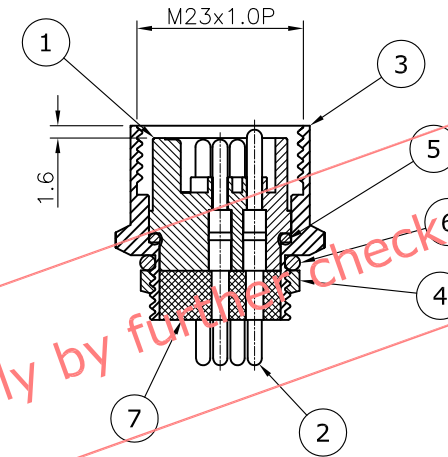
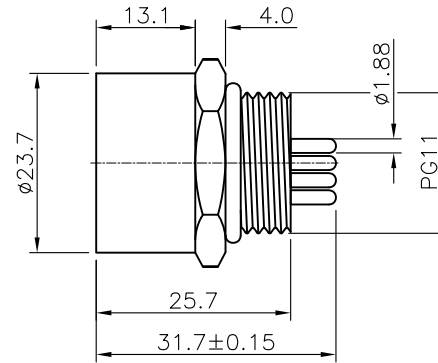
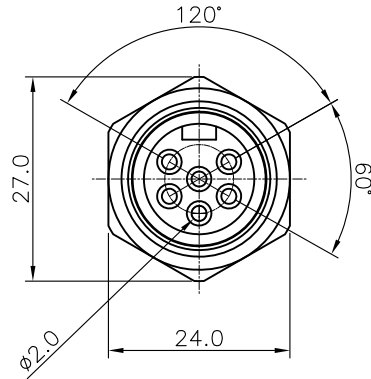


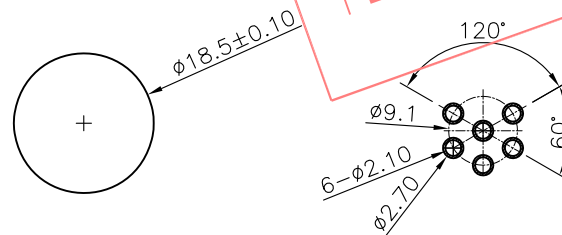
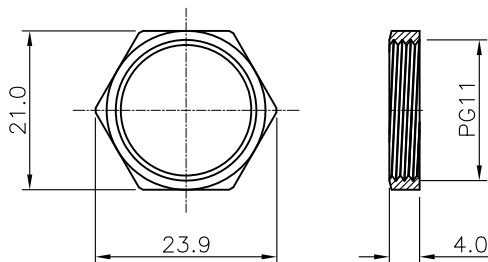
REV.	DESCRIPTION	DRAWN	DATE
1	INITIAL RELEASE	FROS	2016/12/07

SPECIFICATION:

1. Current Rating: 20A
2. Voltage Rating: 250V
3. Water Proof: IP68
4. Operating Temperature: -40°C~+105°C



「Limited supply by future check with us.」



Panel cut out

Recommended Layout

NO.	PART NAME	DESCRIPTION
7	EPOXY	
6	O-RING B	EPDM, Black
5	O-RING A	NBR, Black
4	NUT	Brass, Nickel plating
3	SHELL	Brass, Nickel plating
2	CONTACT	Brass, Gold plating over Nickel
1	HOUSING	PBT, UL94V-0, Yellow

UNLESS OTHERWISE SPECIFIED TOLERANCE					
UNIT:	DECIMAL	LINEAR	ANGLES		
mm	X.	±0.50	±5°	WWW.ATTEND.COM.TW	
	X.X	±0.25	±3°		
	X.XX	±0.12	±1°		
DRAWN	Fros	2016/12/07	DRAWN NAME: M23 A-Code Receptacle, 6Pin Male Straight PCB Type, Rear Fastened		
CHECKED	Tim	2016/12/07	PRODUCT NO. 221A-06MSR		
APPROVED	Ken	2016/12/07	FILE NAME 221A-06MSR_B_1		
SCALE	1/1	SHEET	1/1	SIZE	A4