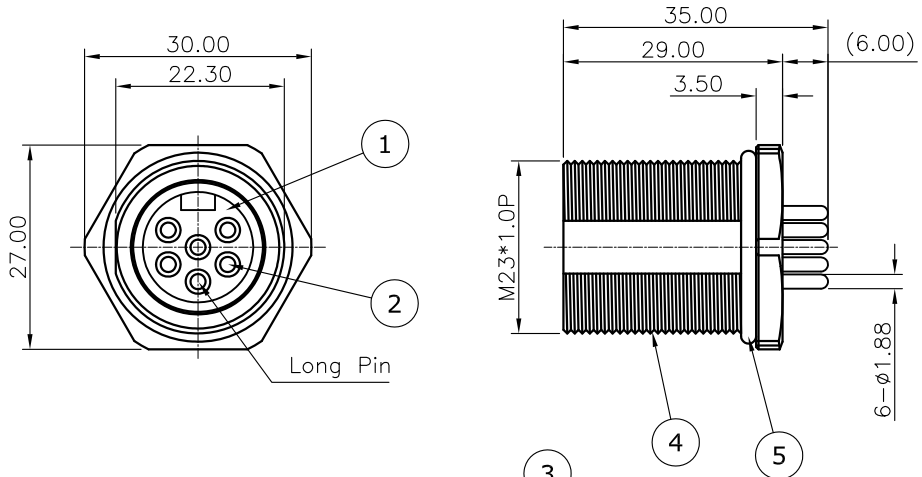


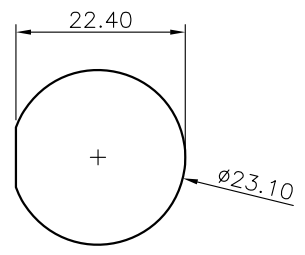
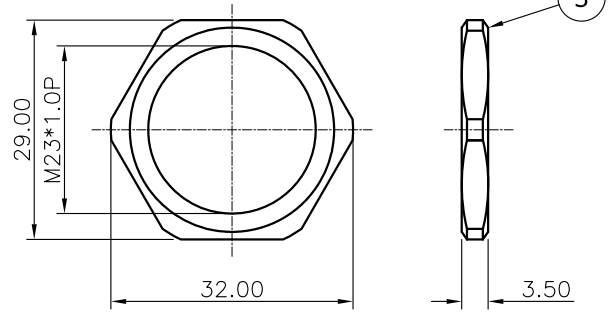
REV.	DESCRIPTION	DRAWN	DATE
1	INITIAL RELEASE	TIM	2016/12/28



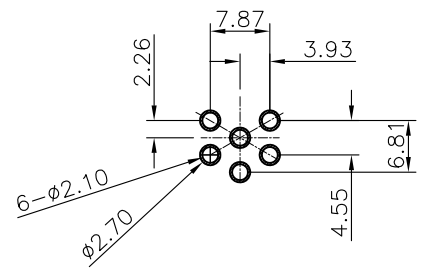
SPECIFICATION:

1. Current Rating: 20A
2. Voltage Rating: 125V
3. Water Proof: IP67
4. Operating Temperature: -40°C~+85°C

「 Limited supply by further check with us. 」




Panel cut out



Recommended Layout

6	O-RING-B	Silicone, Brown
5	O-RING-A	EPDM, Black
4	SHELL	Brass, Nickel plating
3	NUT	Brass, Nickel plating
2	CONTACT	Brass, 30u" Gold Plating over Nickel
1	HOUSING	TPU, UL94V-0, Black
NO.	PART NAME	DESCRIPTION

UNLESS OTHERWISE SPECIFIED TOLERANCE					
UNIT:	DECIMAL	LINEAR	ANGLES		
mm	X.	±0.50	±5°	WWW.ATTEND.COM.TW	
	X.X	±0.25	±3°		
	X.XX	±0.12	±1°		
DRAWN	Tim	2016/12/28	DRAWN NAME:		
CHECKED	Fros	2016/12/28	M23 A-Code Receptacle, 6Pin Male Straight PCB Type, Front Fastened		
APPROVED	Ken	2016/12/28	PRODUCT NO.	221A-06MSF	
SCALE	1/1	SHEET	1/1	SIZE	A4
			FILE NAME	221A-06MSF_B_1	