

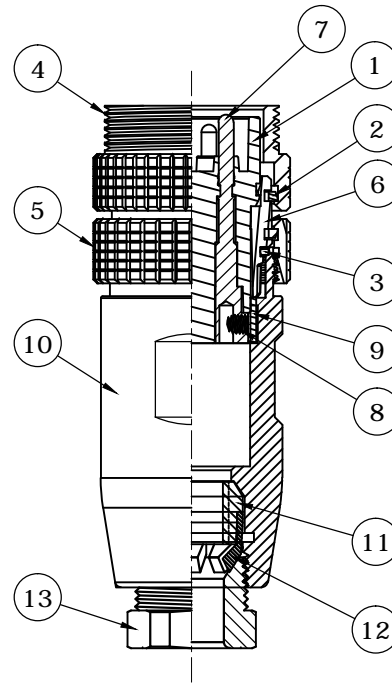
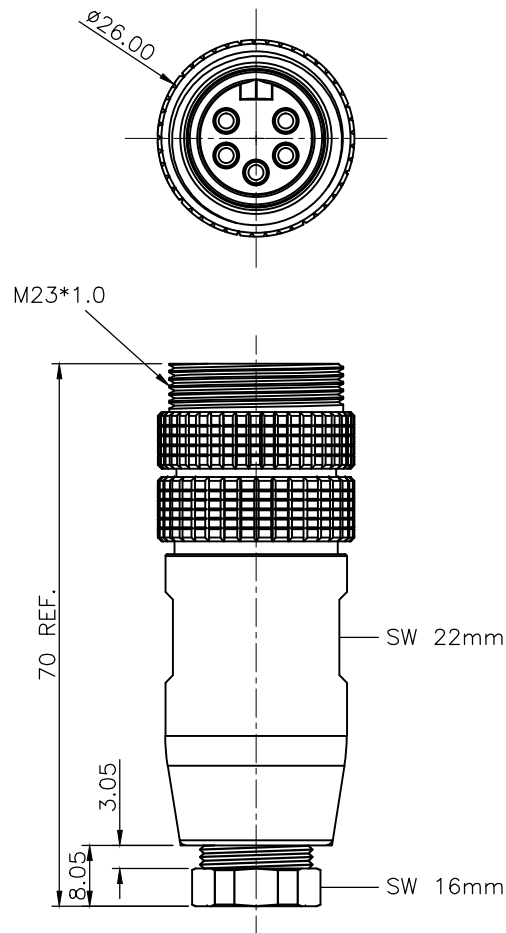
REV.	DESCRIPTION	DRAWN	DATE
1	INITIAL RELEASE	TIM	2017/12/05

**SPECIFICATION:**

1. CURRENT RATING: 20A
2. VOLTAGE: 250V
3. WATER PROOF: IP67
4. OPERATION TEMPERATURE: -40°C TO +85°C

**NOTE:**

Applicable Cable Outer Diameter:  $\phi 7$  to  $\phi 8$ mm



13	NUT C	Aluminium alloy, Nickel plating
12	GLAND CAGE	POM, White
11	GLAND	Silicone, Black
10	BODY	Aluminium alloy, Nickel plating
9	O-RING B	Silicone, Black
8	SCREW	Alloy steel, Nickel plating
7	CONTACT	Brass, Gold plating over Nickel
6	SHELL	Aluminium alloy, Nickel plating
5	NUT B	Brass, Nickel plating
4	NUT A	Brass, Nickel plating
3	O-RING A	NBR, Black
2	SPRING	Stainless steel
1	HOUSING	TPU, UL94V-0, Yellow
NO.	PART NAME	DESCRIPTION

UNLESS OTHERWISE SPECIFIED TOLERANCE

UNIT:	DECIMAL	LINEAR	ANGLES
mm	X.	$\pm 0.50$	$\pm 5^\circ$
	X.X	$\pm 0.25$	$\pm 3^\circ$
	X.XX	$\pm 0.12$	$\pm 1^\circ$



WWW.ATTEND.COM.TW

DRAWN	Tim	2017/12/05	DRAWN NAME:	M23 A- Code Plug for Cable, 5Pin Male For Field Installable
CHECKED	Fros	2017/12/05	PRODUCT NO.	221A-05MFO
APPROVED	Ken	2017/12/05	FILE NAME	221A-05MFO_B_1
	SCALE	1/1	SHEET	1/1
			SIZE	A4