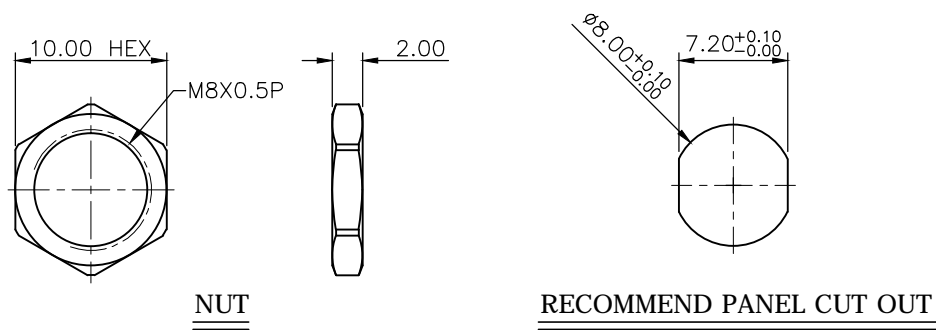
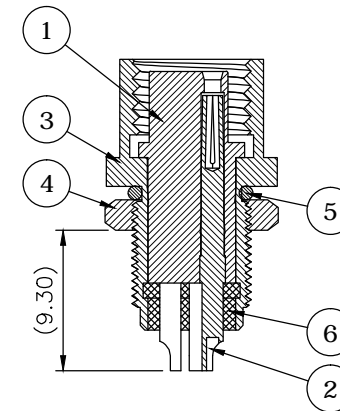
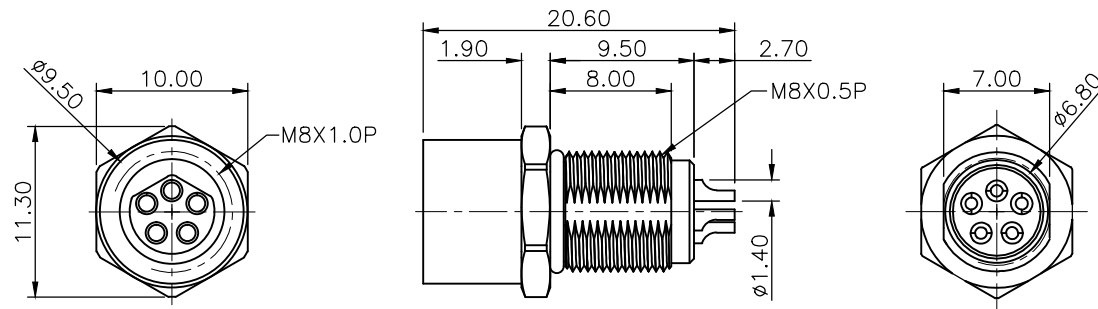



REV.	DESCRIPTION	DRAWN	DATE
1	INITIAL RELEASE	TIM	2016/09/02

SPECIFICATION:

1. ELECTRICAL
 - 1.1 Current Rating: 5A
 - 1.2 Voltage Rating: 125V
 - 1.3 Water Proof: IP67
 - 1.4 Operating Temperature: -20°C~+85°C



6	EPOXY BASE		
5	O-RING	EPDM ,BLACK	
4	NUT	BRASS, NICKEL PLATED	
3	SHELL	BRASS, NICKEL PLATED	
2	CONTACT	Brass, GOLD PLATED UNDER NICKEL	
1	HOUSING	PBT, UL94V-0, BLACK	
NO.	PART NAME	DESCRIPTION	
UNLESS OTHERWISE SPECIFIED TOLERANCE			
UNIT:	DECIMAL	LINEAR	ANGLES
	X.	±0.50	±5°
	X.X	±0.25	±3°
	X.XX	±0.12	±1°
mm			
			
		WWW.ATTEND.COM.TW	
DRAWN	Tim	2016/09/02	DRAWN NAME:
CHECKED	Fros	2016/09/02	M8 B-Code Receptacle,5Pin Female Solder Type Rear Fastened
APPROVED	Ken	2016/09/02	PRODUCT NO. 219B-05FAR
SCALE 2/1		SHEET 1/1	SIZE A4
FILE NAME		219B-05FAR_B_1	