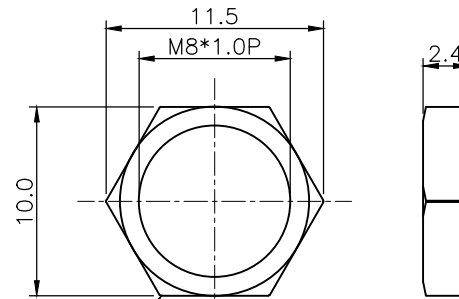
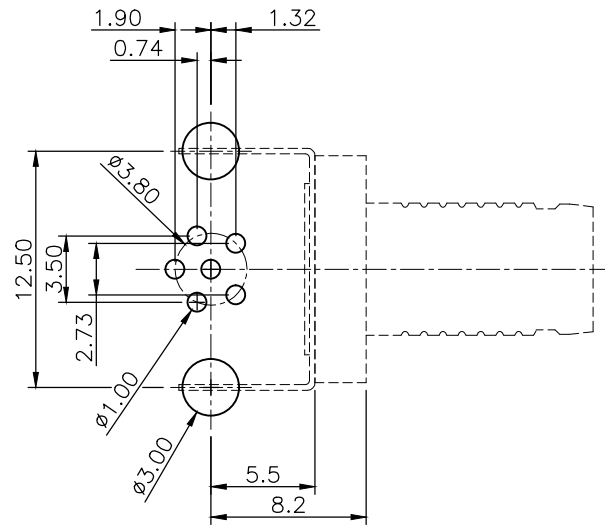
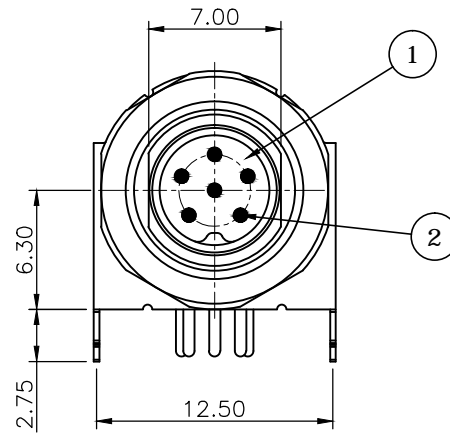
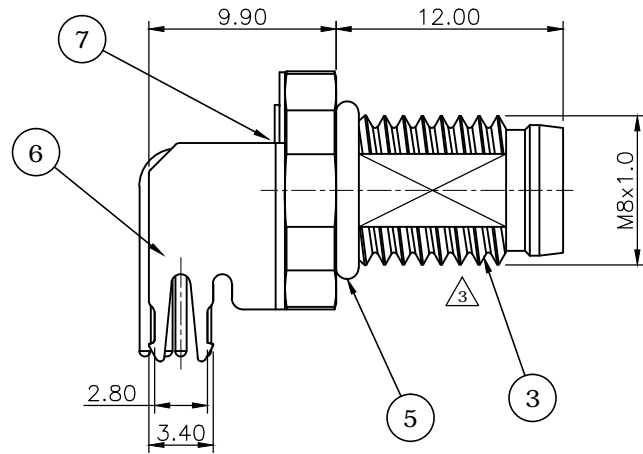


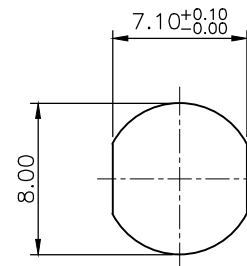
REV.	DESCRIPTION	DRAWN	DATE
1	INITIAL RELEASE	FROS	2018/05/15
2	ECR220421002	Fros	2022/04/21
3	ECR231013001	Tim	2023/10/13

**SPECIFICATION:**

1. CURRENT RATING: 1.5A
2. VOLTAGE: 30VAC/DC
3. WATER PROOF: IPX7
4. OPERATION TEMPERATURE: -40°C TO +85°C



**4** HEX-NUT



PANEL CUT-OUT

**RECOMMENDED LAYOUT (TOP VIEW)**  
**GENERAL TOLERANCE: ±0.1mm**

7	EPOXY BASE	
6	GROUND	PHOSPHOR BRONZE, TIN PLATED
5	O-RING	NBR ,BLACK
4	NUT	BRASS, NICKEL PLATED
3	SHELL	BRASS, NICKEL PLATED
2	CONTACT	BRASS, 10u" GOLD PLATED UNDER NICKEL
1	HOUSING	PA, UL94V-0, BLACK

NO.	PART NAME	DESCRIPTION		
UNLESS OTHERWISE SPECIFIED TOLERANCE				
UNIT:	DECIMAL	LINEAR	ANGLES	
mm	X.	±0.50	±5°	
	X.X	±0.25	±3°	
	X.XX	±0.12	±1°	
www.attend.com.tw				
DRAWN	Fros	2018/05/15	DRAWN NAME:	
CHECKED	Tim	2018/05/15	M8 A-Code Receptacle, 6Pin Male DIP R/A Front Fastened	
APPROVED	Ken	2018/05/15	PRODUCT NO. 219A-06MRF	
SCALE	2.5	SHEET 1/1	SIZE A4	FILE NAME 219A-06MRF_B_3

