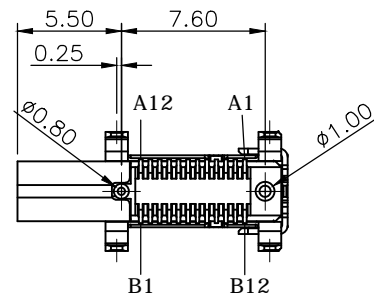
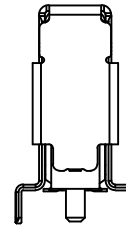
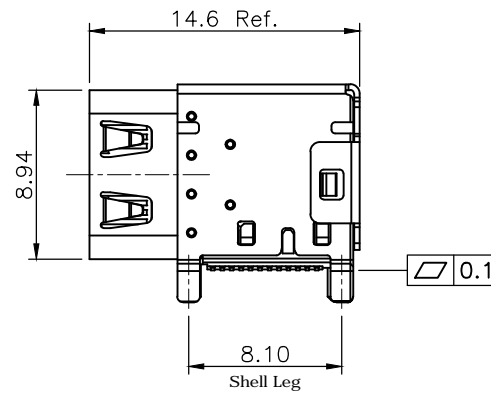
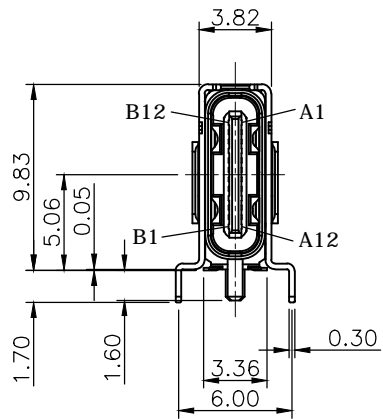
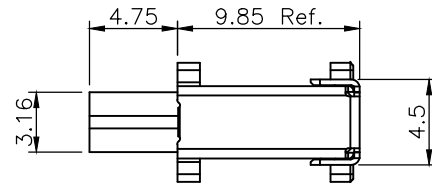
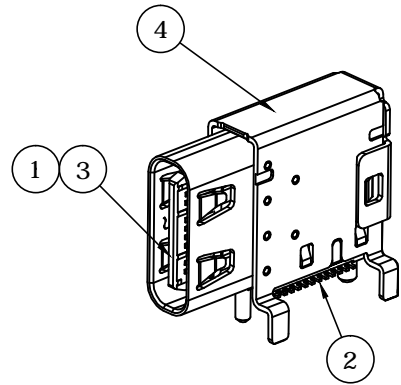



REV.	DESCRIPTION	DRAWN	DATE
1	INITIAL RELEASE	FROS	2020/11/10

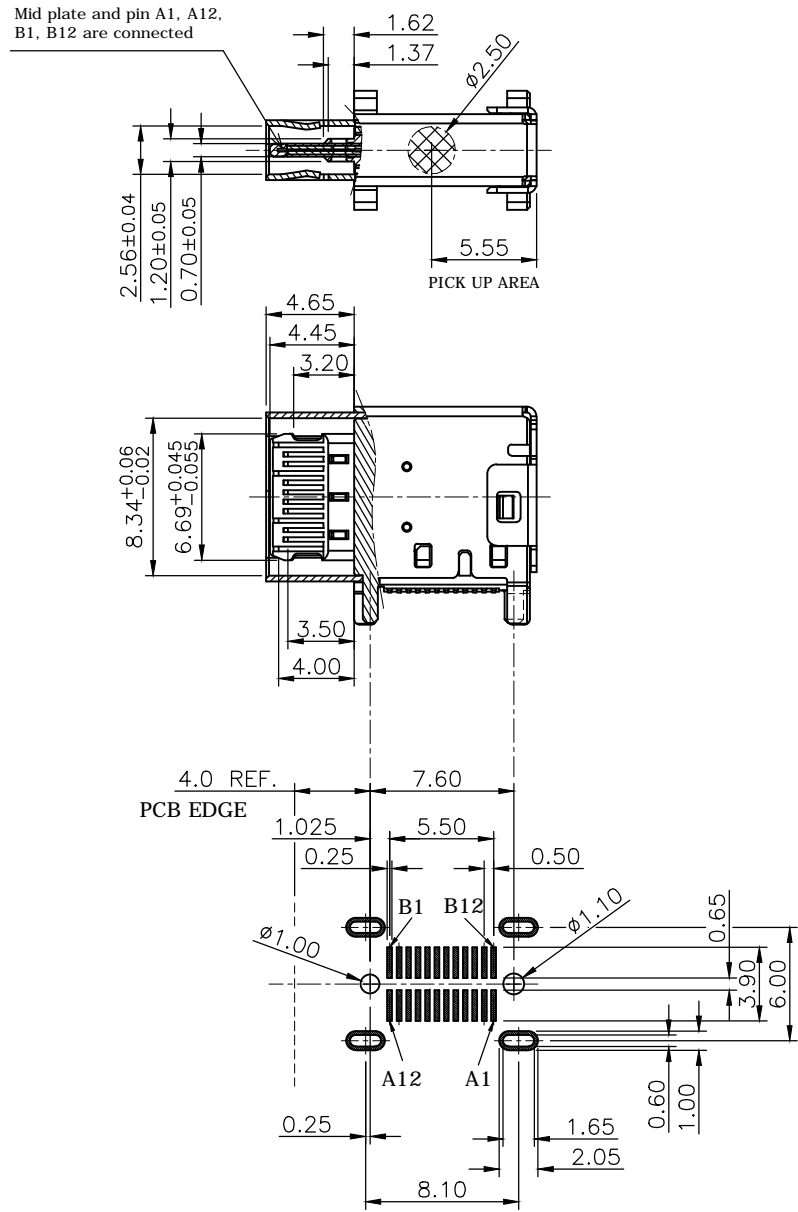
SPECIFICATION:

1. ELECTRICAL
 - 1.1 Current Rating: 5A MAX.
 - 1.2 Voltage Rating: 20V DC
 - 1.3 Contact Resistance: 40mΩ
 - 1.4 Insulation Resistance: 100MΩ
 - 1.5 Dielectric Withstanding Voltage: 100VAC
2. MECHANICAL
 - 2.1 Durability: 10,000 Cycle
 - 2.2 Insertion Force: 5N to 20N
 - 2.3 Extraction Force: 8N to 20N
3. ENVIRONMENTAL
 - 3.1 Operating temperature range: -40°C~+85°C
4. SOLDER ABILITY
 - 4.1 Recommended IR Reflow(Wave Soldering) Temperature: 260°C



4	SHELL	Stainless steel, nickel plating	
3	MID PLATE	Stainless steel, nickel plating	
		Copper alloy, Gold plating on contact area, G/F on solder area, Nickel under plating	
2	CONTACT		
1	INSULATOR	LCP, UL94V-0, Black	
NO. PART NAME		DESCRIPTION	
UNLESS OTHERWISE SPECIFIED TOLERANCE			
UNIT:	DECIMAL	LINEAR	ANGLES
mm	X.	±0.50	±5°
	X.X	±0.25	±3°
	X.XX	±0.12	±1°
			 www.attend.com.tw
DRAWN	Fros	2020/11/10	DRAWN NAME:
CHECKED	Tim	2020/11/10	USB Type C Flank Receptacle T/H w/SMD type, G/F Reel
APPROVED	Ken	2020/11/10	PRODUCT NO. 217E-BA01
SCALE 2.5		SHEET 1/1	SIZE A4
FILE NAME		217E-BA01_B_1	

REV.	DESCRIPTION	DRAWN	DATE
	SEE SHEET ONE		



PIN ASSIGNMENTS:

PIN NUMBER	SIGNAL NAME	PIN NUMBER	SIGNAL NAME
A1	GND	B12	GND
A2	SSTXp1	B11	SSRXp1
A3	SSTXn1	B10	SSRXn1
A4	VBUS	B9	VBUS
A5	CC1	B8	SBU2
A6	Dp1	B7	Dn2
A7	Dn1	B6	Dp2
A8	SBU1	B5	CC2
A9	VBUS	B4	VBUS
A10	SSRXn2	B3	SSTXn2
A11	SSRXp2	B2	SSTXp2
A12	GND	B1	GND

UNLESS OTHERWISE SPECIFIED TOLERANCE

UNIT:	DECIMAL	LINEAR	ANGLES
mm	X.	± 0.50	$\pm 5^\circ$
	X.X	± 0.25	$\pm 3^\circ$
	X.XX	± 0.12	$\pm 1^\circ$



www.attend.com.tw

DRAWN	Fros	2020/11/10	DRAWN NAME:
CHECKED	Tim	2020/11/10	USB Type C Flank Receptacle T/H w/SMD type, G/F Reel
APPROVED	Ken	2020/11/10	PRODUCT NO. 217E-BA01
SCALE	2.5	SHEET 1/1	SIZE A4
FILE NAME	217E-BA01_B_1		