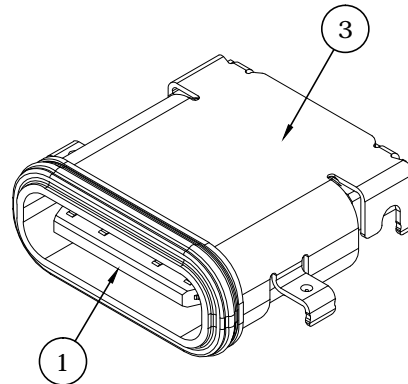
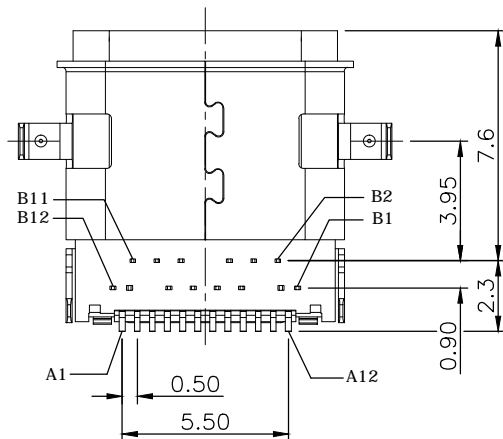
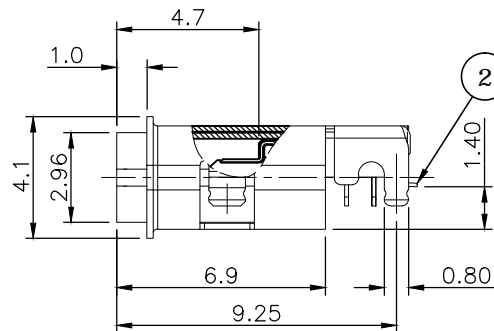
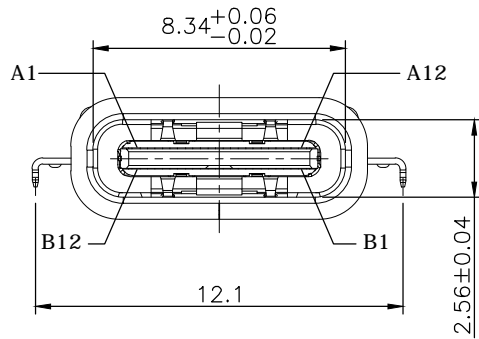
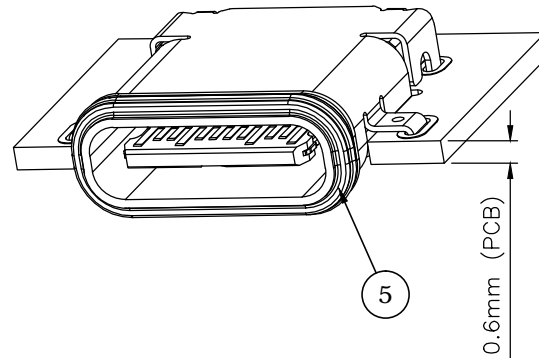
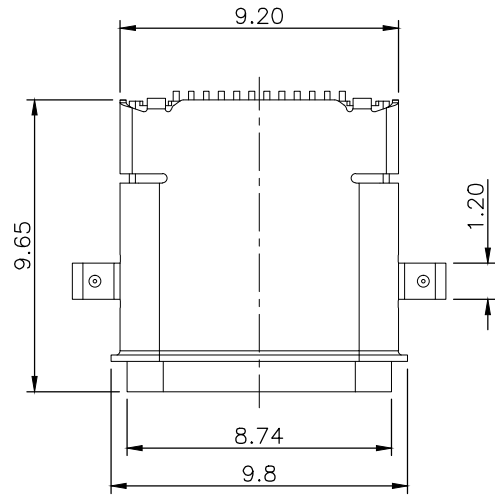


| REV. | DESCRIPTION     | DRAWN | DATE       |
|------|-----------------|-------|------------|
| 1    | INITIAL RELEASE | TIM   | 2023/10/17 |



**SPECIFICATION:**

**1. ELECTRICAL**

- 1.1 Current Rating: 5A (VBUS 1.5A, GND 1.25A Max. Other Pin 0.25A)
- 1.2 Voltage Rating: 20V AC/DC
- 1.3 Contact Resistance: 40mΩ
- 1.4 Insulation Resistance: 100MΩ
- 1.5 Dielectric Withstanding Voltage: 100VAC

**2. MECHANICAL**

- 2.1 Durability: 10,000 Cycle
- 2.2 Mating Force: 5N to 20N
- 2.3 Un-mating Force: 8N to 20N

**3. ENVIRONMENTAL**

- 3.1 Operating temperature range: -40°C to +85°C
- 3.2 Storage temperature range: -40°C to +85°C

**4. SOLDER ABILITY**

- 4.1 Recommended IR Reflow Temperature: 260°C

This part is a connector only, it should be used together with O-RING P/N: 217-0007

|     |             |                                      |
|-----|-------------|--------------------------------------|
| 5   | Accessories | O-ring                               |
| 4   | EPOXY       | EPOXY, Black                         |
| 3   | Shell       | Stainless steel, Nickel plating      |
| 2   | Contact     | Copper, 15u"Gold plating over Nickel |
| 1   | Insulator   | Thermoplastic, Black                 |
| NO. | PART NAME   | DESCRIPTION                          |

UNLESS OTHERWISE SPECIFIED TOLERANCE

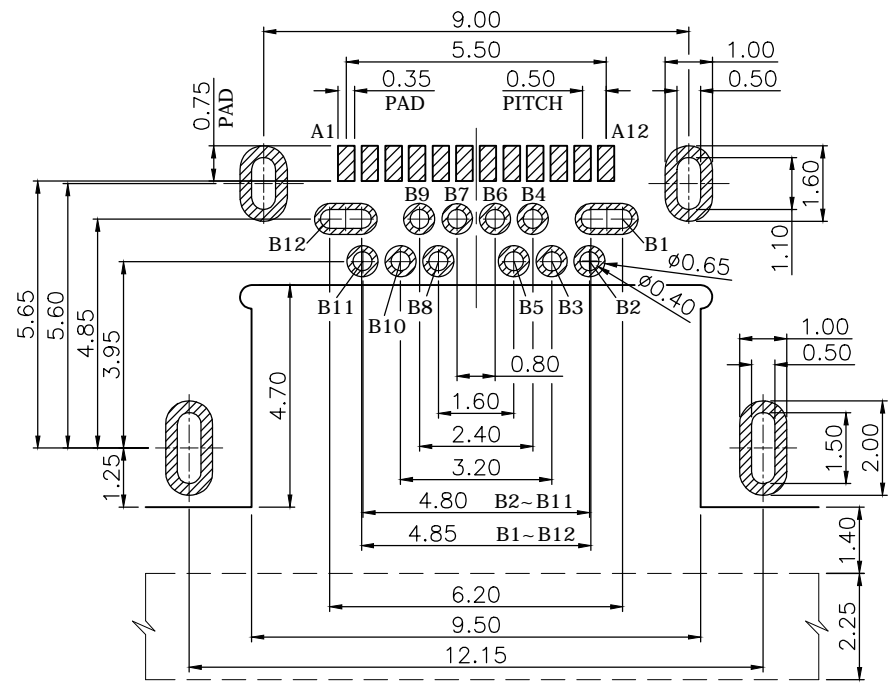
| UNIT: | DECIMAL | LINEAR | ANGLES |
|-------|---------|--------|--------|
| mm    | X.      | ±0.50  | ±5°    |
|       | X.X     | ±0.25  | ±3°    |
|       | X.XX    | ±0.12  | ±1°    |



www.attend.com.tw

|          |      |            |             |  |    |           |               |
|----------|------|------------|-------------|--|----|-----------|---------------|
| DRAWN    | Tim  | 2023/10/17 | DRAWN NAME: | USB Type C Mid-Mount Hybrid Receptacle<br>Water Proof IPX7, 15u", Reel |    |           |               |
| CHECKED  | Fros | 2023/10/17 |             |  |    |           |               |
| APPROVED | Ken  | 2023/10/17 | PRODUCT NO. | 217C-AE05  |    |           |               |
| SCALE    | 4/1  | SHEET      | 1/3         | SIZE   | A4 | FILE NAME | 217C-AE05_B_1 |


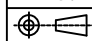
|      |               |       |      |
|------|---------------|-------|------|
| REV. | DESCRIPTION   | DRAWN | DATE |
|      | see sheet one |       |      |



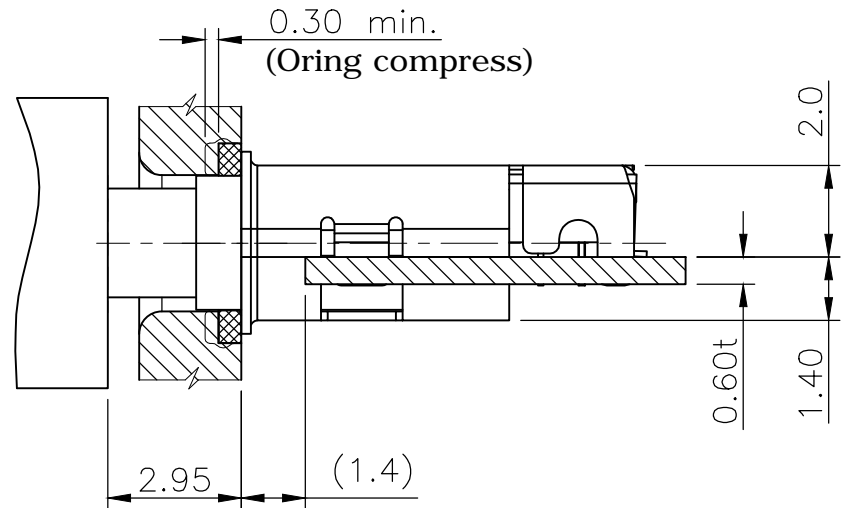
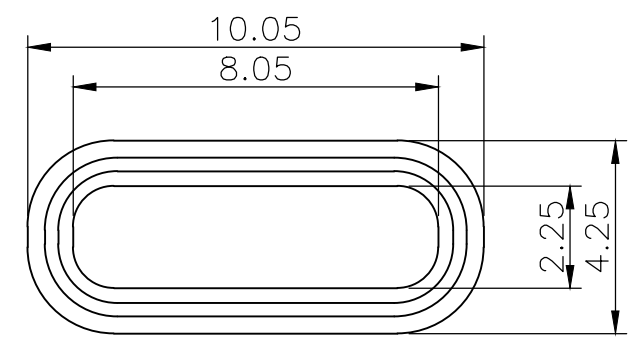
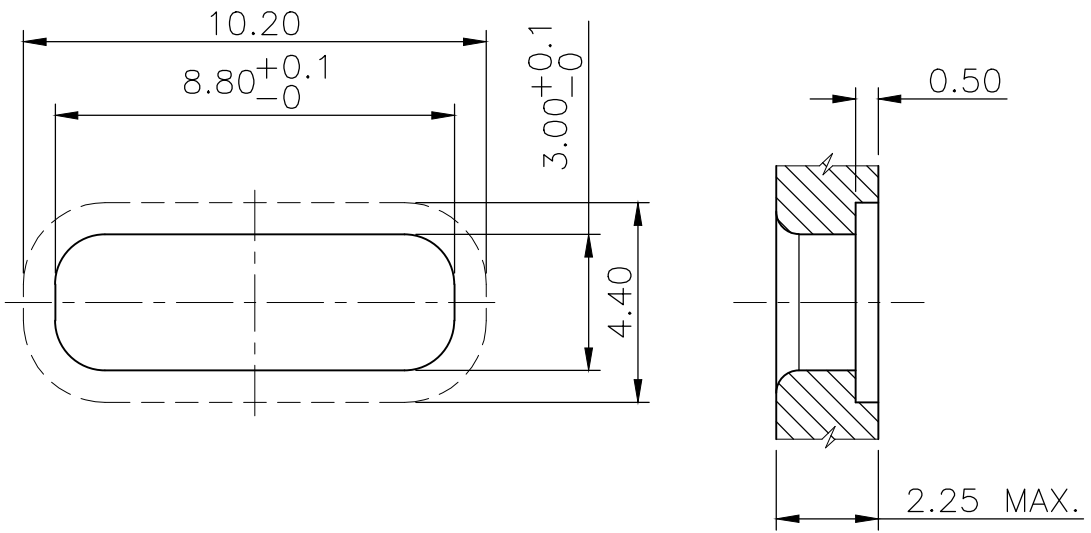
**PIN ASSIGNMENTS:**

| PIN NUMBER | SIGNAL NAME | PIN NUMBER | SIGNAL NAME |
|------------|-------------|------------|-------------|
| A1         | GND         | B12        | GND         |
| A2         | SSTXp1      | B11        | SSRXp1      |
| A3         | SSTXn1      | B10        | SSRXn1      |
| A4         | VBUS        | B9         | VBUS        |
| A5         | CC1         | B8         | SBU2        |
| A6         | Dp1         | B7         | Dn2         |
| A7         | Dn1         | B6         | Dp2         |
| A8         | SBU1        | B5         | CC2         |
| A9         | VBUS        | B4         | VBUS        |
| A10        | SSRXn2      | B3         | SSTXn2      |
| A11        | SSRXp2      | B2         | SSTXp2      |
| A12        | GND         | B1         | GND         |

**RECOMMEND LAYOUT ( TOP VIEW )**  
**GENERAL TOLERANCE: ±0.05**


|   |              |            |  |  |
|---|--------------|------------|--|--|
| UNLESS OTHERWISE SPECIFIED TOLERANCE  |              |            |  | <br>www.attend.com.tw |
| UNIT:   | DECIMAL      | LINEAR     | ANGLES   |  |
| mm  | X.           | ±0.50      | ±5°  |  |
|   | X.X          | ±0.25      | ±3°  |  |
|   | X.XX         | ±0.12      | ±1°  |  |
| DRAWN   | Tim          | 2023/10/17 | DRAWN NAME:  |  |
| CHECKED   | Fros         | 2023/10/17 | USB Type C Mid-Mount Hybrid Receptacle<br>Water Proof IPX7, 15u", Reel |  |
| APPROVED  | Ken          | 2023/10/17 | PRODUCT NO. 217C-AE05  |  |
|  SCALE<br>6.25 | SHEET<br>2/3 | SIZE<br>A4 | FILE NAME<br>217C-AE05_B_1   |  |

|      |               |       |      |
|------|---------------|-------|------|
| REV. | DESCRIPTION   | DRAWN | DATE |
|      | see sheet one |       |      |



**ORING**  
Accessories

RECOMMEND PANEL CUT-OUT

|                                      |         |               |  |  |    |
|--------------------------------------|---------|---------------|--|--|----|
| UNLESS OTHERWISE SPECIFIED TOLERANCE |         |               |  | <br>www.attend.com.tw |    |
| UNIT:                                | DECIMAL | LINEAR        | ANGLES   |  |    |
| mm                                   | X.      | ±0.50         | ±5°  |  |    |
|                                      | X.X     | ±0.25         | ±3°  |  |    |
|                                      | X.XX    | ±0.12         | ±1°  |  |    |
| DRAWN                                | Tim     | 2023/10/17    | DRAWN NAME:  |  |    |
| CHECKED                              | Fros    | 2023/10/17    | USB Type C Mid-Mount Hybrid Receptacle<br>Water Proof IPX7, 15u", Reel |  |    |
| APPROVED                             | Ken     | 2023/10/17    | PRODUCT NO.  | 217C-AE05  |    |
| SCALE                                | 6.25    | SHEET         | 3/3  | SIZE   | A4 |
| FILE NAME                            |         | 217C-AE05_B_1 |  |  |    |