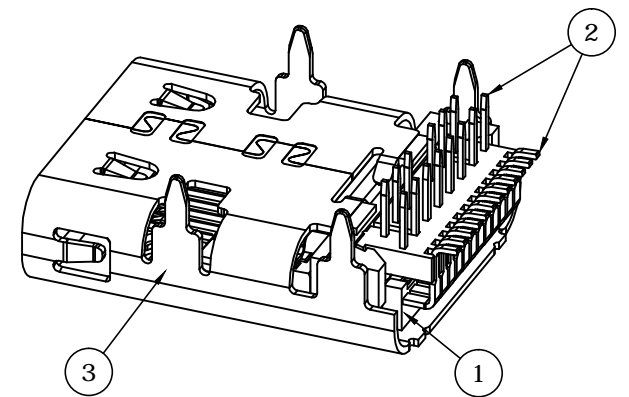
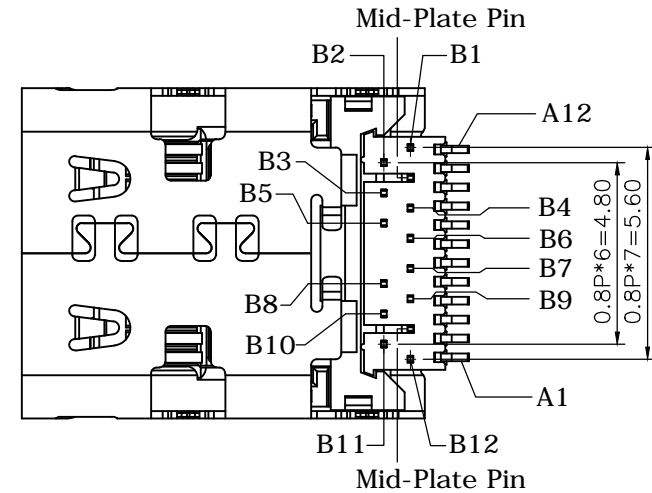
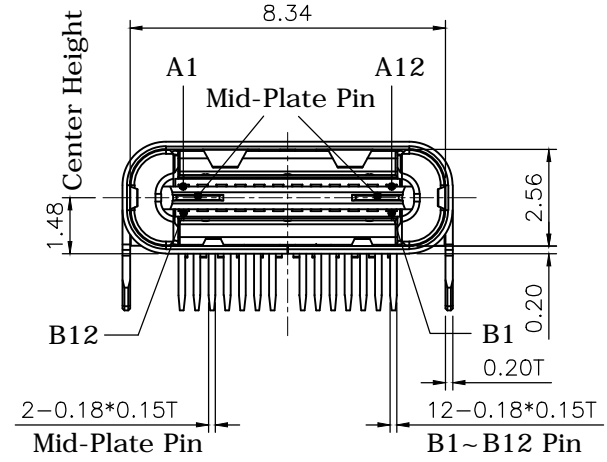
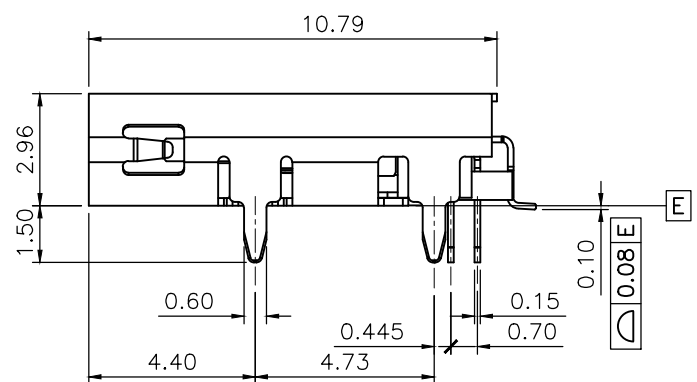
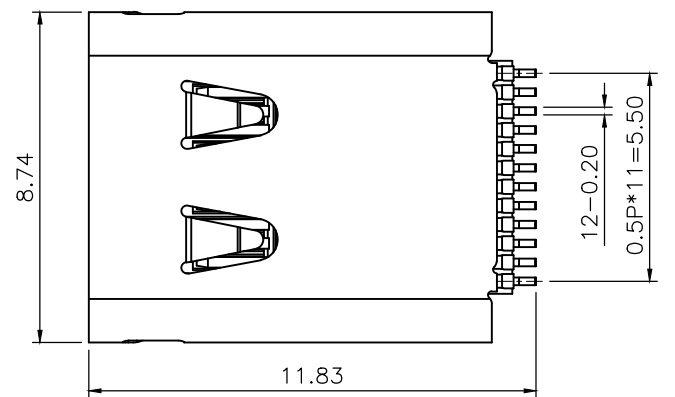
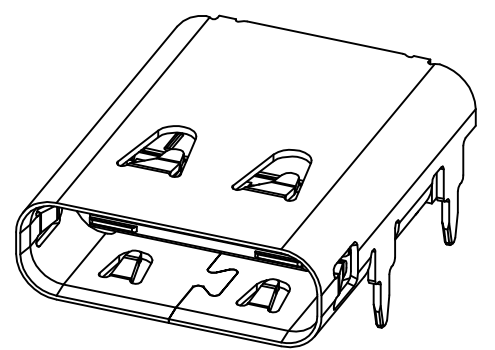


REV.	DESCRIPTION	DRAWN	DATE
2	REVISED BY ECN160121001	FROS	2016/01/28
3	REVISED BY ECR1900008	FROS	2019/05/22
4	REVISED BY ECR2000007	FROS	2020/06/01

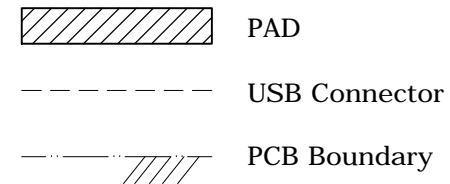
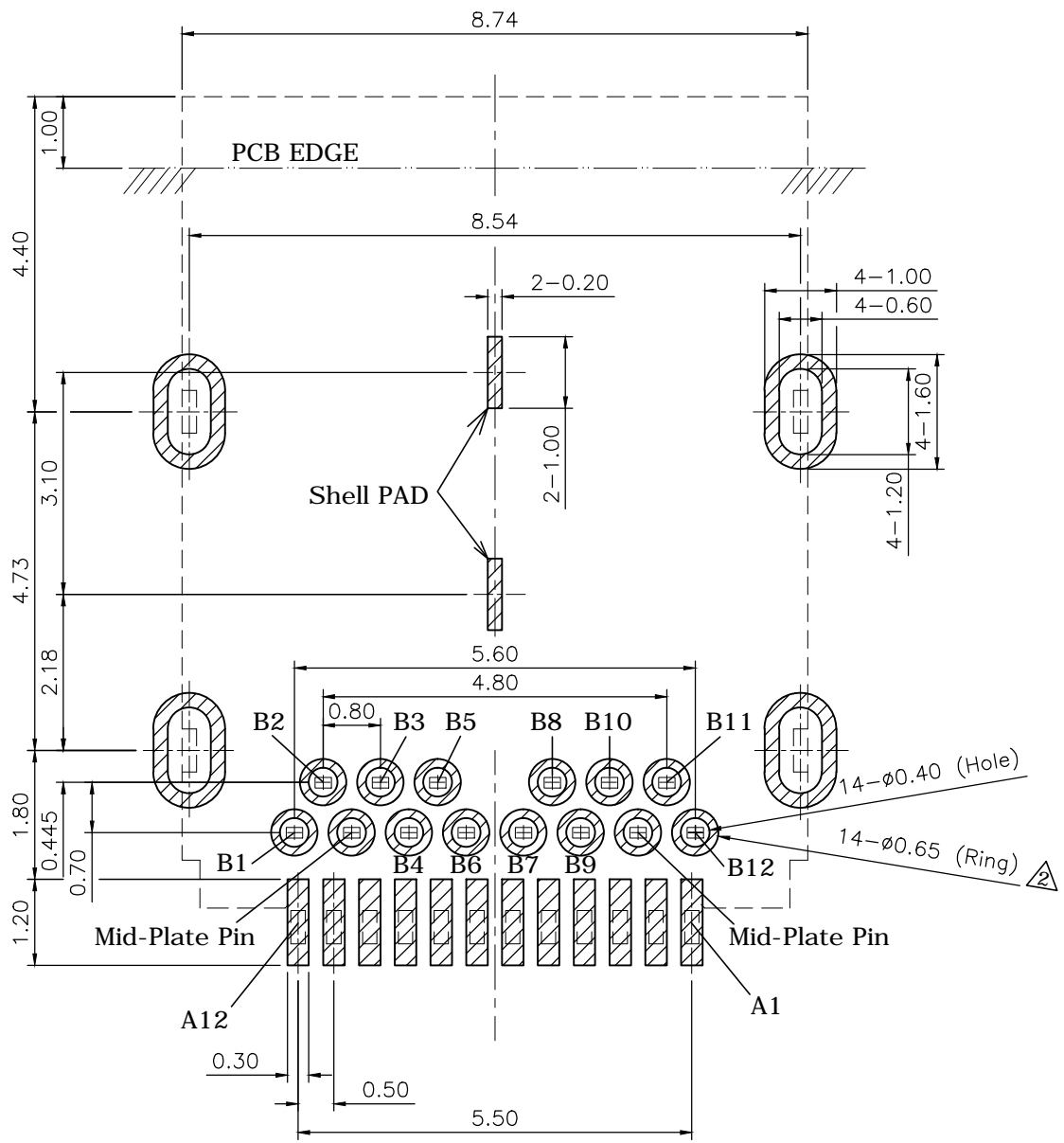
△ SPECIFICATION:

1. ELECTRICAL
 - 1.1 Current Rating: 5A MAX.
 - 1.2 Voltage Rating: 20V AC/DC
 - 1.3 Contact Resistance: 40mΩ
 - 1.4 Insulation Resistance: 100MΩ
 - 1.5 Dielectric Withstanding Voltage: 100VAC
2. MECHANICAL
 - 2.1 Durability: 10,000 Cycle
 - 2.2 Insertion Force: 5N to 20N
 - 2.3 Extraction Force: 8N to 20N
3. ENVIRONMENTAL
 - 3.1 Operating temperature range: -40°C~+105°C
4. SOLDER ABILITY
 - 4.1 Recommended IR Reflow(Wave Soldering) Temperature: 260°C

3	SHELL	STAINLESS STEEL, 50 TO 100u" NICKEL PLATING	
2	CONTACT	COPPER ALLOY, CONTACT AREA: 30u" Pd-Ni + 2u" Au.	
		SOLDER TAILS: 100u" TO 200u" TIN PLATING	
		UNDER-PLATING: 40u" TO 80u" NICKEL	
1	INSULATOR	HIGH TEMPERATURE THERMOPLASTIC	
NO.	PART NAME	DESCRIPTION	
UNLESS OTHERWISE SPECIFIED TOLERANCE			
UNIT:	DECIMAL	LINEAR	ANGLES
	X.	±0.50	±5°
	X.X	±0.25	±3°
	X.XX	±0.12	±1°
WWW.ATTEND.COM.TW			
DRAWN	Fros	2015/04/23	DRAWN NAME:
CHECKED	Zola	2015/04/23	USB 3.1 C type Hybrid Receptacle, Right-Angle, 2u" Au (30u" Pb-Ni)
APPROVED	Albert	2015/04/23	PRODUCT NO. 217B-AG01
SCALE	5/1	SHEET 1/2	SIZE A4
FILE NAME		217B-AG01_B_4	



REV.	DESCRIPTION	DRAWN	DATE
	SEE SHEET ONE		



PIN ASSIGNMENTS:

PIN NUMBER	SIGNAL NAME	PIN NUMBER	SIGNAL NAME
A1	GND	B12	GND
A2	SSTXp1	B11	SSRXp1
A3	SSTXn1	B10	SSRXn1
A4	VBUS	B9	VBUS
A5	CC1	B8	SBU2
A6	Dp1	B7	Dn2
A7	Dn1	B6	Dp2
A8	SBU1	B5	CC2
A9	VBUS	B4	VBUS
A10	SSRXn2	B3	SSTXn2
A11	SSRXp2	B2	SSTXp2
A12	GND	B1	GND

UNLESS OTHERWISE SPECIFIED TOLERANCE

UNIT:	DECIMAL	LINEAR	ANGLES
mm	X.	±0.50	±5°
	X.X	±0.25	±3°
	X.XX	±0.12	±1°



RECOMMEND LAYOUT (TOP VIEW)
GENERAL TOLERANCE: ±0.05

DRAWN	Fros	2015/04/23	DRAWN NAME:
CHECKED	Zola	2015/04/23	USB 3.1 C Type Hybrid Receptacle, Right-Angle, 2u" Au (30u" Pb-Ni)
APPROVED	Albert	2015/04/23	PRODUCT NO. 217B-AG01
SCALE	10/1	SHEET 2/2	SIZE A4
FILE NAME		217B-AG01_B_4	