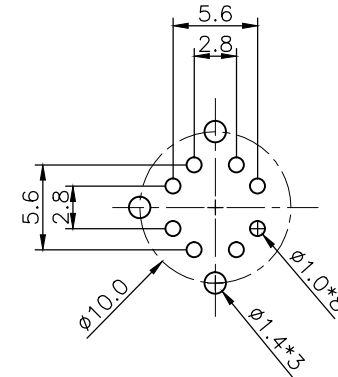
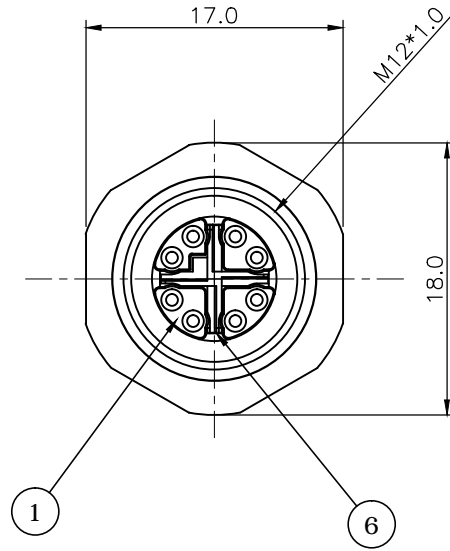
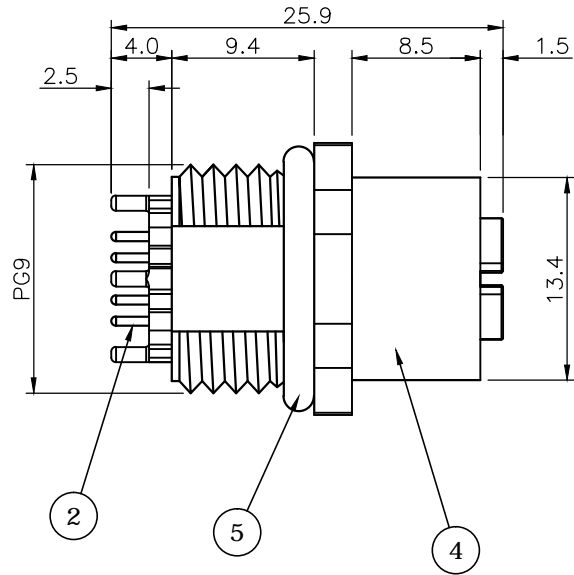


REV.	DESCRIPTION	DRAWN	DATE
1	INITIAL RELEASE	FROS	2015/12/17
2	CORRECTED	TIM	2020/05/07



RECOMMEND LAYOUT

SPECIFICATION:

- △ 1. Current Rating: 0.5A
- △ 2. Voltage Rating: 50VAC/ 60VDC
- 3. Water proof: IPX7
- 4. Operation Temperature: -40°C TO 85°C

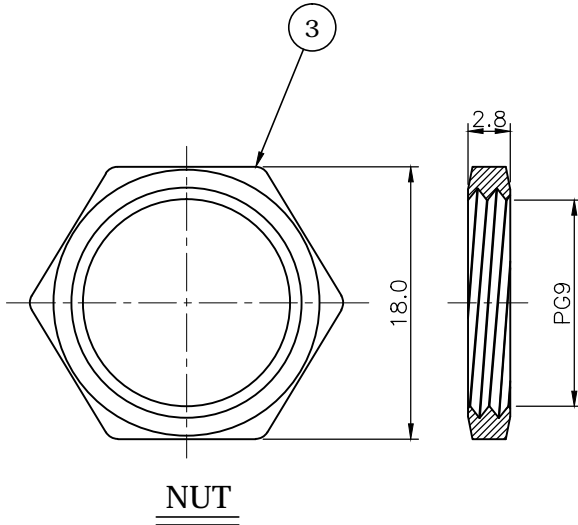
6	X-SHELL	ZINC ALLOY, NICKEL PLATED
5	O-RING	EPDM
4	SHELL	BRASS, NICKEL PLATED
3	NUT	BRASS, NICKEL PLATED
2	CONTACT	BRASS, 10u" GOLD UNDER NICKEL PLATED
1	HOUSING	PA UL94V-0, BLACK
NO.	PART NAME	DESCRIPTION

UNLESS OTHERWISE SPECIFIED TOLERANCE			
UNIT:	DECIMAL	LINEAR	ANGLES
mm	X.	±0.50	±5°
	X.X	±0.25	±3°
	X.XX	±0.12	±1°

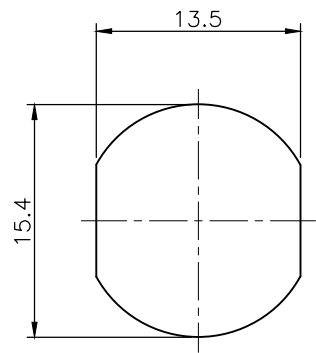


WWW.ATTEND.COM.TW

DRAWN	Fros	2015/12/17	DRAWN NAME:	Water Proof M12 8Pin Socket, X-Code Rear Fastened, 10u" DIP Type			
CHECKED	Amy	2015/12/17					
APPROVED	Ken	2015/12/17	PRODUCT NO.	216X-08FSR			
SCALE	2/1	SHEET	1/1	SIZE	A4	FILE NAME	216X-08FSR_B_2



NUT



RECOMMEND PANEL CUT OUT