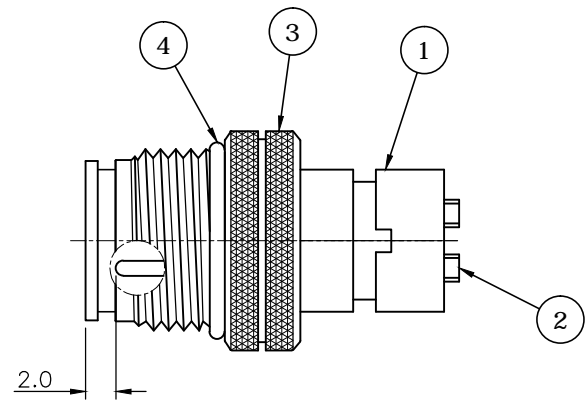
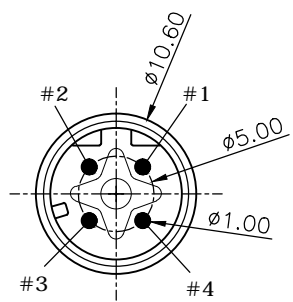


REV.	DESCRIPTION	DRAWN	DATE
1	INITIAL RELEASE	FROS	2018/04/13
2	ECR220421001	TIM	2022/04/21

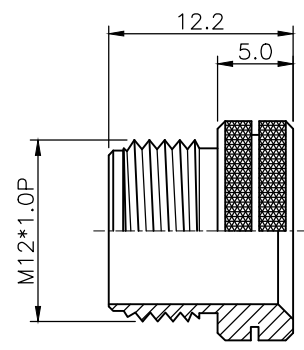
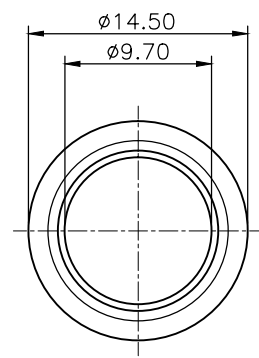
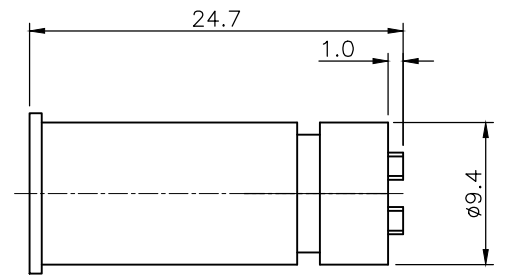


SPECIFICATION:

1. CURRENT RATING: 4A
2. VOLTAGE: 250V
3. WATER PROOF: IPX7
4. OPERATION TEMPERATURE: -40°C TO +85°C



D-Coding, Male Pin



5	EPOXY	
4	ORING	EPDM
3	NUT	Brass, Nickel plating
2	CONTACT	Brass, 10u" Gold plating over Nickel
1	HOUSING	PBT, UL94V-0, Black

NO.		PART NAME		DESCRIPTION	
UNLESS OTHERWISE SPECIFIED TOLERANCE					
UNIT:	DECIMAL	LINEAR	ANGLES		
	mm	X. ±0.50	±5°		
		X.X ±0.25	±3°		
		X.XX ±0.12	±1°		
DRAWN	Fros	2018/04/13	DRAWN NAME:		
CHECKED	Tim	2018/04/13	M12 D-Code Plug for Cable, 4 Pin Male For Overmold with Cable		
APPROVED	Ken	2018/04/13	PRODUCT NO.	216D-04MO0	
SCALE		SHEET	SIZE	FILE NAME	
1/1		1/1	A4	216D-04MO0_B_2	



www.attend.com.tw