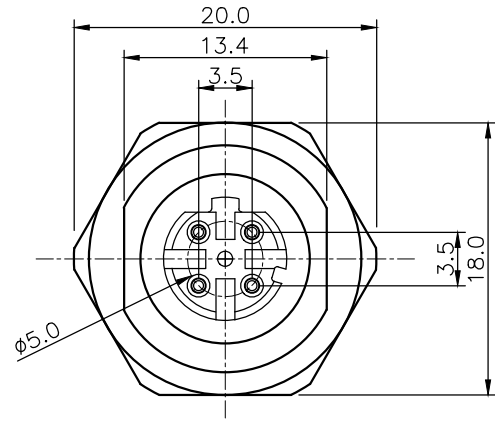
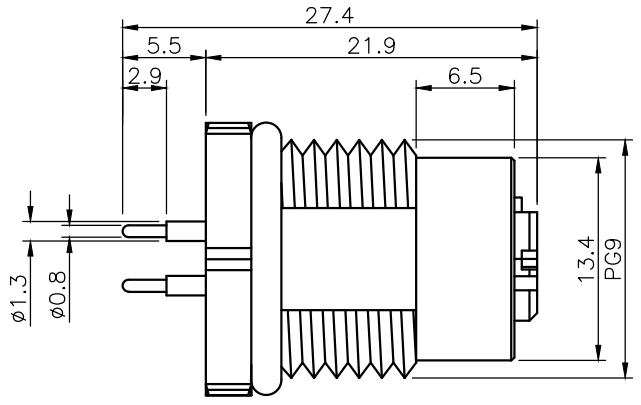
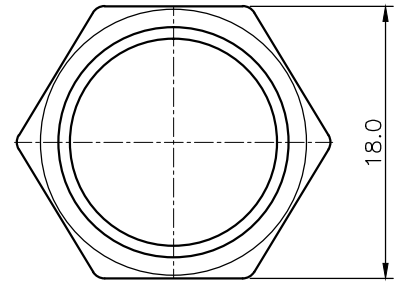


REV.	DESCRIPTION	DRAWN	DATE
1	INITIAL RELEASE	FROS	2015/06/16
2	ECR220421001	TIM	2022/04/21

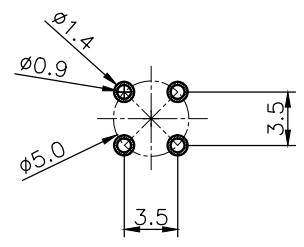
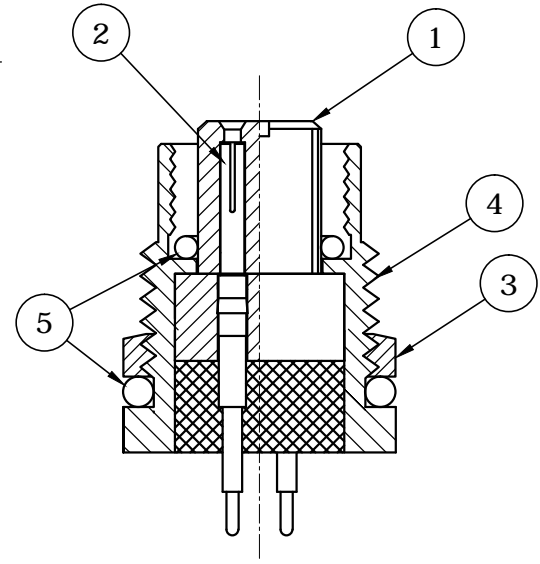
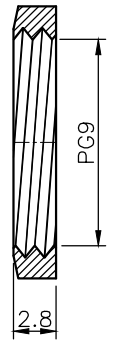


BODY

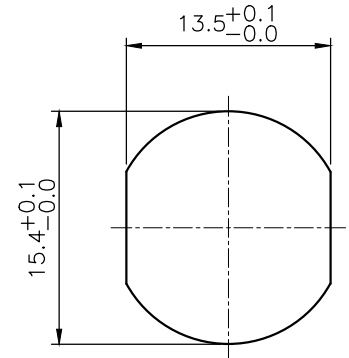
- SPECIFICATION:**
- CURRENT RATING: 4A
 - VOLTAGE: 250V
 - WATER PROOF: IPX7
 - OPERATION TEMPERATURE: -40°C TO +85°C



NUT



RECOMMEND PCB LAYOUT



RECOMMEND PANEL CUT OUT

5	O-RING	EPDM
4	SHELL	BRASS, NICKEL PLATED
3	NUT	BRASS, NICKEL PLATED
2	CONTACT	BRASS, 10u" GOLD PLATED UNDER NICKEL
1	HOUSING	PBT, UL94V-0, BLACK
NO	PART NAME	DESCRIPTION

UNLESS OTHERWISE SPECIFIED TOLERANCE

UNIT:	DECIMAL	LINEAR	ANGLES
mm	X.	±0.50	±5°
	X.X	±0.25	±3°
	X.XX	±0.12	±1°



WWW.ATTEND.COM.TW

DRAWN	Fros	2015/06/16	DRAWN NAME:	M12 4P FEMALE, DIP TYPE WATERPROOF CONNECTOR	
CHECKED	Zola	2015/06/16	PRODUCT NO.	216D-04FSF	
APPROVED	Ken	2015/06/16	FILE NAME	216D-04FSF_B_2	
SCALE	2/1	SHEET	1/1	SIZE	A4