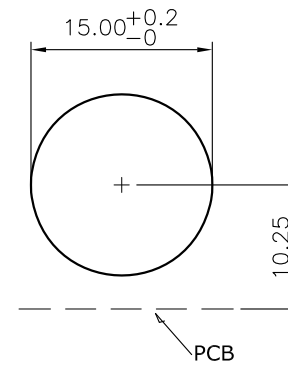
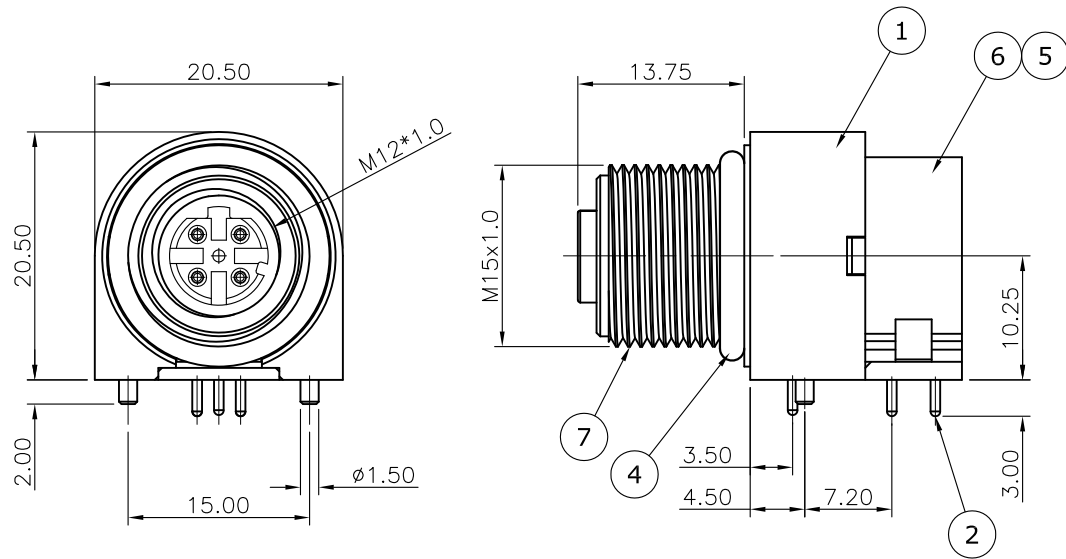


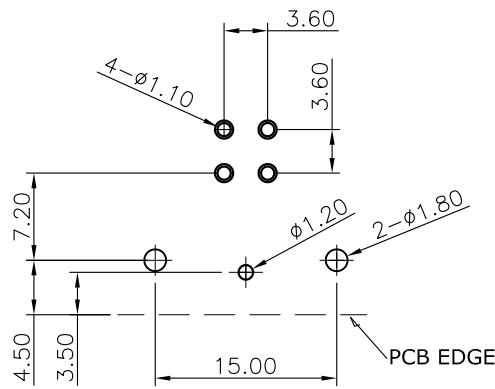
REV.	DESCRIPTION	DRAWN	DATE
1	INITIAL RELEASE	FROS	2018/11/19

NOTE:

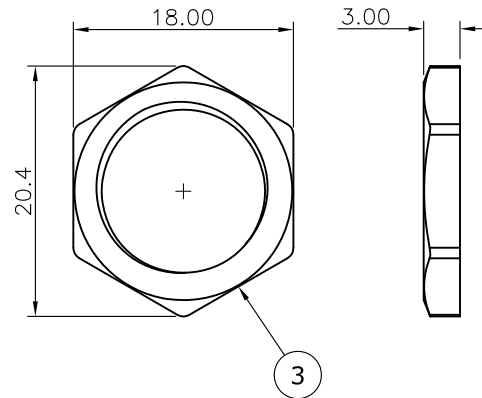
1. Current Rating: 4A
2. Voltage Rating: 250V
3. Water Proof: IPX7
4. Operation temperature: -40°C~85°C





PANEL CUT OUT



RECOMMENDED LAYOUT
GENERAL TOLERANCE: ± 0.05 mm



NO.	PART NAME	DESCRIPTION
7	Shell	Brass, Nickel plating
6	Base	PBT UL94V-0, Black
5	Back Housing	PBT UL94V-0, Black
4	O-Ring	NBR, Black
3	Nut	Brass
2	Contact	Brass, Gold Flash under Nickel plating
1	Cover	PBT UL94V-0, Black

UNLESS OTHERWISE SPECIFIED TOLERANCE					
UNIT:	DECIMAL	LINEAR	ANGLES		
mm	X.	± 0.50	$\pm 5^\circ$	www.attend.com.tw	
	X.X	± 0.25	$\pm 3^\circ$		
	X.XX	± 0.12	$\pm 1^\circ$		
DRAWN	Fros	2018/11/19	DRAWN NAME: M12 D- Code Receptacle, 4Pin Female R/A DIP Type Front Fastened		
CHECKED	Tim	2018/11/19	PRODUCT NO. 216D-04FRF		
APPROVED	Ken	2018/11/19	FILE NAME 216D-04FRF_B_1		
	SCALE 1.6/1	SHEET 1/1	SIZE A4		