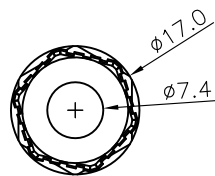
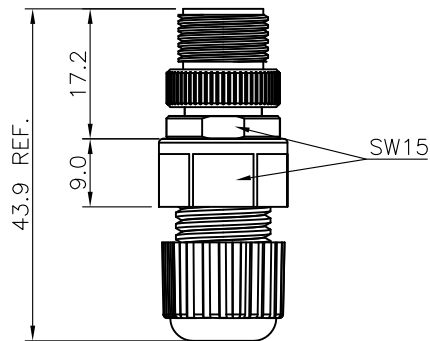
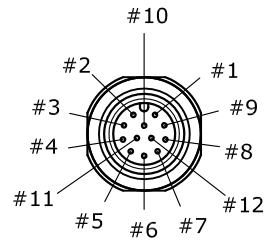


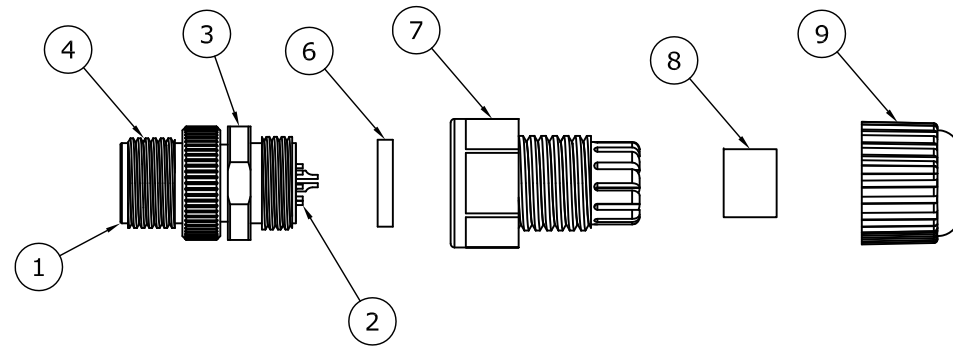
REV.	DESCRIPTION	DRAWN	DATE
1	INITIAL RELEASE	FROS	2023/10/23

SPECIFICATION:


1. Current Rating: 1.5A
2. Voltage Rating: 30V
3. Waterproof: IPX7 or IP67
4. Operating temperature range: -40°C~+85°C



Recommend cable OD=5.0~6.8mm



NO.	PART NAME	DESCRIPTION
9	SEALING NUT	PA66
8	SEAL	Silicone, gray
7	CLAMP RING	PA66
6	GASKET	Silicone, gray
5	EPOXY	black
4	NUT	Aluminum alloy, sating nickel plated
3	SHELL	Brass, nickel plated
2	CONTACT	Brass, gold flash plating over Nickel
1	HOUSING	PBT, UL94V-0, Black

UNLESS OTHERWISE SPECIFIED TOLERANCE				 www.attend.com.tw	
UNIT:	DECIMAL	LINEAR	ANGLES		
mm	X.	±0.50	±5°		
	X.X	±0.25	±3°		
	X.XX	±0.12	±1°		
DRAWN	Fros	2023/10/23	DRAWN NAME:		
CHECKED	Tim	2023/10/23	M12 A- Code Plug for Cable, 12 Pin Male For Field Installable, Plastic, G/F		
APPROVED	Ken	2023/10/23	PRODUCT NO.	216A-12MF1	
SCALE	1/1	SHEET	1/1	SIZE	A4
			FILE NAME	216A-12MF1_B_1	