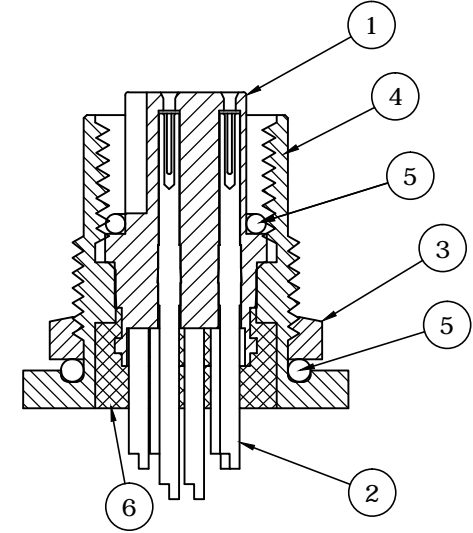
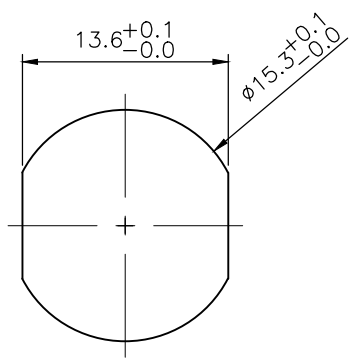
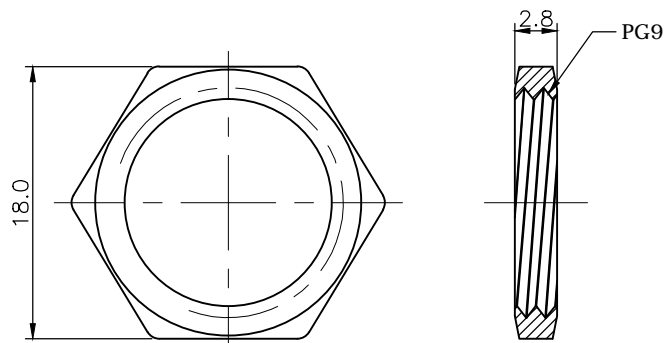
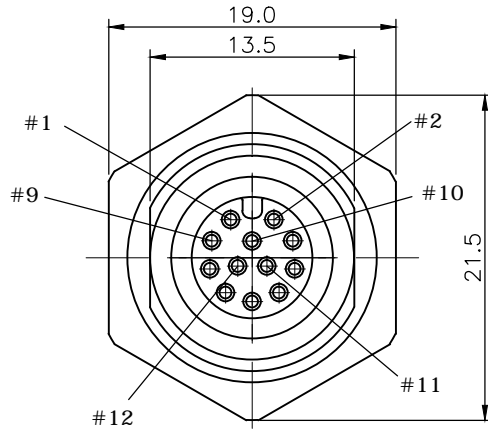
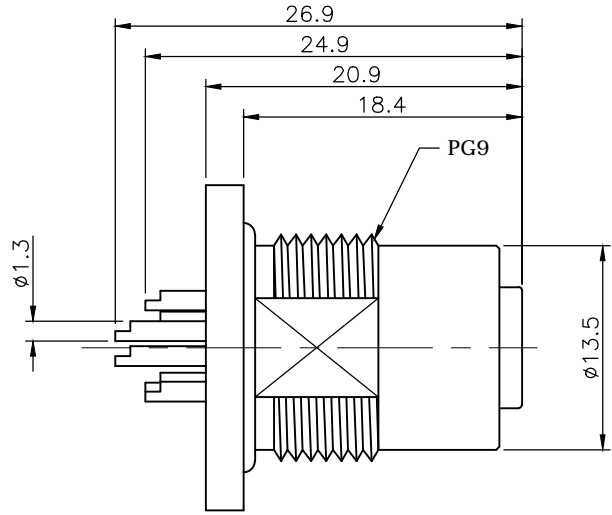


REV.	DESCRIPTION	DRAWN	DATE
1	INITIAL RELEASE	FROS	2018/04/18
2	ECR220421001	TIM	2022/04/21

**SPECIFICATION:**

- CURRENT RATING: 1.5A
- VOLTAGE: 30V
- WATER PROOF: IPX7
- OPERATION TEMPERATURE: -40°C TO +85°C



NUT

PANEL CUT OUT

6	GLUE	EPOXY
5	O-RING	EPDM
4	SHELL	BRASS, NICKEL PLATED
3	NUT	BRASS, NICKEL PLATED
2	CONTACT	BRASS, 10u" GOLD PLATED UNDER NICKEL
1	HOUSING	PBT, UL94V-0, BLACK
NO	PART NAME	DESCRIPTION

UNLESS OTHERWISE SPECIFIED TOLERANCE			
UNIT:	DECIMAL	LINEAR	ANGLES
mm	X.	±0.50	±5°
	X.X	±0.25	±3°
	X.XX	±0.12	±1°



WWW.ATTEND.COM.TW

DRAWN	Fros	2018/04/18	DRAWN NAME:	M12 A- Code Receptacle, 12 Pin	
CHECKED	Tim	2018/04/18		Female Straight Solder Type Front Fastened	
APPROVED	Ken	2018/04/18	PRODUCT NO.	216A-12FAF	
SCALE	2/1	SHEET	1/1	SIZE	A4
		FILE NAME	216A-12FAF_B_2		