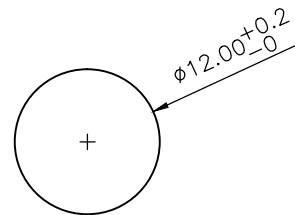
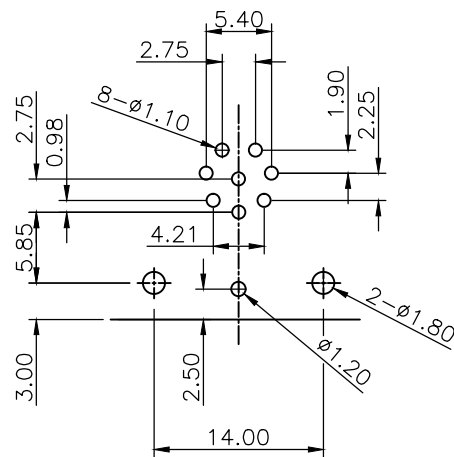
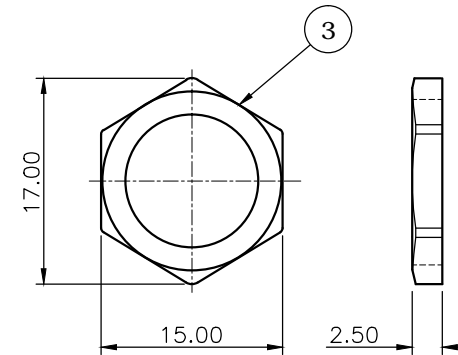
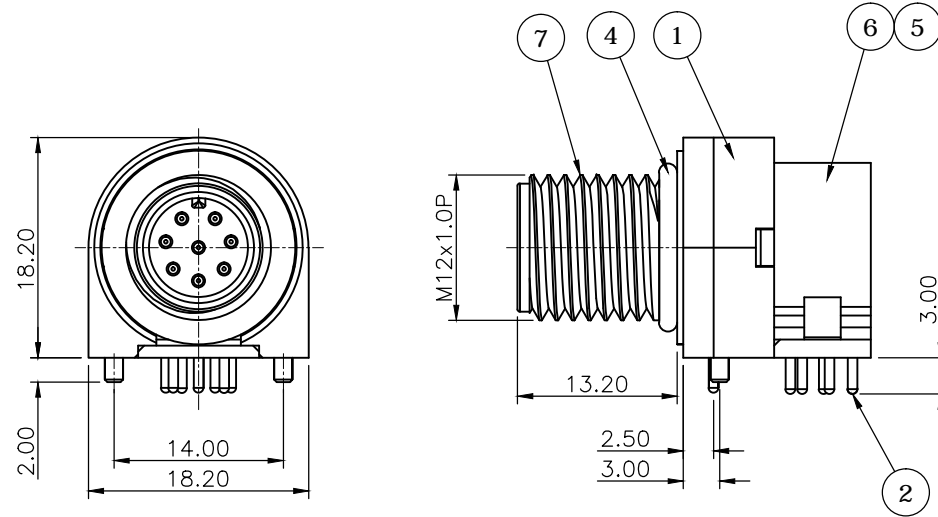


REV.	DESCRIPTION	DRAWN	DATE
1	INITIAL RELEASE	FROS	2017/06/19
2	ECR220421001	TIM	2022/04/21

**SPECIFICATION:**


1. Current Rating: 2A
2. Voltage Rating: 30V
3. Waterproof: IPX7
4. Operating temperature range: -40°C~+85°C



**RECOMMENDED LAYOUT (TOP VIEW)**  
**GENERAL TOLERANCE: ±0.05**

**PANEL CUT OUT**

7	SHELL	Brass, Nickel plating
6	BASE	PBT, UL94V-0, Black
5	BACK HOUSING	PBT, UL94V-0, Black
4	O-RING	NBR, Black
3	NUT	Brass, Nickel plating
2	CONTACT	Brass, Gold plating over Nickel
1	COVER	PBT, UL94V-0, Black

NO.		PART NAME		DESCRIPTION		
UNLESS OTHERWISE SPECIFIED TOLERANCE						
UNIT:	DECIMAL	LINEAR	ANGLES	 WWW.ATTEND.COM.TW		
	mm	X.	±0.50			±5°
		X.X	±0.25			±3°
		X.XX	±0.12			±1°
DRAWN	Fros	2017/06/19	DRAWN NAME:			
CHECKED	Tim	2017/06/19	M12 A- Code Receptacle, 8Pin Male R/A DIP Front Fastened			
APPROVED	Ken	2017/06/19	PRODUCT NO.	216A-08MRF		
SCALE	1.6	SHEET	1/1	SIZE	A4	
			FILE NAME	216A-08MRF_B_2		