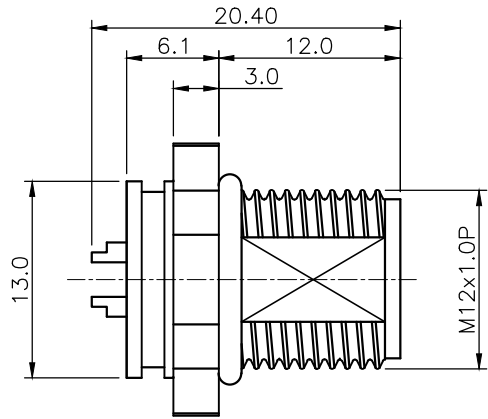


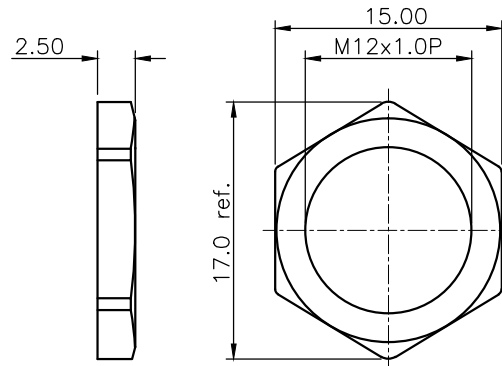
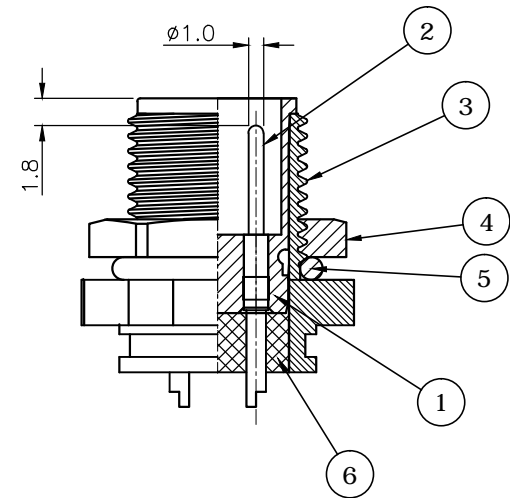
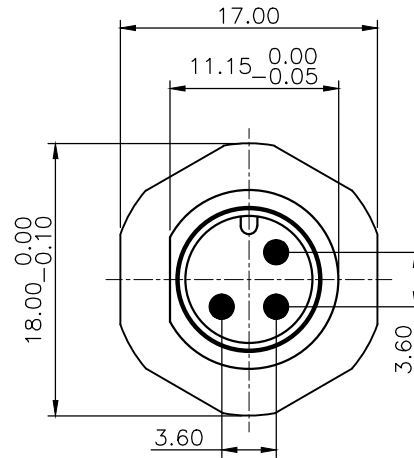
REV.	DESCRIPTION	DRAWN	DATE
1	INITIAL RELEASE	TIM	2018/10/16
2	ECR220421001	TIM	2022/04/21

SPECIFICATION:

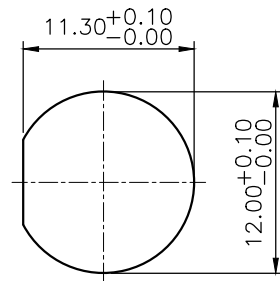
1. Current Rating: 4A
2. Voltage Rating: 250V
3. Waterproof: IPX7
4. Operating temperature range: -40°C~+85°C



BODY



NUT



PANEL CUT-OUT

6	Epoxy	Black
5	ORING	EPDM, Black
4	NUT	Brass, Nickel plating
3	SHELL	Brass, Nickel plating
2	CONTACT	Brass, 10u" Gold plating under Nickel
1	HOUSING	PBT, UL94V-0, Black
NO.	PART NAME	DESCRIPTION

UNLESS OTHERWISE SPECIFIED TOLERANCE			
UNIT:	DECIMAL	LINEAR	ANGLES
mm	X.	±0.50	±5°
	X.X	±0.25	±3°
	X.XX	±0.12	±1°



WWW.ATTEND.COM.TW

DRAWN	Tim	2018/10/16	DRAWN NAME:	M12 A-Code Receptacle, 3 Pin Male Solder Type Front Fastened	
CHECKED	Fros	2018/10/16	PRODUCT NO.	216A-03MAF	
APPROVED	Ken	2018/10/16	FILE NAME	216A-03MAF_B_2	
SCALE	2/1	SHEET	1/1	SIZE	A4