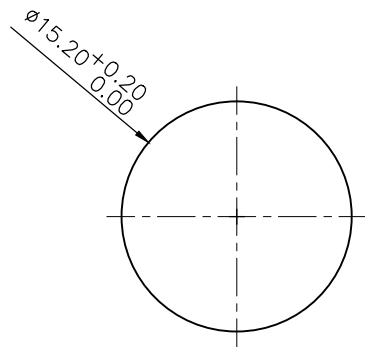
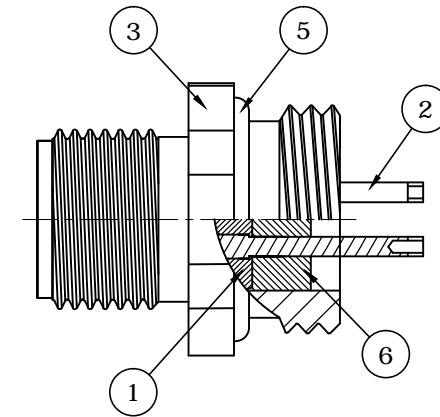
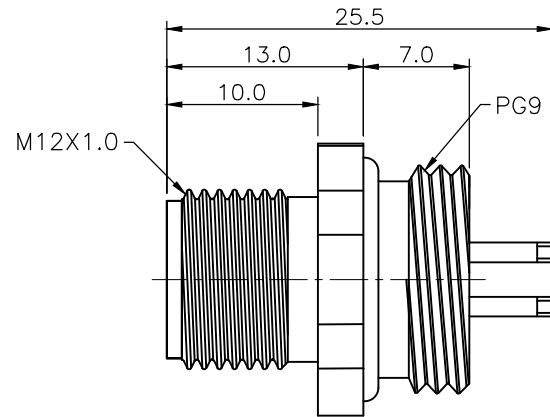
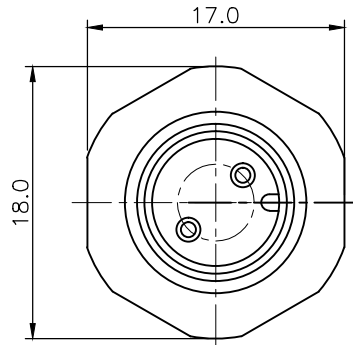


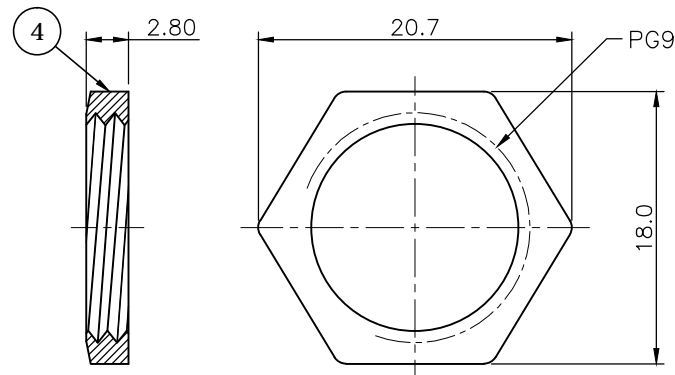
REV.	DESCRIPTION	DRAWN	DATE
1	INITIAL RELEASE	TIM	2017/02/07
2	ECR220421001	TIM	2022/04/21

**SPECIFICATION:**

1. Current Rating: 4A
2. Voltage Rating: 250V
3. Waterproof: IPX7
4. Operating temperature range: -40°C~+85°C



PANEL CUT-OUT



NUT

6	EPOXY BASE	EF400A&EF400B, Black
5	O-RING	NBR, Black
4	NUT	Brass
3	SHELL	Brass, Nickel plating
2	CONTACT	Brass, 10u" Gold plating over Nickel
1	HOUSING	PBT, UL94V-0, Black

NO.	PART NAME	DESCRIPTION
UNLESS OTHERWISE SPECIFIED TOLERANCE		
UNIT:	DECIMAL	LINEAR ANGLES
mm	X.	±0.50 ±5°
	X.X	±0.25 ±3°
	X.XX	±0.12 ±1°
DRAWN		Tim 2017/01/07
CHECKED		Fros 2017/01/07
APPROVED		Ken 2017/01/07
SCALE		2/1
SHEET		1/1
SIZE		A4
DRAWN NAME:		M12 A-Code Receptacle, 2Pin Male Solder Type Rear Fastened
PRODUCT NO.		216A-02MAR
FILE NAME		216A-02MAR_B_2



WWW.ATTEND.COM.TW