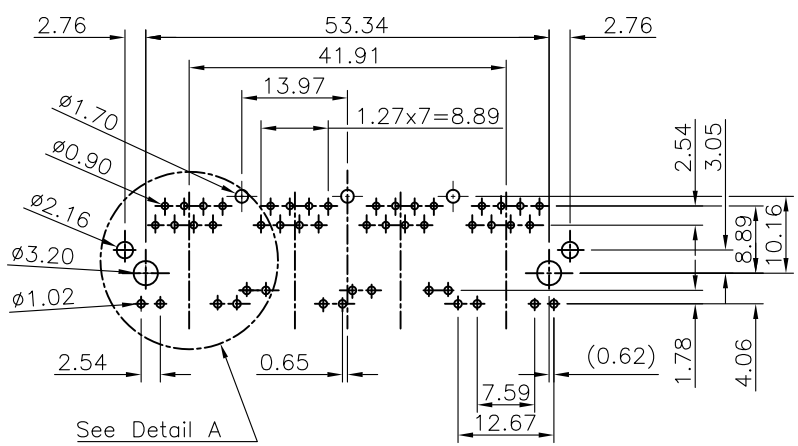
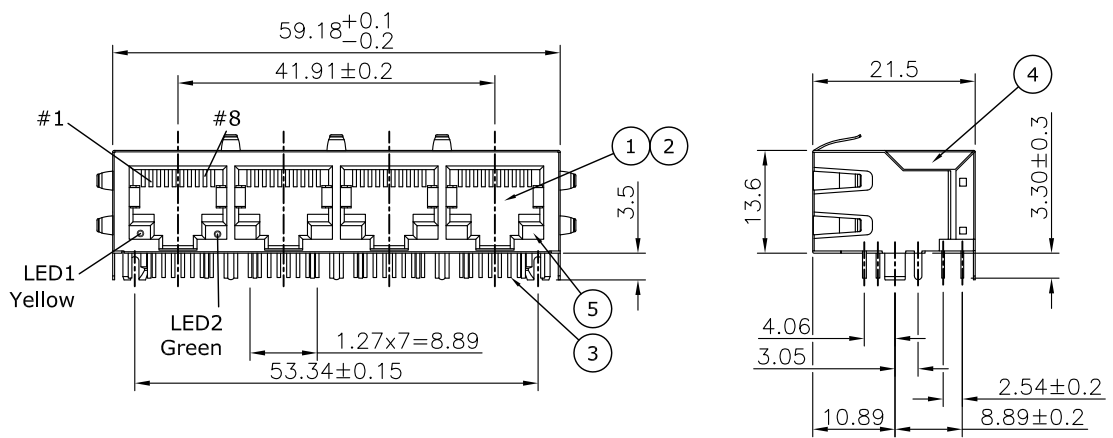
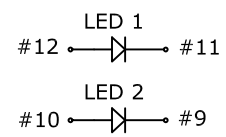


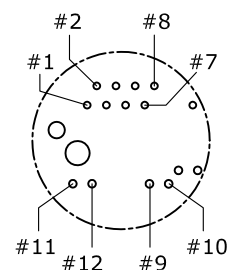
REV.	DESCRIPTION	DRAWN	DATE
0	PRELIMINARY	TIM	2016/10/17
1	INITIAL RELEASE	TIM	2016/10/18

SPECIFICATION:

1. ELECTRICAL
 - 1.1 Current Rating: 1.5A
 - 1.2 Voltage Rating: 125VAC
 - 1.3 Contact Resistance: 30mΩ
 - 1.4 Insulation Resistance: 1000MΩ Min. at 500 VDC
 - 1.5 Dielectric Withstanding Voltage: 1000VAC 60Hz 1 minute
 - 1.6 LED Ratings: Forward Voltage: 2.2V Typical.
Reverse Voltage: 5V max.
 2. MECHANICAL
 - 2.1 Durability: 750 Cycle
 - 2.2 PCB Retention Pre-Solder: 1 LB min.
 - 2.3 PCB Retention Post-Solder: 10 LBS min.
 3. ENVIRONMENTAL
 - 3.1 Operating temperature range: -40°C~+85°C
 - 3.2 Storage temperature range: -40°C~+85°C
 4. SOLDER ABILITY
 - 4.1 Wave Soldering Temp.: 255°C to 260°C/ 5 to 10 sec.
- *Mates with modular plug conforming to TIA-1096-A


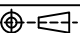


Recommended Layout (Top View)
General Tolerance: ±0.1mm



Detail A
Scale 1/1

6	PCB	FR-4, 0.5t
5	LED	3.0x2.0x4.0, P=2.54mm
4	SHELL	Copper Alloy 0.25t, Nickel plating
3	CONTACT	Phosphor Bronze 0.35t, Gold plating over Nickel
2	INSERT	High Temp. UL94V-0, Black
1	HOUSING	High Temp. UL94V-0, Black
NO.	PART NAME	DESCRIPTION

UNLESS OTHERWISE SPECIFIED TOLERANCE					
UNIT:	DECIMAL	LINEAR	ANGLES		
mm	X.	±0.50	±5°	WWW.ATTEND.COM.TW	
	X.X	±0.25	±3°		
	X.XX	±0.12	±1°		
DRAWN	Fros	2016/10/17	DRAWN NAME: Cat 5e RJ45 Module Jack with LED 1x4 Port, 5u", w/ EMI Tab, Y+G		
CHECKED	Tim	2016/10/17	PRODUCT NO. 211C-14CAA		
APPROVED	Ken	2016/10/17	FILE NAME 211C-14CAA_B_1		
	SCALE 1/1	SHEET 1/1	SIZE A4		