

REV.	DESCRIPTION	DRAWN	DATE
1	INITIAL RELEASE	FROS	2023/04/18

NOTES:

ELECTRICAL:

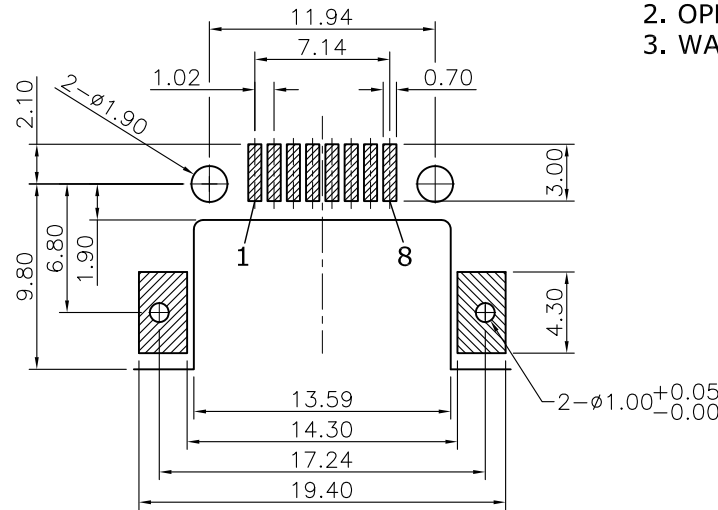
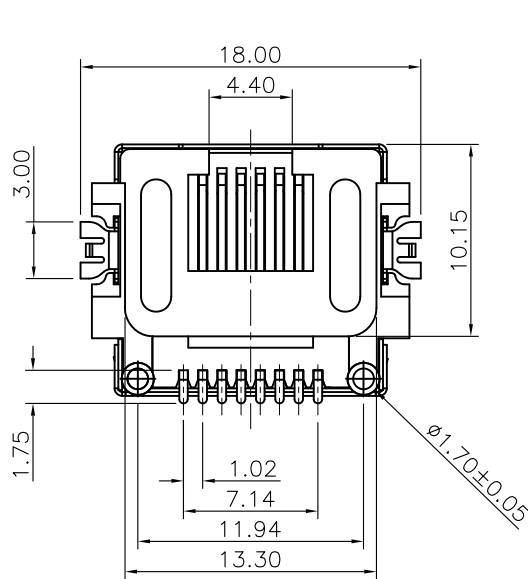
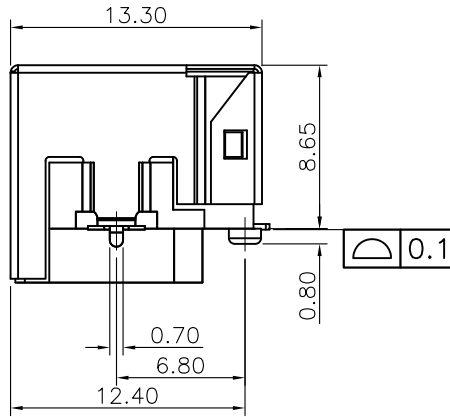
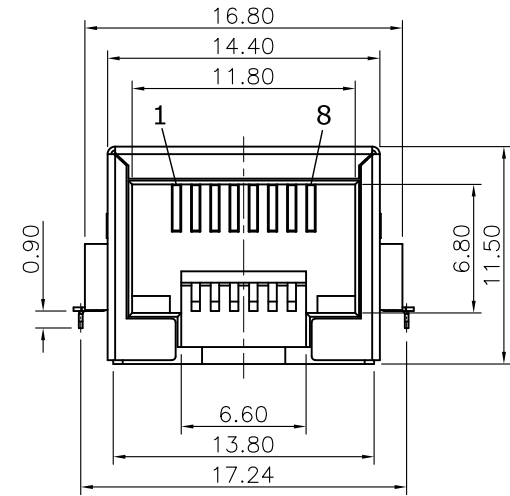
- 1. VOLTAGE RATING : 150 VAC.
- 2. CURRENT RATING : 1.5 AMP.
- 3. CONTACT RESISTANCE : 40 mΩ MAX.
- 4. INSULATION RESISTANCE: 500 MΩ MIN. at 500 VDC.
- 5. DIELECTRIC STRENGTH : 750 VAC 60Hz, 1MIN.

MECHANICAL:

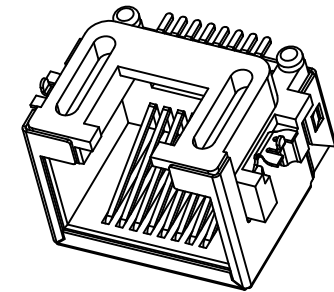
- 1. SHIELD MATERIAL : BRASS, t=0.20mm.
- 2. HOUSING: : LCP. UL94V-0 Black
- 3. CONTACT MATERIAL: PHOSPHOR BRONZE t=0.30mm.
- 4. PLATING : 1). Contact area: gold flash plating
2). Tails: 150u" TIN-Lead min. over 50u" Nickel
- 5. OPERATING LIFE : 500 CYCLES MIN.
- 6. PCB RETENTION POST-SOLDER: 10 LBS MIN.


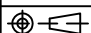
ENVIRONMENTAL:

- 1. STORAGE : -40°C TO +85°C.
- 2. OPERATION : -40°C TO +85°C.
- 3. WAVE SOLDERING TEMPERATURE :
255~265°C (5~10 SECONDS)



Recommend PCB Layout (Top View)
General Tolerance: ±0.05mm



UNLESS OTHERWISE SPECIFIED TOLERANCE					
UNIT:	DECIMAL	LINEAR	ANGLES		
mm	X.	±0.50	±5°	WWW.ATTEND.COM.TW	
	X.X	±0.25	±3°		
	X.XX	±0.12	±1°		
DRAWN	Fros	2023/04/18	DRAWN NAME: RJ45 Jack Shielded Type, R/A Middle Mount Down Latch SMD G/F Reel		
CHECKED	Tim	2023/04/18	PRODUCT NO. 210A-11A0B-RA17		
APPROVED	Ken	2023/04/18	FILE NAME 210A-11A0B-RA17_B_1		
	SCALE 2.5/1	SHEET 1/1	SIZE A4		