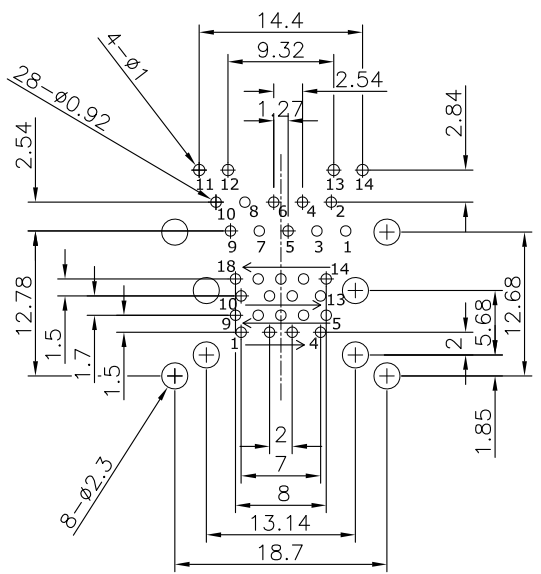
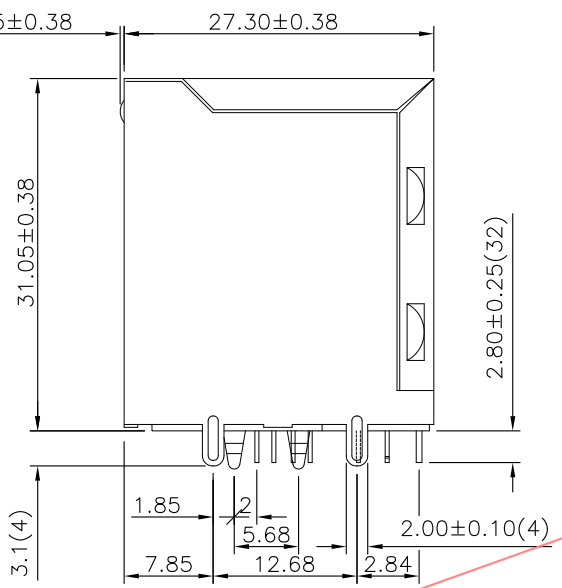
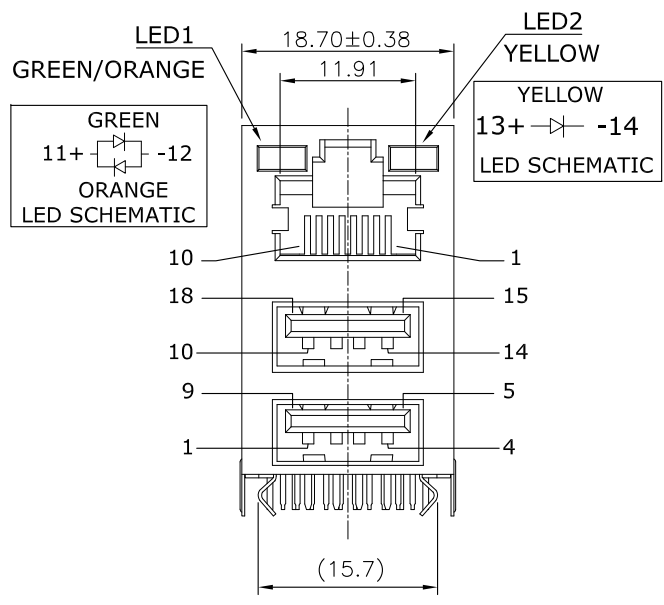


REV.	DESCRIPTION	DRAWN	DATE
1	INITIAL RELEASE	Willis	2013/08/05
2	CORRECTED LAYOUT, ADD PIN OUT	FROS	2015/07/20



SPECIFICATION:

- ELECTRICAL**
 - Current Rating: USB3.0: 1.8A per pin
RJ45: 1A per pin
 - Voltage Rating: USB3.0: 30VAC
RJ45: 150VAC
 - Contact Resistance: 50mΩ
 - Insulation Resistance: USB3.0: 100MΩ
RJ45: 500MΩ
 - Dielectric Withstanding Voltage:
USB3.0: 100VAC
RJ45: 1000VAC
- MECHANICAL**
 - Durability: USB3.0: 1500 Cycle
RJ45: 750 Cycle
- ENVIRONMENTAL**
 - Operating temperature range: -40°C~+85°C
 - Storage temperature range: -40°C~+85°C
- SOLDER ABILITY**
 - Recommended Wave Soldering Temperature: 260°C

[Limited supply by further check with us.]



Pin Number	Signal Name	Mating Sequence
1	VBUS	Second
2	D-	Third
3	D+	
4	GND	Second
5	StdA_SSRX-	Last
6	StdA_SSRX+	
7	GND_DRAIN	
8	StdA_SSTX-	
9	StdA_SSTX+	
Shell	Shield	First

4	LED	Epoxy Resin	
3	SHELL	Brass C2680	
2	CONTACT	Phosphor Bronze C5210, Contact Area: 6u"	
1	HOUSING	PBT UL94V-0 BLACK	
NO.	PART NAME	DESCRIPTION	
UNLESS OTHERWISE SPECIFIED TOLERANCE			
UNIT:	DECIMAL	LINEAR	ANGLES
	mm	X, X	±0.50 ±3°
		X, XX	±0.25 ±1°
DRAWN: Willis 2013/08/05			
DRAWN NAME: Dual USB 3.0 with RJ45 Socket Giga Transformer Type			
CHECKED: Angel 2013/08/05			
APPROVED: Ken 2013/08/05			
SCALE: 1.5		SHEET: 1/2	
SIZE: A4		FILE NAME: 209G-CCN0_B_2	



RECOMMENDED LAYOUT (TOP VIEW)
GENERAL TOLERANCE: ±0.1



WWW.ATTEND.COM.TW