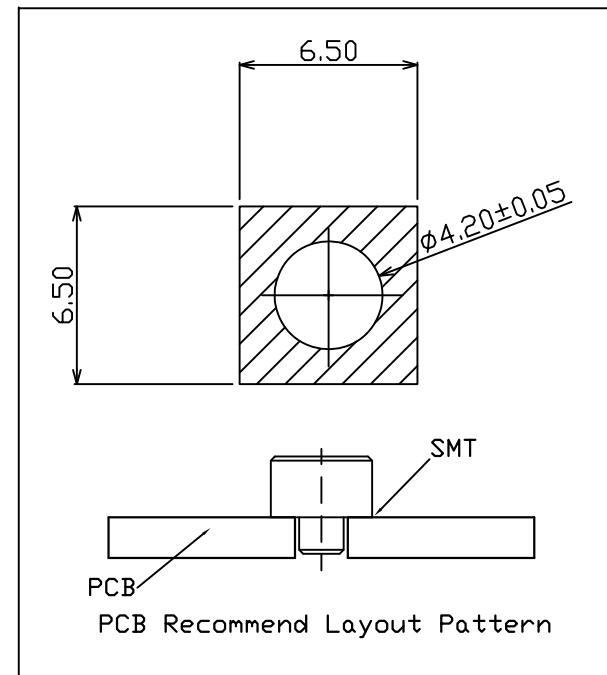
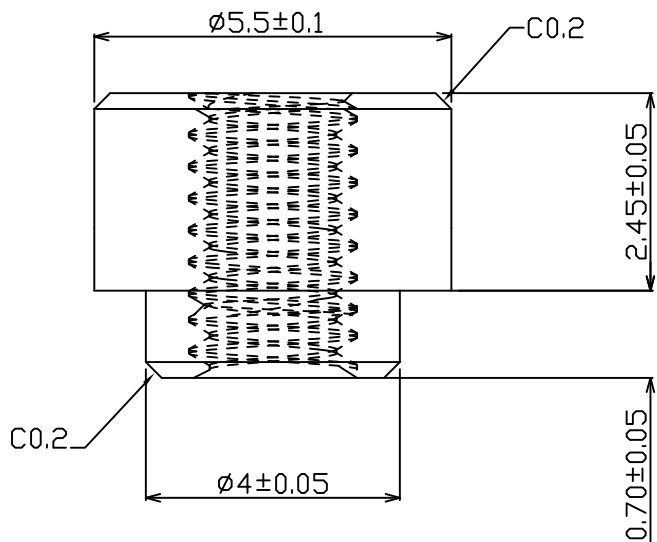


NOTE:

- 1.MATERIAL: Copper Alloy
- 2.Plating: Sn.



						UNLESS OTHERWISE SPECIFIED TOLERANCE			 www.attend.com.tw	
						ANGLES	ANG.	$\pm 5^\circ$		
						LINEAR	0.	± 0.3		
							0.00	± 0.25		
						SCALE	AS SHOWED	UNIT: mm		
A						DRAWN	Willis	2013/11/13	DRAWN NAME:	
A						CHECKED	Angel	2013/11/13	M.2 Connector Stand Off	
A						APPROVED	Ken	2013/11/13	PRODUCT NO.	123A-NUT-42
REV.	DESCRIPTION			DATE	REV.	DESCRIPTION			DATE	FILE NAME
1					4					123A-NUT-42_B_1