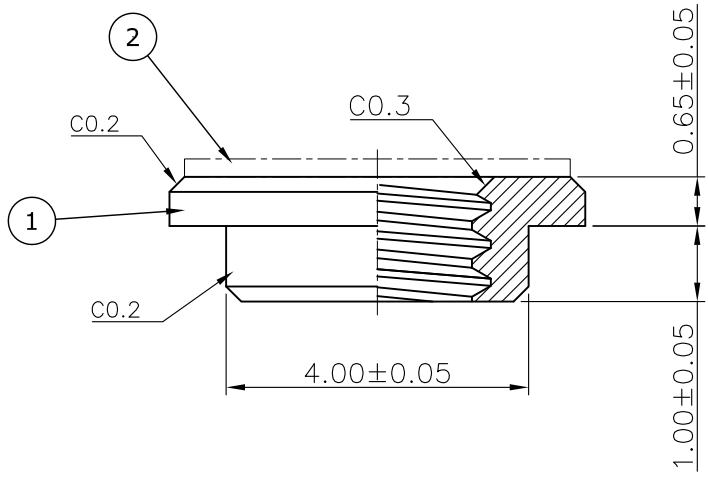
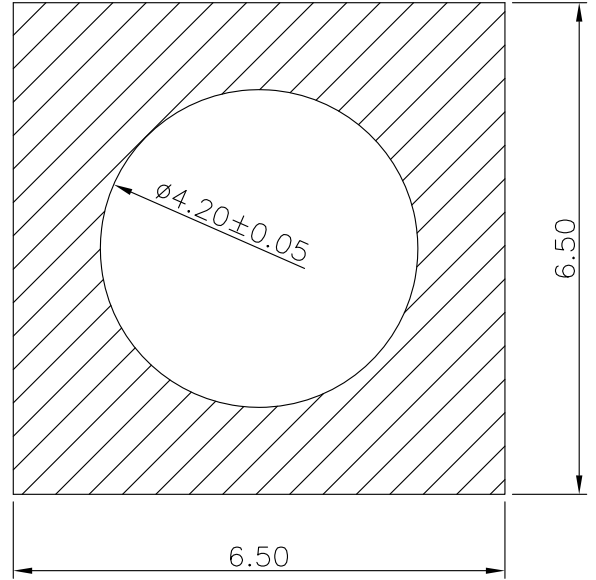
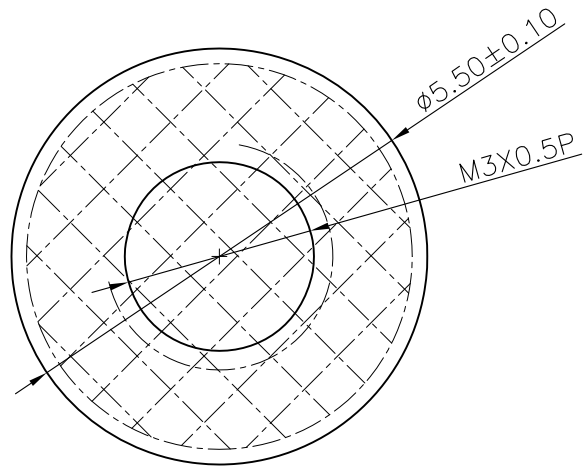

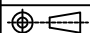


REV.	DESCRIPTION	DRAWN	DATE
1	INITIAL RELEASE	FROS	2015/07/03



RECOMMEND LAYOUT
GENERAL TOLERANCE: ±0.1

2	MYLAY			
1	NUT	Copper Alloy, Sn plated		
NO.	PART NAME	DESCRIPTION		
UNLESS OTHERWISE SPECIFIED TOLERANCE				
UNIT:	DECIMAL	LINEAR	ANGLES	
mm	X.	±0.50	±5°	
	X.X	±0.25	±3°	
	X.XX	±0.12	±1°	
			 WWW.ATTEND.COM.TW	
DRAWN	Fros	2015/07/03	DRAWN NAME: M.2 Connector Stand off	
CHECKED	Zola	2015/07/03		
APPROVED	Ken	2015/07/03	PRODUCT NO. 123A-NUT-22	
	SCALE 1/1	SHEET 1/1	SIZE A4	FILE NAME 123A-NUT-22_B_1