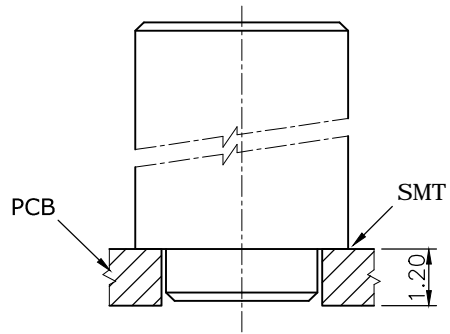
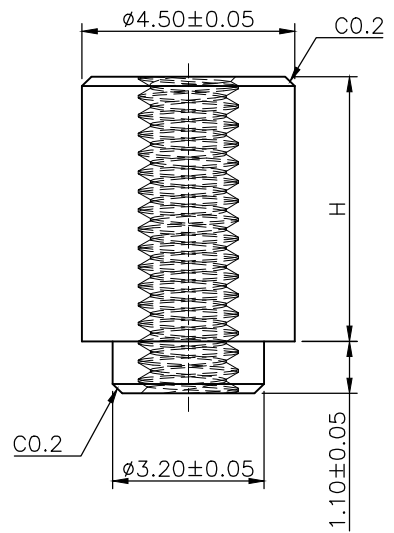
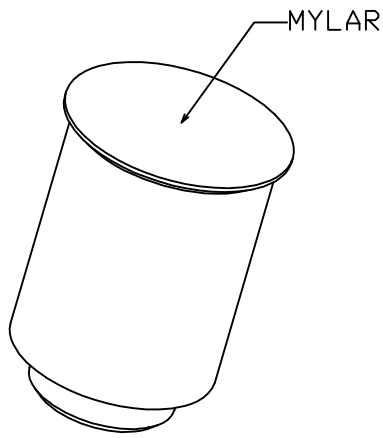
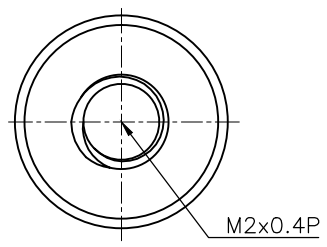
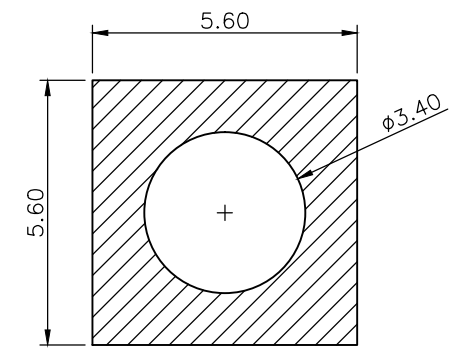


| REV. | DESCRIPTION               | DRAWN  | DATE       |
|------|---------------------------|--------|------------|
| 2    | Revised frame             | Willis | 2013/01/25 |
| 3    | Revised frame & p/n table | FROS   | 2017/06/14 |
| 4    | ECR2000003                | TIM    | 2020/04/24 |


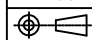


NOTE:  
 1. MATERIAL: Copper Alloy  
 2. Plating: Sn.

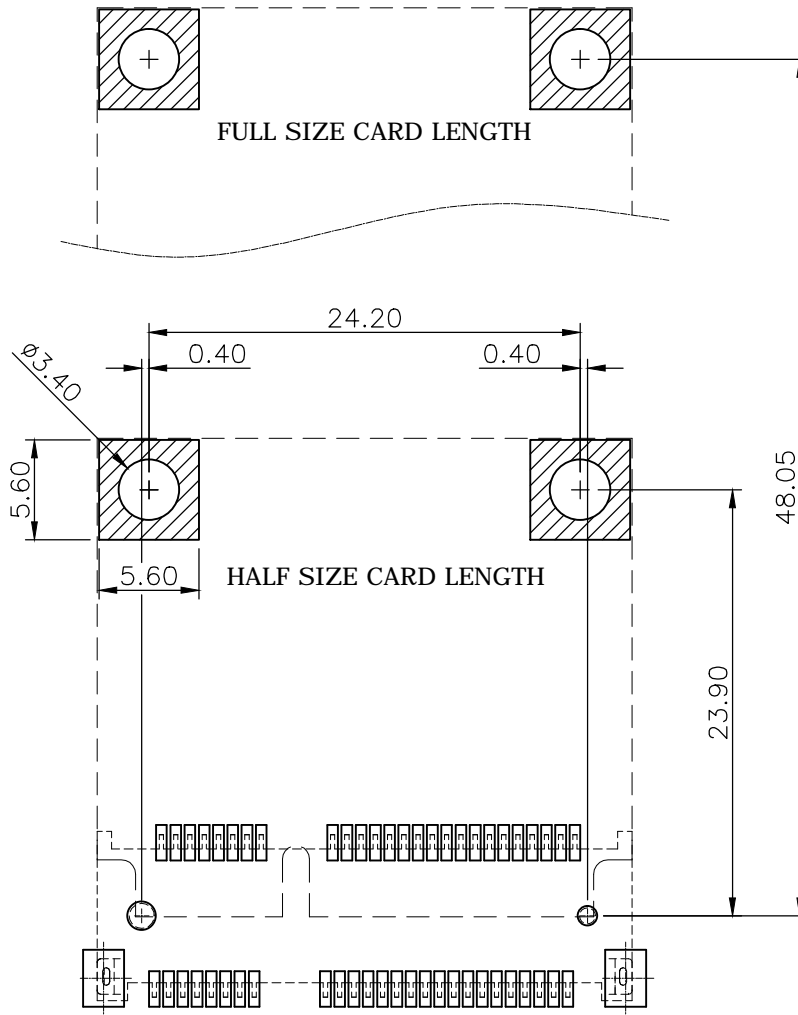


PCB Recommend Layout Pattern


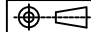
| NUT P/N         | "H"±0.1 | Mini PCI E P/N |
|-----------------|---------|----------------|
| 119A-NUT-40-R02 | 1.6     | 119A-40A00-R02 |
| 119A-NUT-40-R02 | 1.6     | 119A-40A00-R04 |
| 119A-NUT-56-R02 | 3.2     | 119A-56A00-R02 |
| 119A-NUT-56-R02 | 3.2     | 119A-56A00-R04 |
| 119A-NUT-80-R02 | 5.6     | 119A-80A00-R02 |
| 119A-NUT-92-R02 | 6.8     | 119A-92A00-R02 |

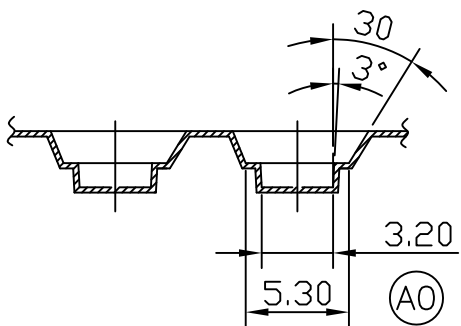
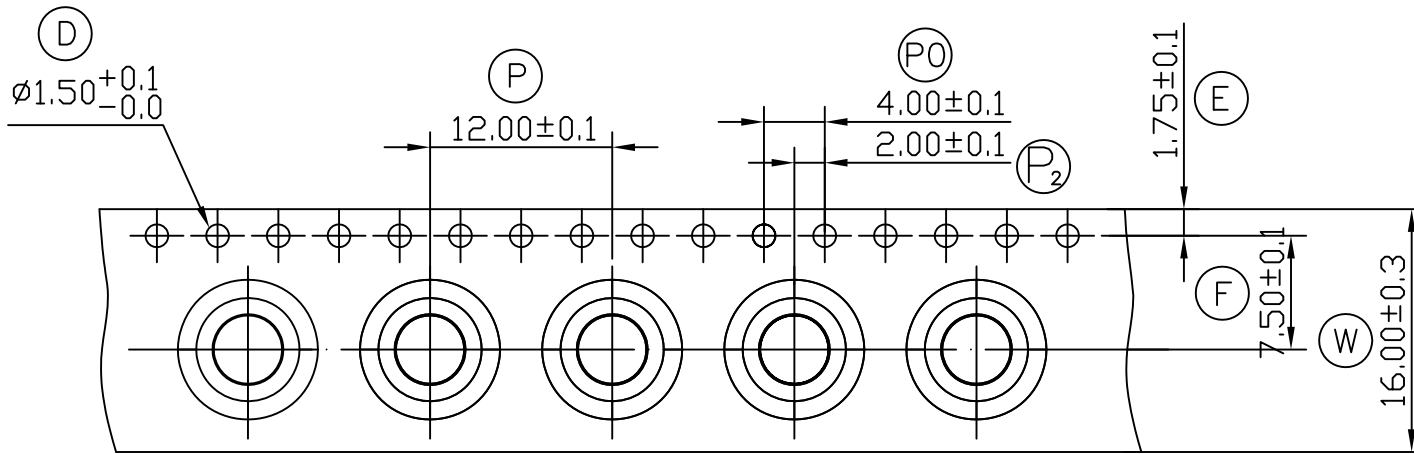
| UNLESS OTHERWISE SPECIFIED TOLERANCE  |               |              |                            | <br>WWW.ATTEND.COM.TW |
|---|---------------|--------------|----------------------------|--|
| UNIT:   | DECIMAL       | LINEAR       | ANGLES                     |  |
| mm  | X.            | ±0.50        | ±5°                        |  |
|   | X.X           | ±0.25        | ±3°                        |  |
|   | X.XX          | ±0.12        | ±1°                        |  |
| DRAWN   | Willis        | 2012/12/10   | DRAWN NAME:                |  |
| CHECKED   | Angel         | 2012/12/10   | Mini PCI Express Stand Off |  |
| APPROVED  | Ken           | 2012/12/10   | PRODUCT NO. see p/n table  |  |
|  | SCALE<br>6.25 | SHEET<br>1/1 | SIZE<br>A4                 | FILE NAME<br>119A-NUT-XX-R02_B_4   |

| REV. | DESCRIPTION     | DRAWN | DATE       |
|------|-----------------|-------|------------|
| 1    | Initial Release | FROS  | 2020/04/16 |



**RECOMMEND LAYOUT (TOP VIEW)**  
**GENERAL TOLERANCE: ±0.05**

| UNLESS OTHERWISE SPECIFIED TOLERANCE  |               |              |  |  |                        |
|---|---------------|--------------|--|---|------------------------|
| UNIT:   | DECIMAL       | LINEAR       | ANGLES   |   |                        |
| mm  | X.            | ±0.50        | ±5°  | WWW.ATTEND.COM.TW   |                        |
|   | X.X           | ±0.25        | ±3°  |   |                        |
|   | X.XX          | ±0.12        | ±1°  |   |                        |
| DRAWN   | Fros          | 2020/04/16   | DRAWN NAME:<br>Mini PCI Express Stand Off Layout |   |                        |
| CHECKED   | Tim           | 2020/04/16   |  |   |                        |
| APPROVED  | Ken           | 2020/04/16   | PRODUCT NO.                                      |   |                        |
|  | SCALE<br>6.25 | SHEET<br>1/1 | SIZE<br>A4                                       | FILE NAME   | 119A-NUT-XX-R02_LAYOUT |



- 1. Material: PS Black-Thickness :  $0.35 \pm 0.05$  mm.
- 2. Packing Length Per 22" Reel : 68 Meters (1:3).
- 3. Component Load Per 13" Reel : 1800 Pcs.

| ITEM | W                                      | A <sub>0</sub>                         | B <sub>0</sub>                         | K <sub>0</sub>                         | K <sub>1</sub>                         | P                                      | F                                      | E                                      | D                                      | D <sub>1</sub>                         | P <sub>0</sub>                         | P <sub>2</sub>                         |
|------|--|--|--|--|--|--|--|--|--|--|--|--|
| DIM  | 16.0 <sup>+0.30</sup> <sub>-0.30</sub> | 3.20 <sup>+0.20</sup> <sub>-0.10</sub> | 3.20 <sup>+0.20</sup> <sub>-0.10</sub> | 3.20 <sup>+0.20</sup> <sub>-0.10</sub> | 0.00 <sup>+0.20</sup> <sub>-0.10</sub> | 8.00 <sup>+0.10</sup> <sub>-0.10</sub> | 7.50 <sup>+0.10</sup> <sub>-0.10</sub> | 1.75 <sup>+0.10</sup> <sub>-0.10</sub> | 1.50 <sup>+0.10</sup> <sub>-0.00</sub> | 0.00 <sup>+0.25</sup> <sub>-0.00</sub> | 4.00 <sup>+0.10</sup> <sub>-0.10</sub> | 2.00 <sup>+0.10</sup> <sub>-0.10</sub> |

| UNLESS OTHERWISE SPECIFIED TOLERANCE |          |            |
|--------------------------------------|----------|------------|
| ANGLES                               | ANG.     | ±5°        |
| LINEAR                               | 0.       | ±0.3       |
|                                      | 0.0      | ±0.25      |
|                                      | 0.00     | ±0.20      |
| SCALE                                | AS SHOWN | UNIT: mm   |
| DRAWN                                | Willis   | 2012/12/10 |
| CHECKED                              | Angel    | 2012/12/10 |
| APPROVED                             | Ken      | 2012/12/10 |

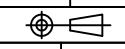


www.attend.com.tw

DRAWN NAME:  
Mini PCI Express Stand Off

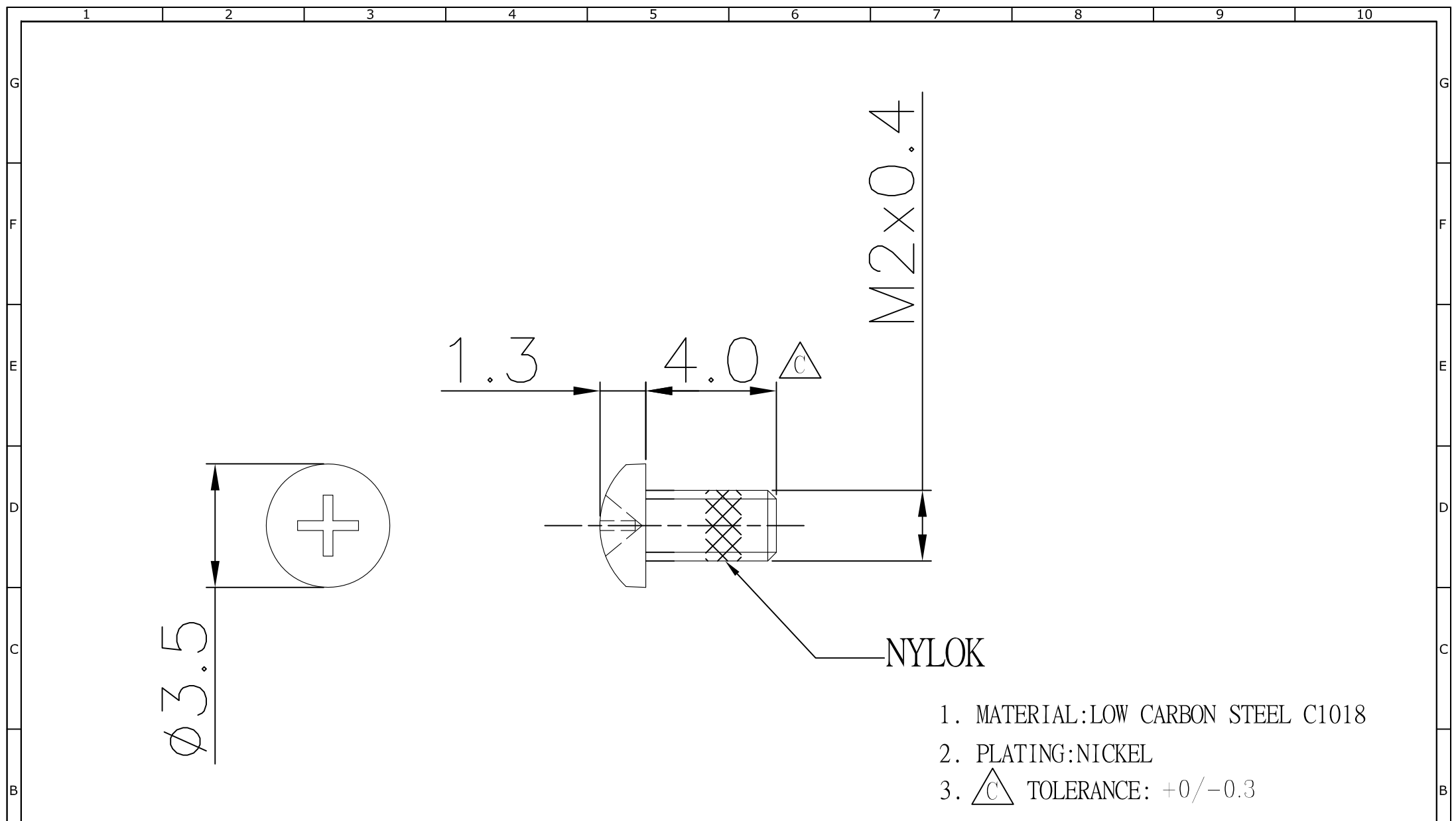
PRODUCT NO. 119A-NUT-40-R02

| REV. | DESCRIPTION | DATE | REV. | DESCRIPTION | DATE |
|------|-------------|------|------|-------------|------|
|      |             |      |      |             |      |
|      |             |      |      |             |      |
|      |             |      |      |             |      |



SIZE A4 REV. 1.0

FILE NAME 119A-NUT-40-R02\_D\_2



1. MATERIAL: LOW CARBON STEEL C1018
2. PLATING: NICKEL
3.  $\triangle C$  TOLERANCE: +0/-0.3

|      |             |  |  |      |      |               |  |  |                                      |                  |            |   |  |  |
|------|-------------|--|--|------|------|---------------|--|--|--------------------------------------|------------------|------------|---|--|--|
|      |             |  |  |      |      | <b>NOTES:</b> |  |  | UNLESS OTHERWISE SPECIFIED TOLERANCE |                  |            | <b>ATTEND</b><br><a href="http://www.attend.com.tw">www.attend.com.tw</a> |  |  |
|      |             |  |  |      |      |               |  |  | ANGLES                               | ANG.             | ±5°        |   |  |  |
|      |             |  |  |      |      |               |  |  | LINEAR                               | 0.               | ±0.3       |   |  |  |
|      |             |  |  |      |      |               |  |  |                                      | 0.00             | ±0.25      |   |  |  |
|      |             |  |  |      |      |               |  |  | SCALE                                | AS SHOWN         | UNIT: mm   |   |  |  |
|      |             |  |  |      |      |               |  |  | DRAWN                                | Willis           | 2013/01/25 | DRAWN NAME:<br>Mini PCI Express M2 Nylok Screw                            |  |  |
|      |             |  |  |      |      |               |  |  | CHECKED                              | Angel            | 2013/01/25 |   |  |  |
|      |             |  |  |      |      |               |  |  | APPROVED                             | Ken              | 2013/01/25 | PRODUCT NO. 119A-Screw-R02<br>FILE NAME 119A-Screw-R02_B_2                |  |  |
|      |             |  |  |      |      |               |  |  | REV.                                 | 1.0              |            |   |  |  |
| REV. | DESCRIPTION |  |  | DATE | REV. | DESCRIPTION   |  |  | DATE                                 | SIZE A4 REV. 1.0 |            |   |  |  |
| 1    |             |  |  |      | 4    |               |  |  |                                      |                  |            |   |  |  |
| 2    |             |  |  |      | 5    |               |  |  |                                      |                  |            |   |  |  |
| 3    |             |  |  |      | 6    |               |  |  |                                      |                  |            |   |  |  |
| 4    |             |  |  |      | 7    |               |  |  |                                      |                  |            |   |  |  |
| 5    |             |  |  |      | 8    |               |  |  |                                      |                  |            |   |  |  |
| 6    |             |  |  |      | 9    |               |  |  |                                      |                  |            |   |  |  |
| 7    |             |  |  |      | 10   |               |  |  |                                      |                  |            |   |  |  |