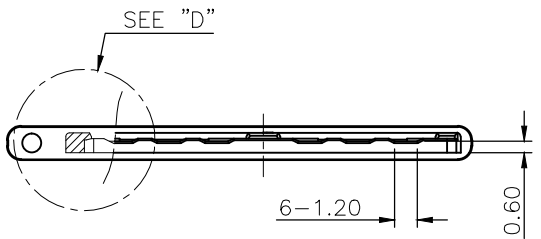
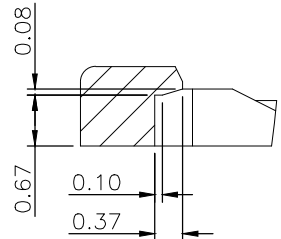


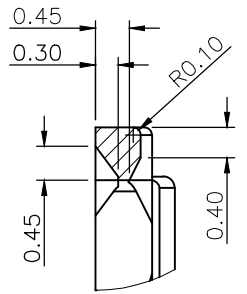
REV.	DESCRIPTION	DRAWN	DATE
1	INITIAL RELEASE	TIM	2023/11/13
2	ECR2400001	Fros	2024/02/29



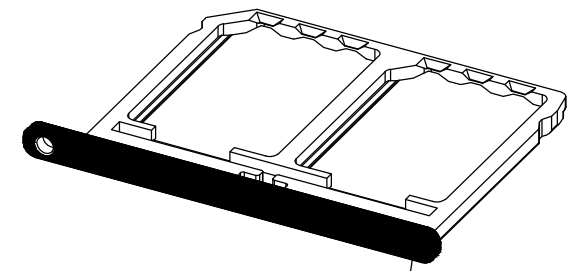
SECTION C-C



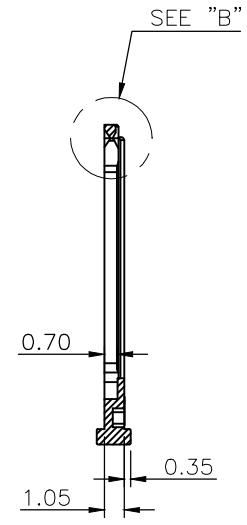
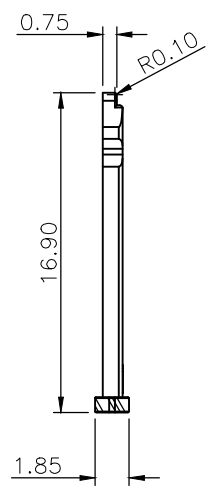
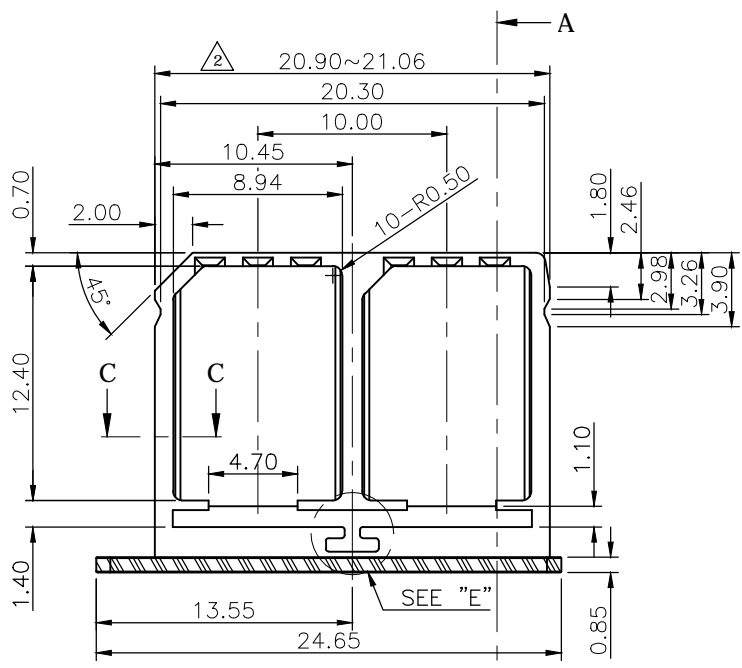
DETAIL D  
Scale 10/1



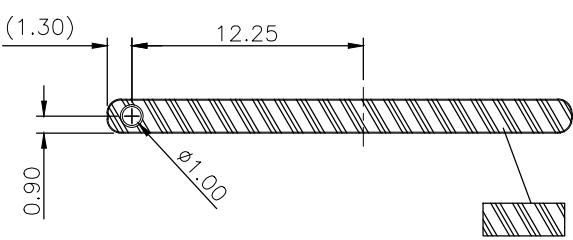
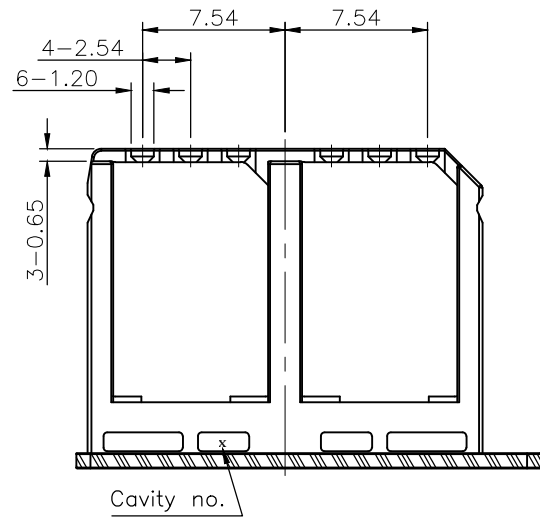
DETAIL B  
Scale 10/1



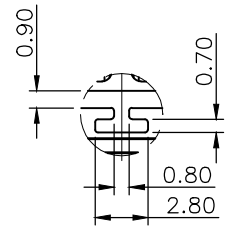
Black Panel



SECTION A-A



Paint: Black



DETAIL E

NO.	PART NAME	DESCRIPTION					
1	Tray	Stainless steel					
UNLESS OTHERWISE SPECIFIED TOLERANCE							
UNIT:	DECIMAL	LINEAR	ANGLES				
mm	X	±0.50	±5°				
	X.X	±0.25	±3°				
	X.XX	±0.12	±1°				
DRAWN NAME:							
DRAWN	Tim	2023/11/13	DRAWN NAME: Nano SIM Tray, Dual Card, SUS316 16.9mm, Reel, Black Panel				
CHECKED	Fros	2023/11/13					
APPROVED	Ken	2023/11/13	PRODUCT NO. 115S-BT00A				
SCALE	2.5	SHEET	1/1	SIZE	A4	FILE NAME	115S-BT00A_B_2



www.attend.com.tw