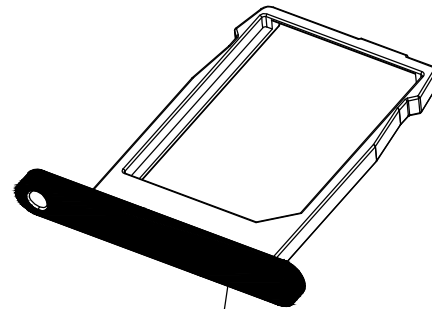
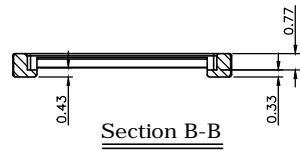


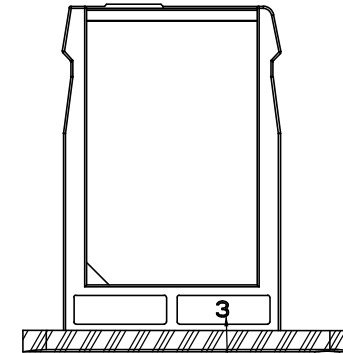
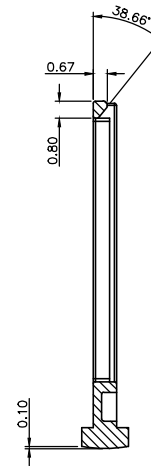
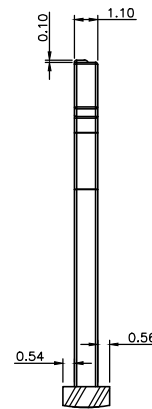
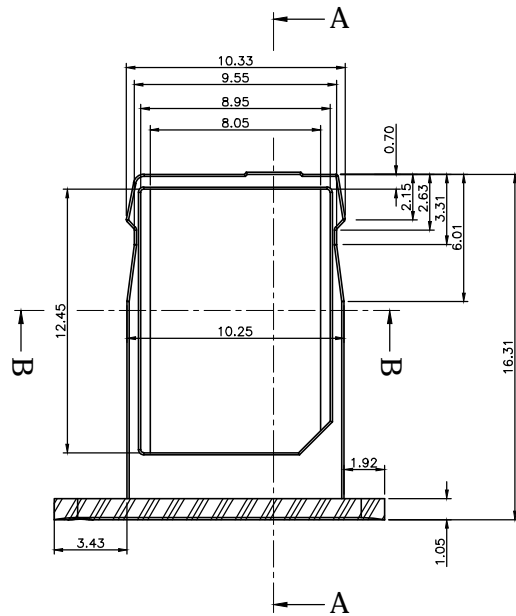
REV.	DESCRIPTION	DRAWN	DATE
1	INITIAL RELEASE	TIM	2023/05/18



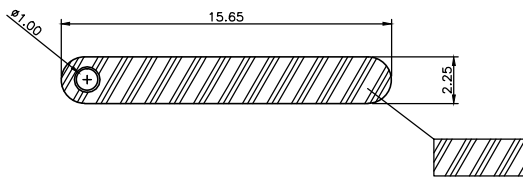
**Black Panel**

Note:


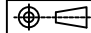
1. Material: Stainless Steel
2. Color: Natural
3. Panel: Black



cavity no.



**Paint: Black**

UNLESS OTHERWISE SPECIFIED TOLERANCE					
UNIT:	DECIMAL	LINEAR	ANGLES		
mm	X.	±0.50	±5°	WWW.ATTEND.COM.TW	
	X.X	±0.25	±3°		
	X.XX	±0.12	±1°		
DRAWN	Tim	2023/05/18	DRAWN NAME:		
CHECKED	Fros	2023/05/18	Nano SIM Tray, 16.31 Black Panel		
APPROVED	Ken	2023/05/18	PRODUCT NO.	115S-ACA3A	
	SCALE 2.8	SHEET 1/1	SIZE A4	FILE NAME	115S-ACA3A_B_1