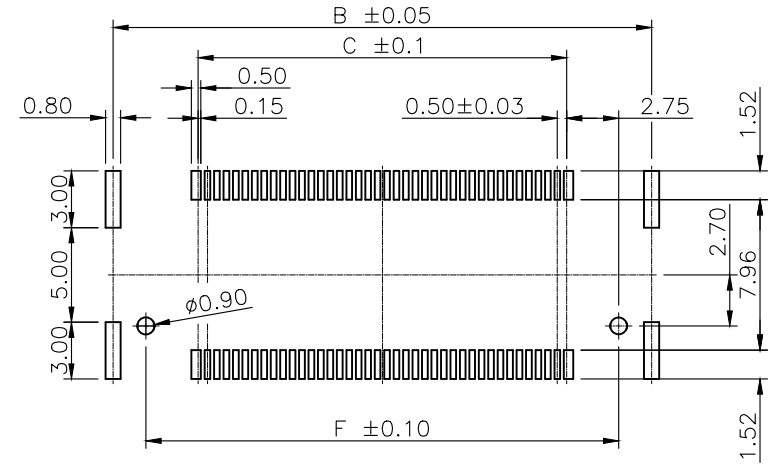
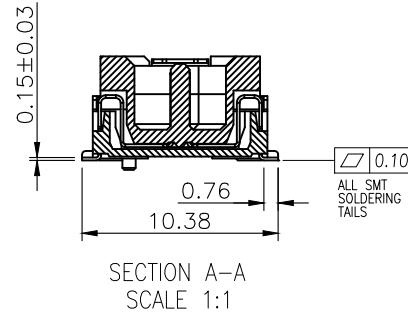
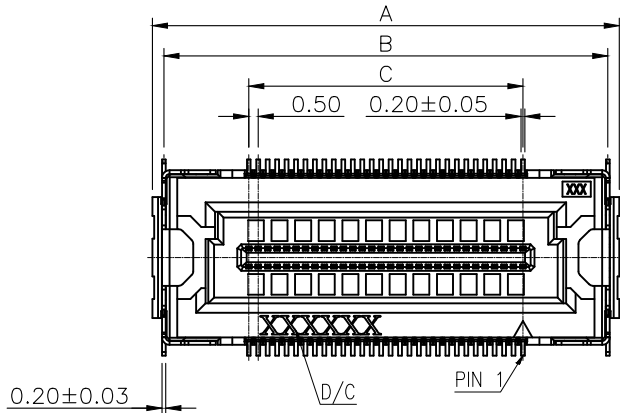
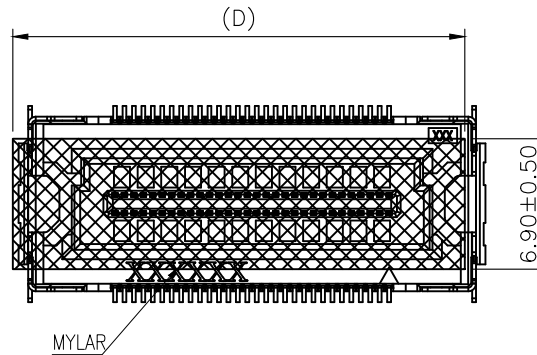
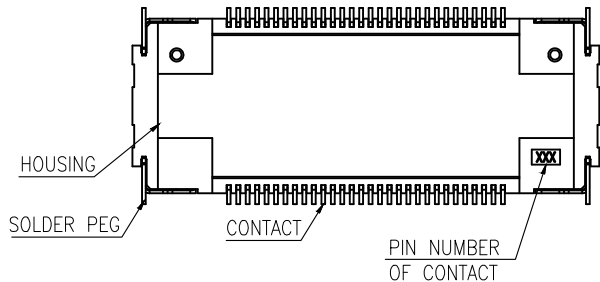
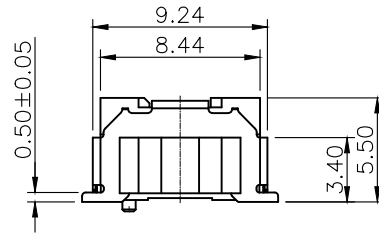
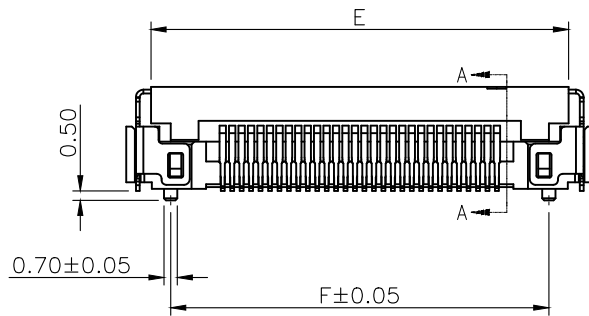


DIM PIN NUMBER	DIM A	DIM B	DIM C	DIM D	DIM E	DIM F
	060	24.70	23.48	14.50	23.90	22.08
080	29.70	28.48	19.50	28.90	27.08	25.00
100	34.70	33.48	24.50	33.90	32.08	30.00

REV.	DESCRIPTION	DRAWN	DATE
1	INITIAL RELEASE	FROS	2025/06/27



Recommended Layout (top view)
General tolerance: ±0.05mm



WITH MYLAR

3	SOLDER PEG	Copper alloy
2	CONTACT	Copper alloy, 5u" gold plating on contact area matte tin plating on solder area, under plating nickel over all
1	HOUSING	Thermoplastic, black
NO.	PART NAME	DESCRIPTION

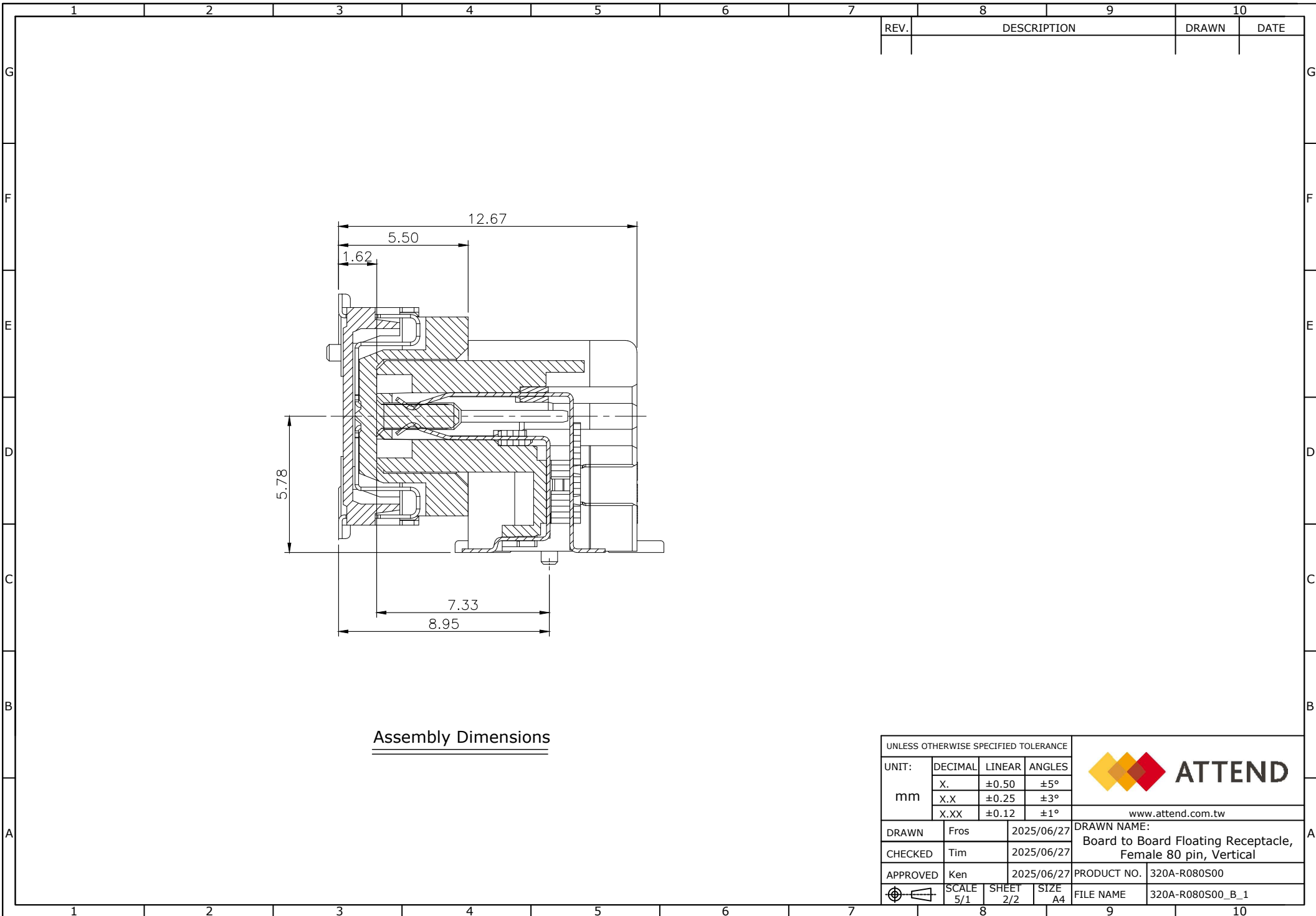
UNLESS OTHERWISE SPECIFIED TOLERANCE

UNIT:	DECIMAL	LINEAR	ANGLES
mm	X.	±0.50	±5°
	X.X	±0.25	±3°
	X.XX	±0.12	±1°



www.attend.com.tw

DRAWN	Fros	2025/06/27	DRAWN NAME: Board to Board Floating Receptacle, Female 80 pin, Vertical	
CHECKED	Tim	2025/06/27		
APPROVED	Ken	2025/06/27	PRODUCT NO. 320A-R080S00	
SCALE 2.5/1		SHEET 1/2	SIZE A4	FILE NAME 320A-R080S00_B_1



Assembly Dimensions

UNLESS OTHERWISE SPECIFIED TOLERANCE

UNIT:	DECIMAL	LINEAR	ANGLES
mm	X.	±0.50	±5°
	X.X	±0.25	±3°
	X.XX	±0.12	±1°



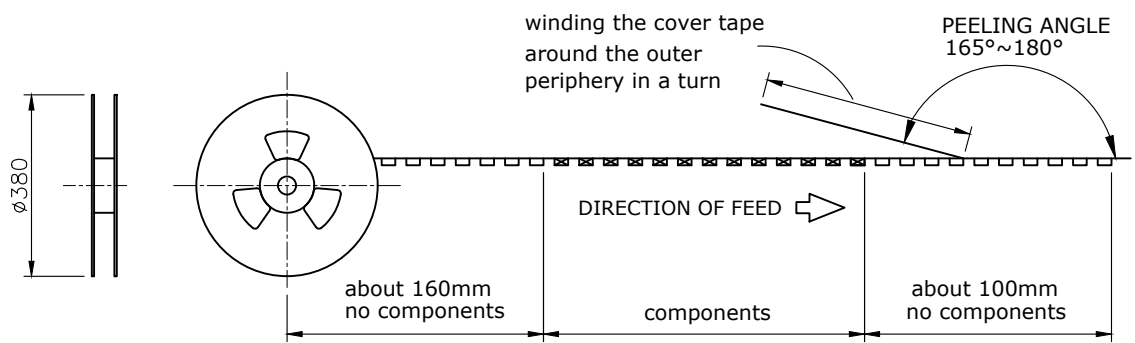
www.attend.com.tw

DRAWN	Fros	2025/06/27
CHECKED	Tim	2025/06/27
APPROVED	Ken	2025/06/27
	SCALE 5/1	SHEET 2/2
	SIZE A4	

DRAWN NAME:	
Board to Board Floating Receptacle, Female 80 pin, Vertical	
PRODUCT NO.	320A-R080S00
FILE NAME	320A-R080S00_B_1

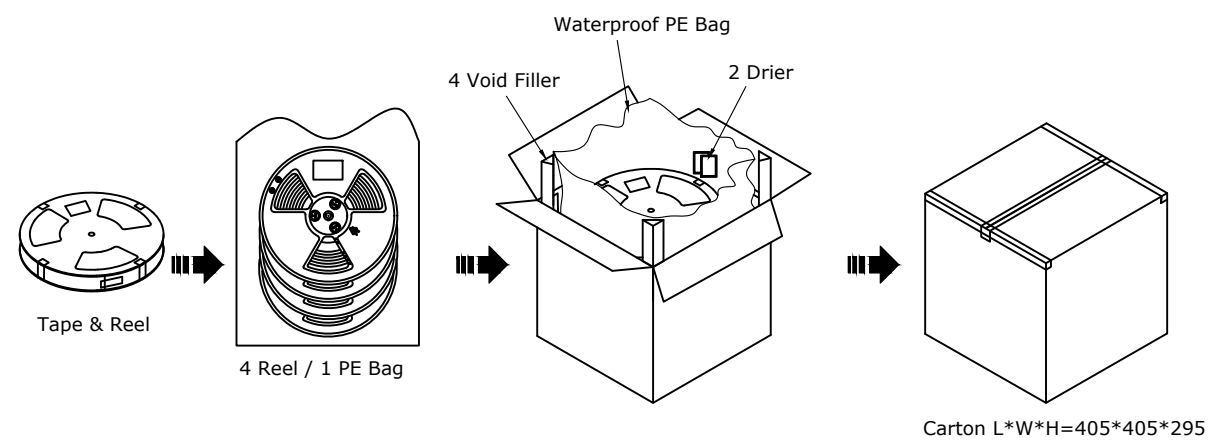
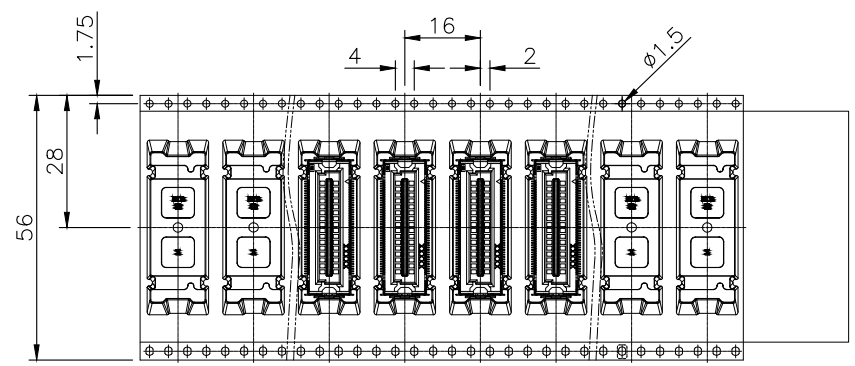
A


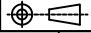
REV.	DESCRIPTION	DRAWN	DATE
1	INITIAL RELEASE	FROS	2025/06/27



PACKAGING SPECIFICATION:

1. MATERIAL
 - 1.1 Embossed Carrier Tape: PS Black
 - 1.2 Top Cover Tape: PET
20-80g(Peel Speed 300mm/Minute)
 - 1.3 Taping Reel: Plastic
2. PACKING
 - 2.1 Quantity:
800 Piece/Reel
3200 Piece/Outer Carton



UNLESS OTHERWISE SPECIFIED TOLERANCE				 www.attend.com.tw
UNIT:	DECIMAL	LINEAR	ANGLES	
mm	X.	±0.50	±5°	
	X.X	±0.25	±3°	
	X.XX	±0.12	±1°	
DRAWN	Fros	2025/06/27	DRAWN NAME:	
CHECKED	Tim	2025/06/27	Board to Board Floating Receptacle, Female 80 pin, Vertical	
APPROVED	Ken	2025/06/27	PRODUCT NO.	
	SCALE	SHEET	SIZE	FILE NAME
	N/A	1/1	A4	320A-R080S00_D_1