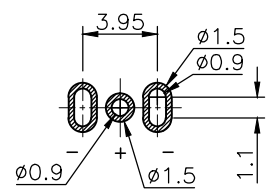
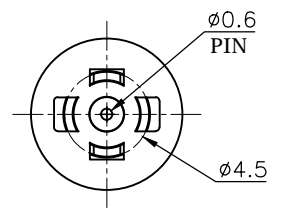
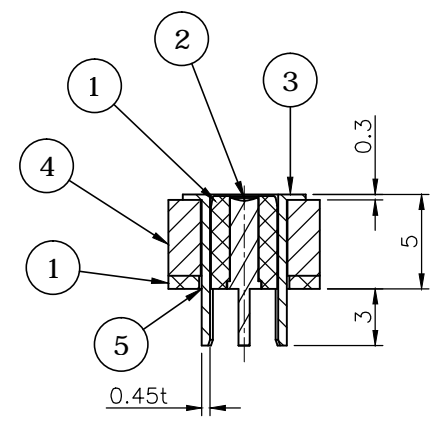
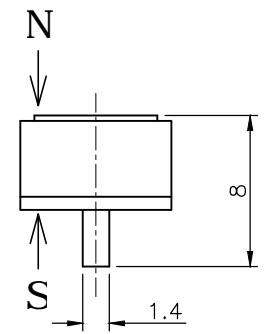
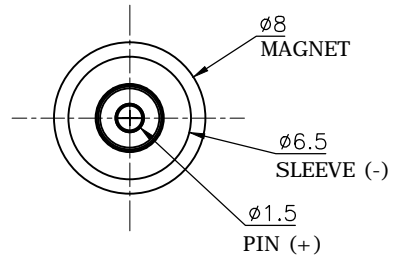


| REV. | DESCRIPTION     | DRAWN | DATE       |
|------|-----------------|-------|------------|
| 1    | INITIAL RELEASE | FROS  | 2022/03/10 |




RECOMMENDED LAYOUT  
GENERAL TOLERANCE: ±0.05mm

**SPECIFICATION:**

1. Contact Resistance: 50mΩ
2. Operating Temperature Range: -30°C~ +60°C
3. Soldering by manual only

|              |         |         |                           |
|--------------|---------|---------|---------------------------|
| 303D-D080M02 | 2A      | 12VDC   | 200g                      |
| Match P/N    | Current | Voltage | Magnetic Adsorption Force |

| 5                                    | GLUE      | LSR-67   |            |  |
|--------------------------------------|-----------|--|------------|--|
| 4                                    | MAGNET    | N52 NdFeB, Nickel plating  |            |  |
| 3                                    | SLEEVE    | Lead Free Brass, Nickel plating  |            |  |
| 2                                    | PIN       | Lead Free Brass., 10u" Gold plating over Nickel                        |            |  |
| 1                                    | HOUSING   | HTN, UL94V-0, Black  |            |  |
| NO.                                  | PART NAME | DESCRIPTION  |            |  |
| UNLESS OTHERWISE SPECIFIED TOLERANCE |           |  |            |  |
| UNIT:                                | SIZE      | LINEAR   | ANGLES     |  |
|                                      | mm        | 0~6  | ±0.1       | ±2°  |
|                                      |           | 6~30   | ±0.2       |  |
| 30~150                               | ±0.3      |  |            |  |
| DRAWN                                |           | Fros   | 2022/03/10 | <br>www.attend.com.tw |
| CHECKED                              |           | Tim  | 2022/03/10 |  |
| APPROVED                             |           | Ken  | 2022/03/10 |  |
| SCALE                                |           | 2.5  | SHEET 1/1  |  |
| DRAWN NAME:                          |           | Pogo Pin Magnet Type, Machine Pin, 2P 8.0D, DIP, 10u", 200g, 5A, black |            |  |
| PRODUCT NO.                          |           | 303D-D080F02   |            |  |
| FILE NAME                            |           | 303D-D080F02_B_1   |            |  |