

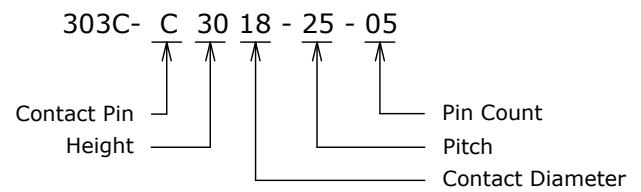
Recommended Layout
General Tolerance: ±0.05mm

REV.	DESCRIPTION	DRAWN	DATE
1	INITIAL RELEASE	FROS	2016/03/30
2	Add section view	FROS	2019/05/15
3	Add oring	FROS	2025/01/06


SPECIFICATION:

1. ELECTRICAL
 - 1.1 Current Rating: 2A per pin
 - 1.2 Voltage Rating: 12V AC/DC
 - 1.3 Contact Resistance: 50mΩ
 - 1.4 Insulation Resistance: 100MΩ
 - 1.5 Dielectric Withstanding Voltage: 500VAC
2. MECHANICAL
 - 2.1 Durability: 20,000 Cycles
3. ENVIRONMENTAL
 - 3.1 Operating temperature range: -40°C~+85°C
 - 3.2 Storage temperature range: -40°C~+85°C
 - 3.3 Waterproof Level: IPX7
4. SOLDER ABILITY
 - 4.1 Peak Temperature: 250°C, 10Sec

How to Order

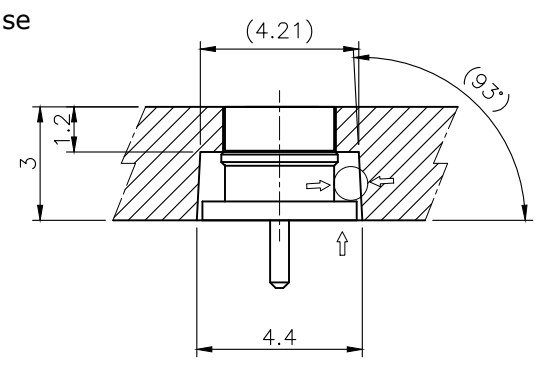
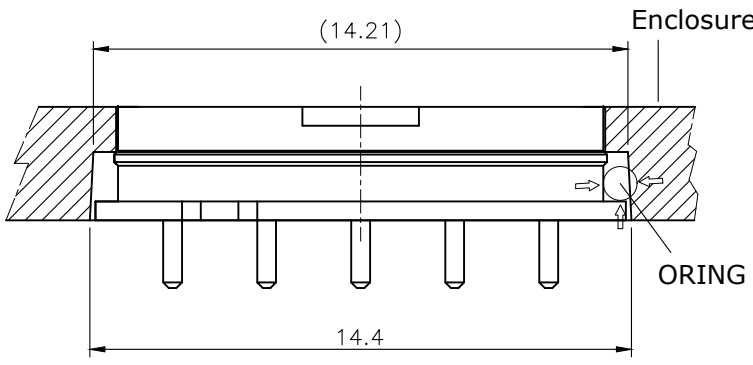
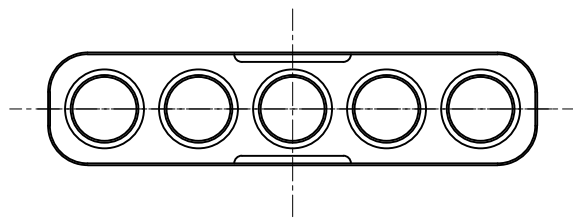


3	O-Ring	Silicone Rubber
2	Contact Pin	Brass, 30u" Gold/ 120u" Nickel Plating
1	Housing	PPA 30%GF, UL94HB, Black

NO.	PART NAME	DESCRIPTION			
UNLESS OTHERWISE SPECIFIED TOLERANCE					
UNIT:	DECIMAL	LINEAR	ANGLES	 ATTEND WWW.ATTEND.COM.TW	
	mm	X.	±0.50		±5°
		X.X	±0.25		±3°
		X.XX	±0.12		±1°
DRAWN	Fros	2016/03/30	DRAWN NAME:		
CHECKED	Amy	2016/03/30	5 Pogo Pin Water Proof Contact Type		
APPROVED	Ken	2016/03/30	PRODUCT NO.	303C-C3018-25-05	
SCALE	5/1	SHEET	1/1	SIZE	A4
		FILE NAME	303C-C3018-25-05_B_2		

REV.	DESCRIPTION	DRAWN	DATE
------	-------------	-------	------

Installation suggestions : Type 1



UNLESS OTHERWISE SPECIFIED TOLERANCE

UNIT:	DECIMAL	LINEAR	ANGLES
mm	X.	±0.50	±5°
	X.X	±0.25	±3°
	X.XX	±0.12	±1°

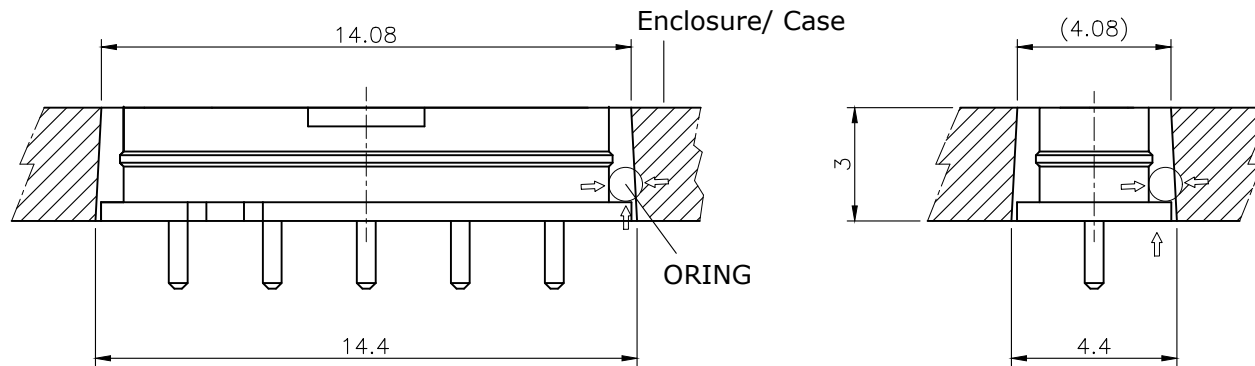
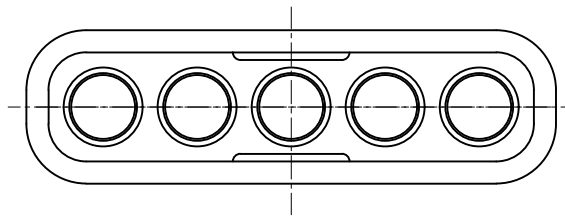


WWW.ATTEND.COM.TW

DRAWN	Fros	2016/03/30
CHECKED	Amy	2016/03/30
APPROVED	Ken	2016/03/30
SCALE	5/1	SHEET 1/1
SIZE	A4	

DRAWN NAME:	5 Pin Pogo Pin Water Proof Contact Type
	5 Pin H3.0 Pitch 2.5 DIP w/o Cap, 30u"
PRODUCT NO.	303C-C3018-25-05
FILE NAME	303C-C3018-25-05_B_2

Installation suggestions : Type 2



UNLESS OTHERWISE SPECIFIED TOLERANCE

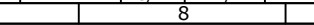
UNIT:	DECIMAL	LINEAR	ANGLES
mm	X.	±0.50	±5°
	X.X	±0.25	±3°
	X.XX	±0.12	±1°



WWW.ATTEND.COM.TW

DRAWN	Fros	2016/03/30
CHECKED	Amy	2016/03/30
APPROVED	Ken	2016/03/30
SCALE	5/1	SHEET 1/1
SIZE	A4	

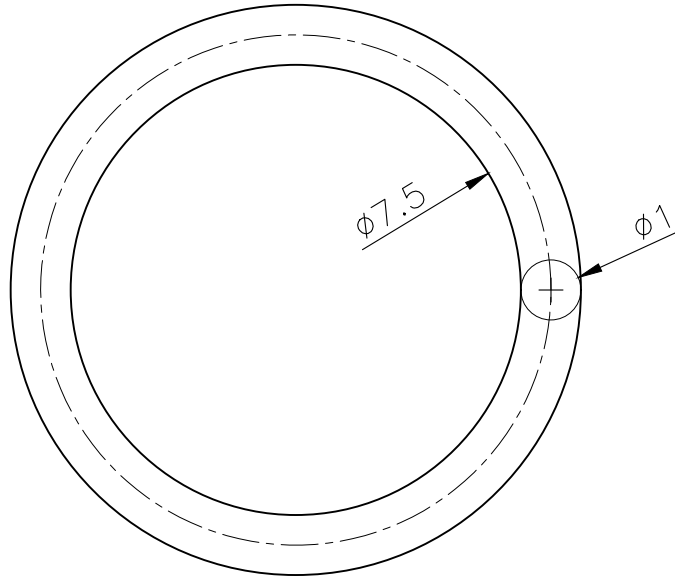
DRAWN NAME:	5 Pin H3.0 Pitch 2.5 DIP w/o Cap, 30u"
PRODUCT NO.	303C-C3018-25-05
FILE NAME	303C-C3018-25-05_B_2



4.4

Oring P/N: 303-0001
 (Connector number does not include oring)

Oring dimensions:



REV.	DESCRIPTION	DRAWN	DATE
------	-------------	-------	------

UNLESS OTHERWISE SPECIFIED TOLERANCE

UNIT:	DECIMAL	LINEAR	ANGLES
mm	X.	± 0.50	$\pm 5^\circ$
	X.X	± 0.25	$\pm 3^\circ$
	X.XX	± 0.12	$\pm 1^\circ$



WWW.ATTEND.COM.TW

DRAWN	Fros	2016/03/30
CHECKED	Amy	2016/03/30
APPROVED	Ken	2016/03/30
	SCALE 5/1	SHEET 1/1
	SIZE A4	

DRAWN NAME:	Pogo Pin Water Proof Contact Type
	5 Pin H3.0 Pitch 2.5 DIP w/o Cap, 30u"
PRODUCT NO.	303C-C3018-25-05
FILE NAME	303C-C3018-25-05_B_2