

Recommended Layout
General Tolerance: ±0.05mm

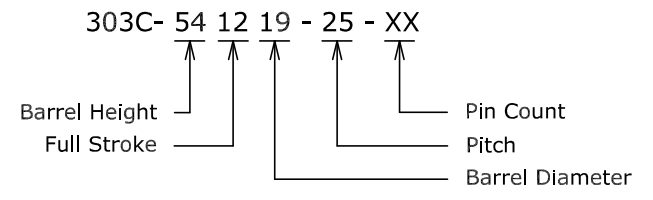
DIM. CODE				
PIN	A	B	D	D
2	6.6	5.6	2.5	5.4
3	9.1	8.1	5.0	7.9
4	11.6	10.6	7.5	10.4
5	14.1	13.1	10.0	12.9
6	16.6	15.6	12.5	15.4
7	19.1	18.1	15.0	17.9
8	21.6	20.6	17.5	20.4
9	24.1	23.1	20.0	22.9
10	26.6	25.6	22.5	25.4

REV.	DESCRIPTION	DRAWN	DATE
2	Add section view	FROS	2019/05/20
3	Add oring	FROS	2025/01/06
4	Add P/N	FROS	2025/04/09

SPECIFICATION:

- ELECTRICAL**
 - Current Rating: 3A per pin
 - Voltage Rating: 24V AC/DC
 - Contact Resistance: 50mΩ
 - Insulation Resistance: 100MΩ
 - Dielectric Withstanding Voltage: 500VAC
- MECHANICAL**
 - Pin Force: 1.0N±0.25N at 0.9mm Stroke
 - Durability: 20,000 Cycles
- ENVIRONMENTAL**
 - Operating temperature range: -40°C~+85°C
 - Storage temperature range: -40°C~+85°C
 - Waterproof Level: IPX7
- SOLDER ABILITY**
 - Peak Temperature: 250°C, 10 sec

How to Order



5	O-Ring	Silicone Rubber
4	Spring	Stainless Steel
3	Barrel	Brass, 2u" Gold/ 80u" Nickel Plating
2	Pin	Brass, 40u" Gold/ 120u" Nickel Plating
1	Housing	PPA 30%GF, UL94HB, Black
NO. PART NAME		DESCRIPTION

UNLESS OTHERWISE SPECIFIED TOLERANCE

UNIT:	DECIMAL	LINEAR	ANGLES
mm	X.	±0.50	±5°
	X.X	±0.25	±3°
	X.XX	±0.12	±1°

WWW.ATTEND.COM.TW

DRAWN	Fros	2016/03/30	DRAWN NAME:				
CHECKED	Amy	2016/03/30	Pogo Pin Water Proof Type, 5 Pin H6.6 Stroke-1.2 Pitch 2.5 Barrel 1.9, DIP w/o Cap, 40u"				
APPROVED	Ken	2016/03/30	PRODUCT NO.	303C-541219-25-XX			
SCALE	5/1	SHEET	1/4	SIZE	A4	FILE NAME	303C-541219-25-XX_B_4

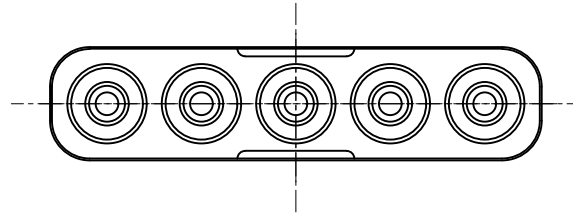


REV.	DESCRIPTION	DRAWN	DATE

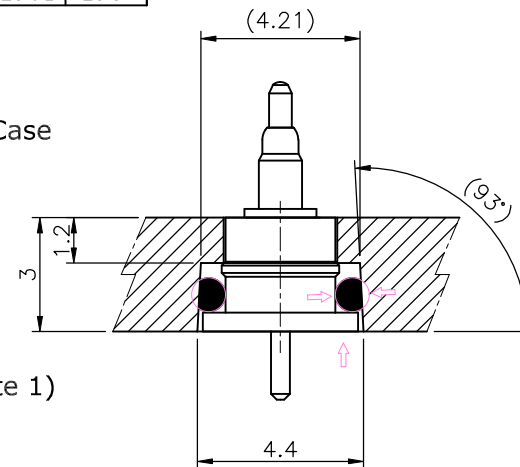
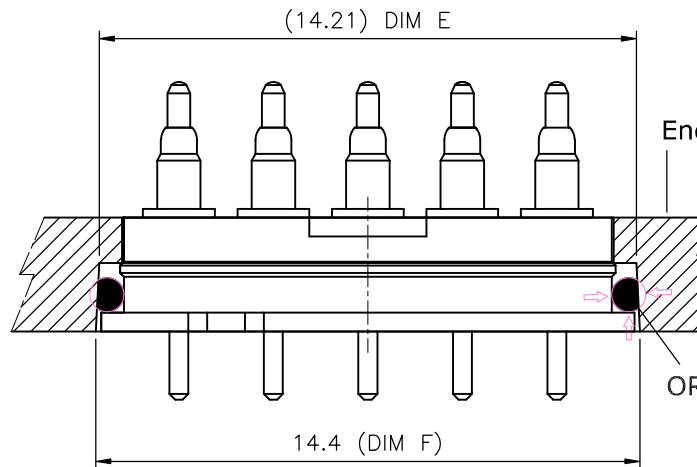
Installation suggestions : Type 1

Gland seal notes:

1. Compression Ratio: 5% < target 20% < 30%
2. Gland Fill: 50% < target 70% < 90%



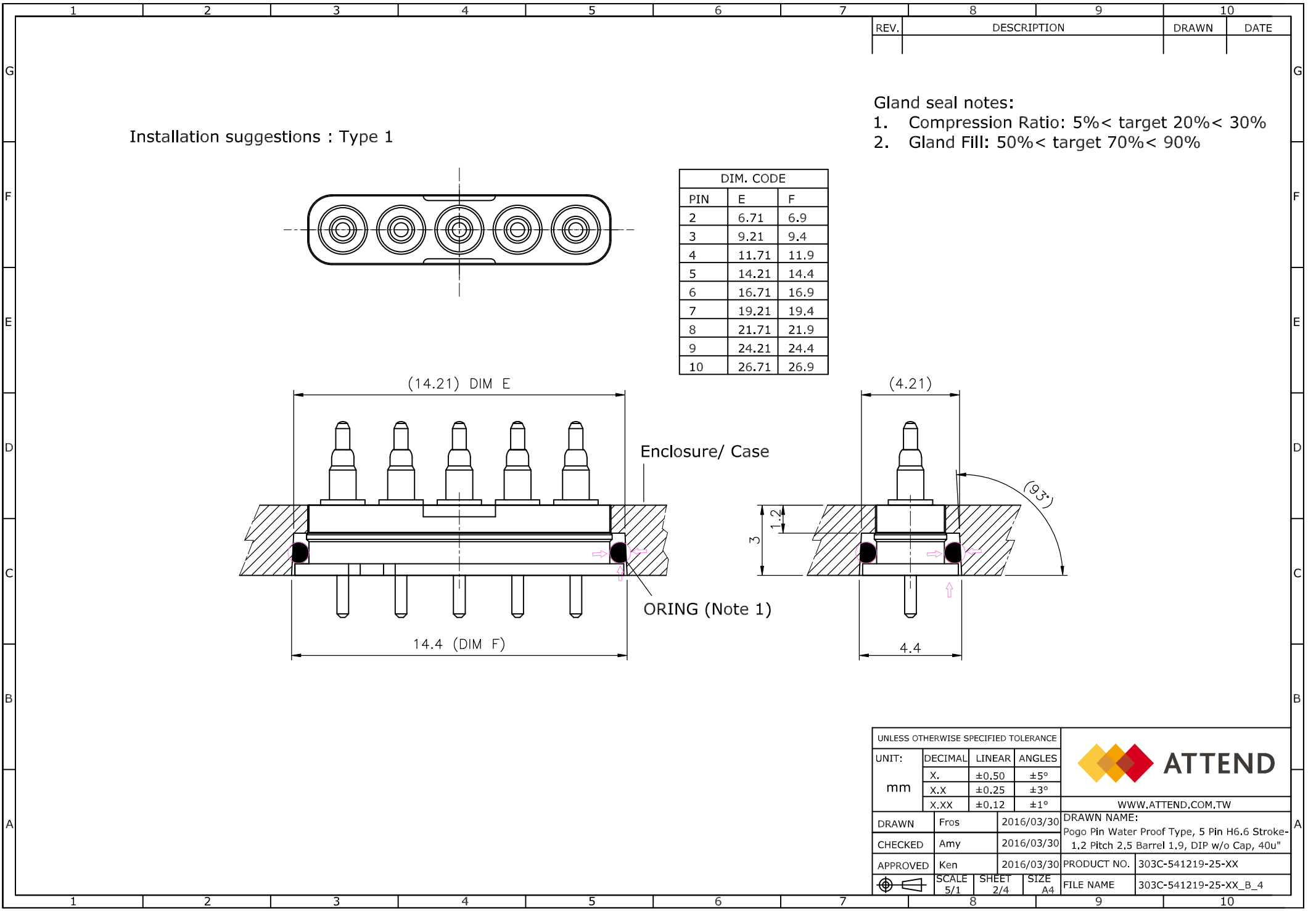
DIM. CODE		
PIN	E	F
2	6.71	6.9
3	9.21	9.4
4	11.71	11.9
5	14.21	14.4
6	16.71	16.9
7	19.21	19.4
8	21.71	21.9
9	24.21	24.4
10	26.71	26.9



UNLESS OTHERWISE SPECIFIED TOLERANCE			
UNIT:	DECIMAL	LINEAR	ANGLES
mm	X.	±0.50	±5°
	X.X	±0.25	±3°
	X.XX	±0.12	±1°



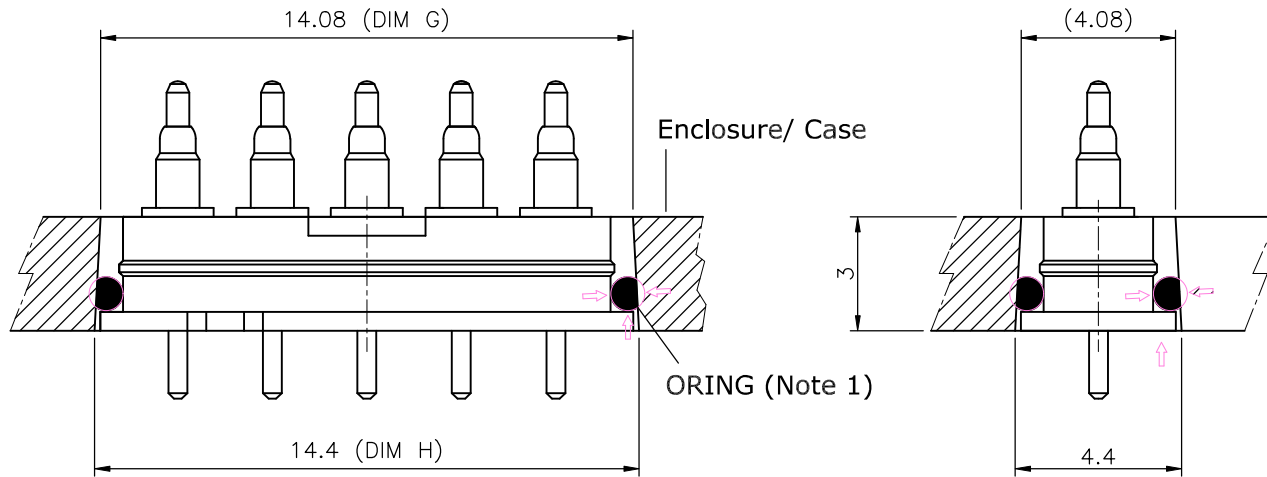
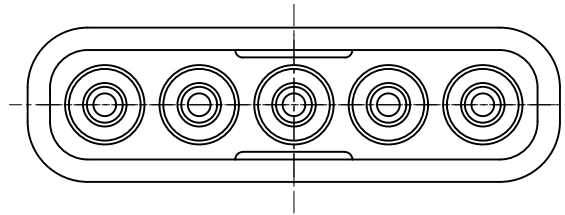
DRAWN	Fros	2016/03/30	DRAWN NAME:	
CHECKED	Amy	2016/03/30	Pogo Pin Water Proof Type, 5 Pin H6.6 Stroke-1.2 Pitch 2.5 Barrel 1.9, DIP w/o Cap, 40u"	
APPROVED	Ken	2016/03/30	PRODUCT NO.	303C-541219-25-XX
SCALE	5/1	SHEET	2/4	SIZE
FILE NAME	303C-541219-25-XX_B_4			


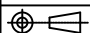


REV.	DESCRIPTION	DRAWN	DATE

Installation suggestions : Type 2

DIM. CODE		
PIN	G	H
2	6.58	6.9
3	9.08	9.4
4	11.58	11.9
5	14.08	14.4
6	16.58	16.9
7	19.08	19.4
8	21.58	21.9
9	24.08	24.4
10	26.58	26.9



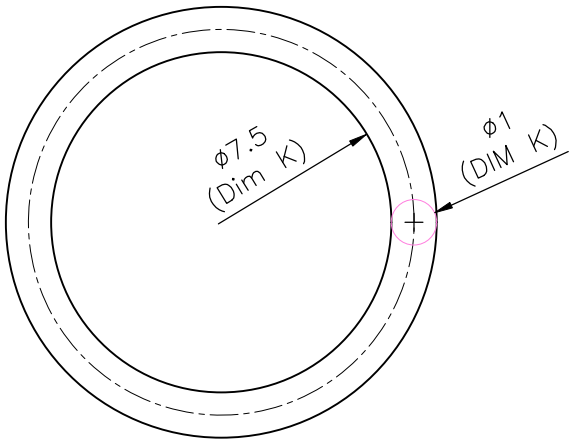
UNLESS OTHERWISE SPECIFIED TOLERANCE					
UNIT:	DECIMAL	LINEAR	ANGLES		
mm	X.	±0.50	±5°	WWW.ATTEND.COM.TW	
	X.X	±0.25	±3°		
	X.XX	±0.12	±1°		
DRAWN	Fros	2016/03/30	DRAWN NAME:		
CHECKED	Amy	2016/03/30	Pogo Pin Water Proof Type, 5 Pin H6.6 Stroke-1.2 Pitch 2.5 Barrel 1.9, DIP w/o Cap, 40u"		
APPROVED	Ken	2016/03/30	PRODUCT NO.	303C-541219-25-XX	
	SCALE	SHEET	SIZE	FILE NAME	303C-541219-25-XX_B_4
	5/1	3/4	A4		

REV.	DESCRIPTION	DRAWN	DATE
------	-------------	-------	------


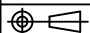
Note 1:

ORING P/N: see table

(The connector number does not include the O-ring, please order it separately if you want ORING)



Pin Count	Part Number	Dim. K
2	303-0003	ID 3.8 * 1.0
3	303-0004	ID 5.0 * 1.0
4	303-0005	ID 6.2 * 1.0
5	303-0001	ID 7.5 * 1.0
6	303-0006	ID 8.5 * 1.0
7	303-0007	ID 10.0 * 1.0
8	303-0008	ID 11.0 * 1.0
9	303-0009	ID 12.2 * 1.0
10	303-0010	ID 14.0 * 1.0

UNLESS OTHERWISE SPECIFIED TOLERANCE					
UNIT:	DECIMAL	LINEAR	ANGLES		
mm	X.	±0.50	±5°	WWW.ATTEND.COM,TW	
	X.X	±0.25	±3°		
	X.XX	±0.12	±1°		
DRAWN	Fros	2016/03/30	DRAWN NAME:		
CHECKED	Amy	2016/03/30	Pogo Pin Water Proof Type, 5 Pin H6.6 Stroke-1.2 Pitch 2.5 Barrel 1.9, DIP w/o Cap, 40u"		
APPROVED	Ken	2016/03/30	PRODUCT NO.	303C-541219-25-XX	
	SCALE 5/1	SHEET 4/4	SIZE A4	FILE NAME	303C-541219-25-XX_B_4