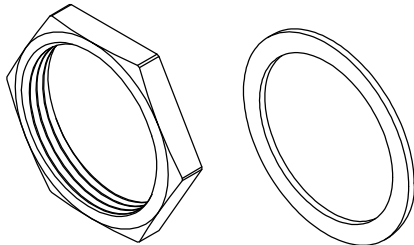
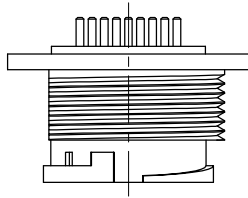
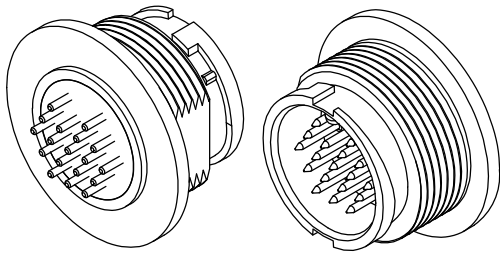


REV.	DESCRIPTION	DRAWN	DATE
1	INITIAL RELEASE	TIM	2020/06/10

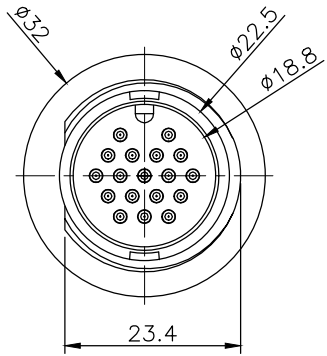
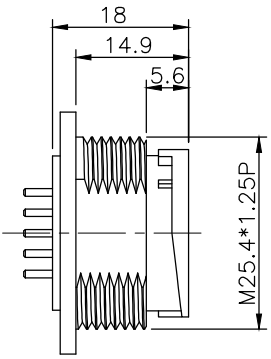


Nut Gasket

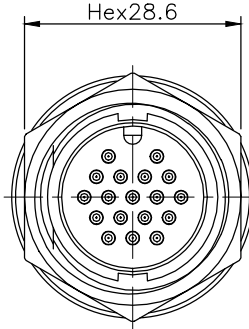
Accessories

SPECIFICATION:

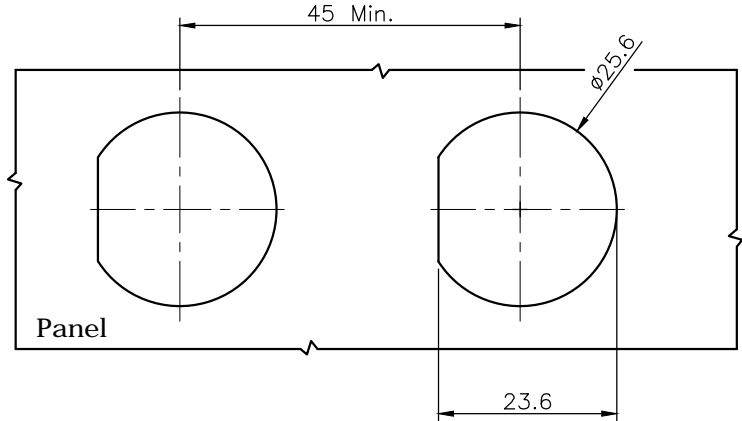
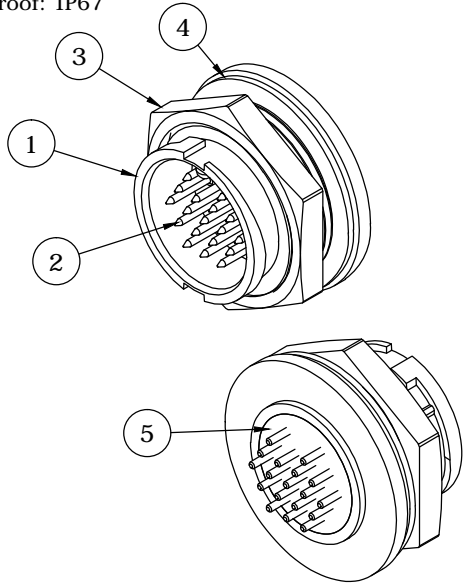
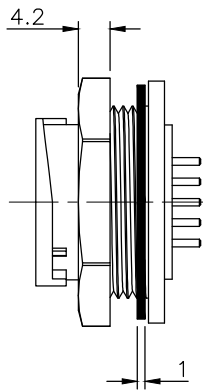
1. Current Rating: 5A per pin (see P2. table)
2. Contact Resistance: 10mΩ
3. Insulation Resistance: 100MΩ
4. Dielectric Withstanding Voltage: 500VAC
5. Durability: 1000 Cycle
6. Operating temperature range: -40°C~+85°C
7. Storage temperature range: -40°C~+85°C
8. Water Proof: IP67



Body



Assembly View



Recommend Panel Cut

5	GLUE	EPOXY
4	GASKET	Silicone, Gray
3	HEX NUT	PA66, UL94V-0, Black
2	CONTACT	Brass, 1u' Min. Gold Plating over Nickel
1	HOUSING	PA66, UL94V-0, Black

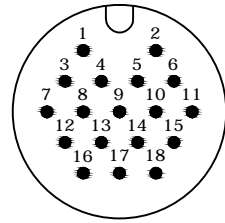
NO.		PART NAME		DESCRIPTION	
UNLESS OTHERWISE SPECIFIED TOLERANCE					
UNIT:	DECIMAL	LINEAR	ANGLES		
	X.	±0.50	±5°		
	X.X	±0.25	±3°		
mm	X.XX	±0.12	±1°		
DRAWN		Tim	2020/06/10	DRAWN NAME:	
CHECKED		Fros	2020/06/10	D Size Connector, Panel Fixed Front Fastened Bayonet, M Skt M DIP Pin	
APPROVED		Ken	2020/06/10	PRODUCT NO.	see page 2 table
SCALE		1/1	SHEET	1/2	SIZE
FILE NAME		227D-DMM0_B_1			



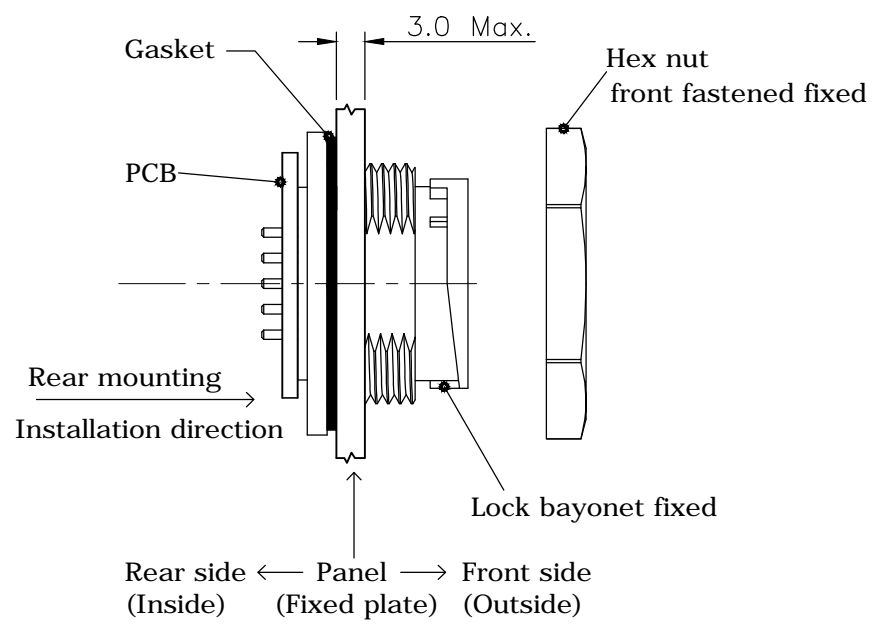
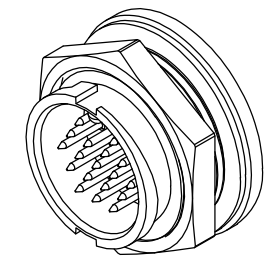
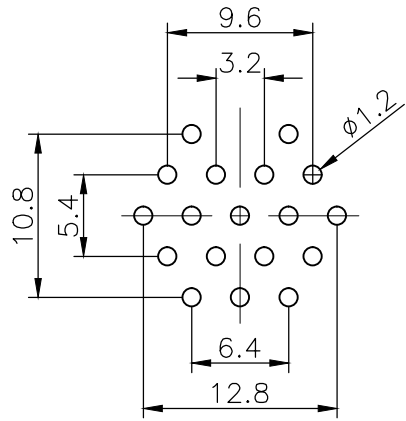
www.attend.com.tw

REV.	DESCRIPTION	DRAWN	DATE
	SEE SHEET ONE		


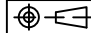
**TABLE: Pin Count/ Pin Assignment/
Current Rating/ Part Number**

Part Number	227D-18M04
Pin Assignment	
Pin Count	18Pin
Current Rating	5A

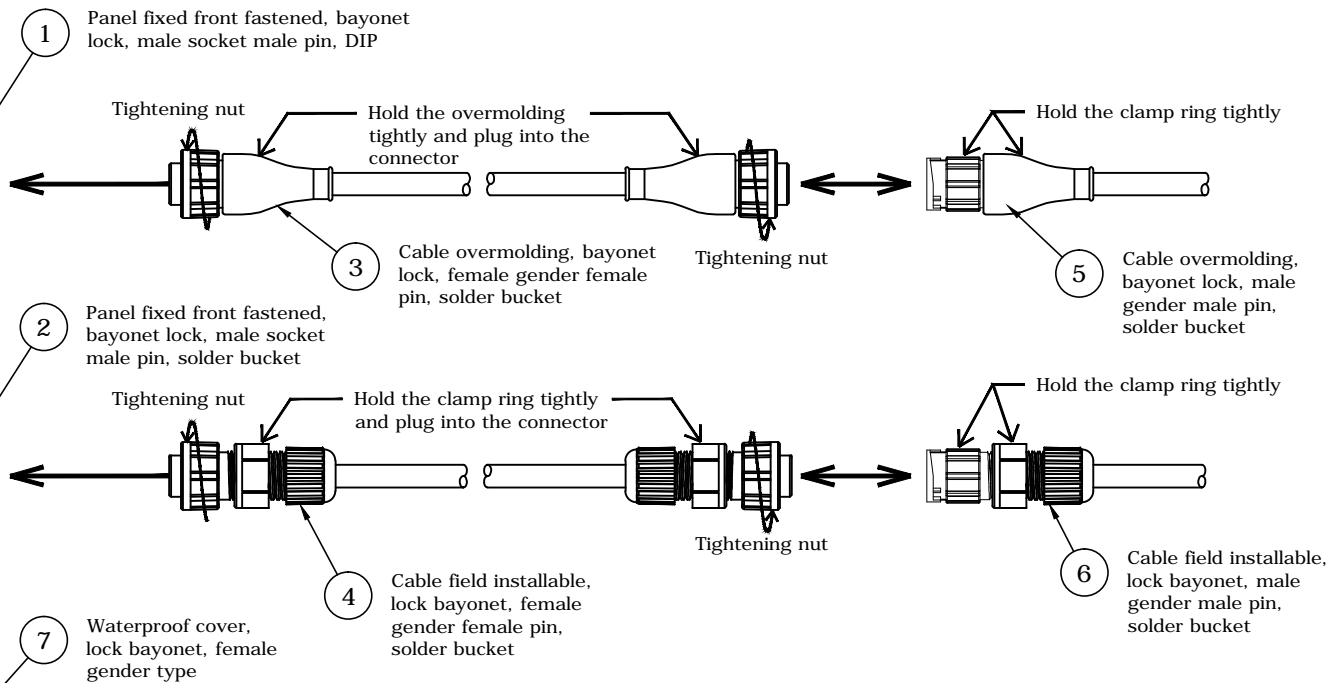
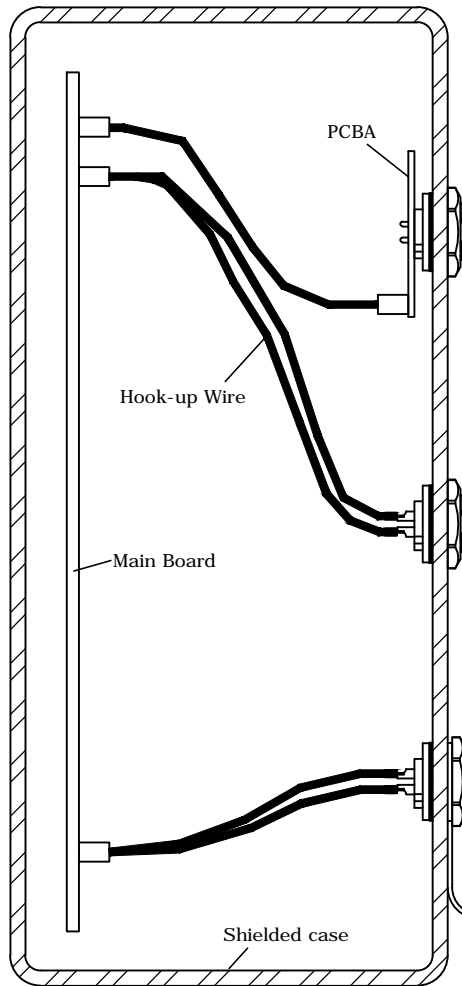
**Recommended layout (top view)
General tolerance: ±0.05mm**



Drawing Number: 227D-DMM0
Description: D size connector, panel fixed front fastened bayonet lock, male Socket male pin, DIP type


UNLESS OTHERWISE SPECIFIED TOLERANCE				 ATTEND www.attend.com.tw
UNIT:	DECIMAL	LINEAR	ANGLES	
mm	X.	±0.50	±5°	
	X.X	±0.25	±3°	
	X.XX	±0.12	±1°	
DRAWN	Tim	2020/06/10	DRAWN NAME:	
CHECKED	Fros	2020/06/10	D Size Connector, Panel Fixed Front Fastened Bayonet, M Skt M DIP Pin	
APPROVED	Ken	2020/06/10	PRODUCT NO. see table	
	SCALE n/a	SHEET 2/2	SIZE A4	FILE NAME 227D-DMM0_B_1

REV.	DESCRIPTION	DRAWN	DATE
1	INITIAL RELEASE	TIM	2020/06/10



Application	Ball no.	Drawing Number	Gender		Matchable drawing numbers			
			Conn. type	Pin type	1	2	3	4
Panel Fixed	①	227D-DMM0	Male	Male	227D-MFF0	227D-AFF0	227D-0001	
	②	227D-SMM0			③	④	⑦	
Cable	③	227D-MFF0	Female	Female	227D-DMM0	227D-SMM0	227D-MMM0	227D-AMM0
	④	227D-AFF0			①	②	⑤	⑥
	⑤	227D-MMM0	Male	Male	227D-MFF0	227D-AFF0	227D-0001	
⑥	227D-AMM0	③			④	⑦		
Accessories	⑦	227D-0001	Female		①	②	⑤	⑥

UNLESS OTHERWISE SPECIFIED TOLERANCE			
UNIT:	DECIMAL	LINEAR	ANGLES
mm	X.	±0.50	±5°
	X.X	±0.25	±3°
	X.XX	±0.12	±1°
DRAWN	Tim	2020/06/10	
CHECKED	Fros	2020/06/10	
APPROVED	Ken	2020/06/10	
SCALE	1/2	SHEET	1/1
		SIZE	A4



ATTEND

www.attend.com.tw

DRAWN NAME:
D Size Water Proof Connector
Application Drawing

PRODUCT NO.:

FILE NAME: 227D-Series_B_1