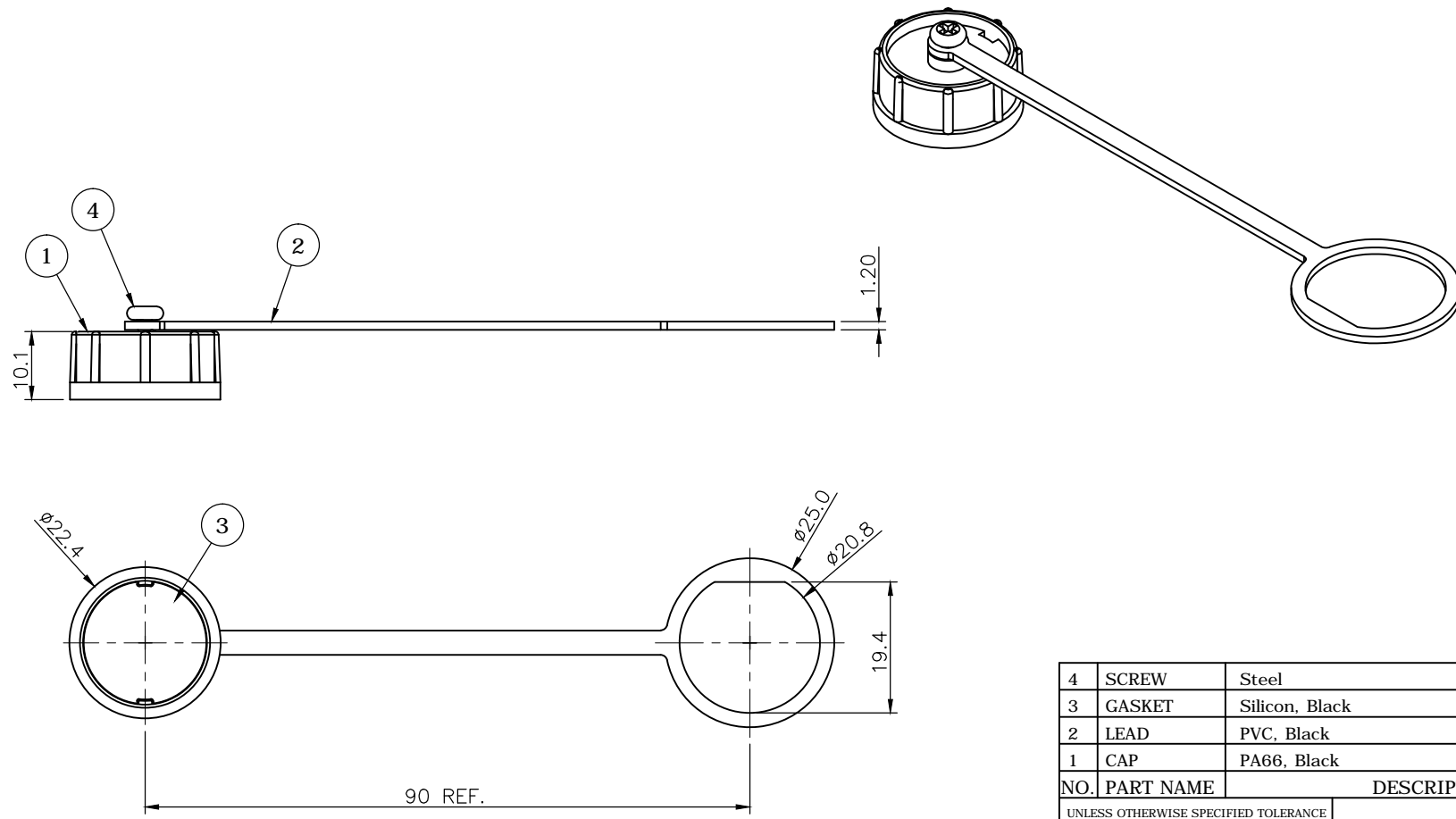


REV.	DESCRIPTION	DRAWN	DATE
1	INITIAL RELEASE	TIM	2020/06/10



4	SCREW	Steel		
3	GASKET	Silicon, Black		
2	LEAD	PVC, Black		
1	CAP	PA66, Black		
NO.	PART NAME	DESCRIPTION		
UNLESS OTHERWISE SPECIFIED TOLERANCE				
UNIT:	DECIMAL	LINEAR	ANGLES	
mm	X.	±0.50	±5°	
	X.X	±0.25	±3°	
	X.XX	±0.12	±1°	
DRAWN	Tim	2020/06/10	DRAWN NAME: C Size Waterproof Cover Lock Bayonet Type	
CHECKED	Fros	2020/06/10		
APPROVED	Ken	2020/06/10		
SCALE		SHEET	SIZE	PRODUCT NO.
1/1		1/1	A4	227C-0001
FILE NAME		227C-0001_B_1		



www.attend.com.tw