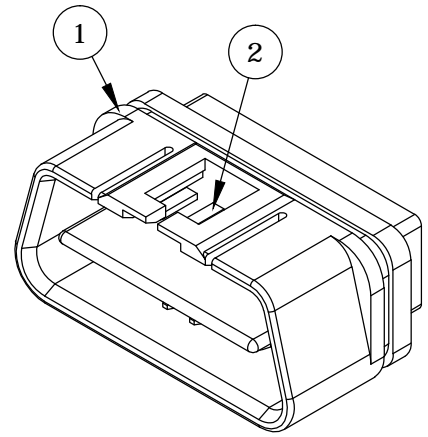
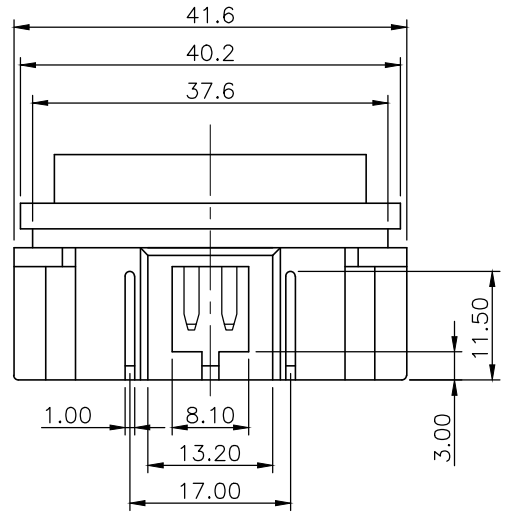
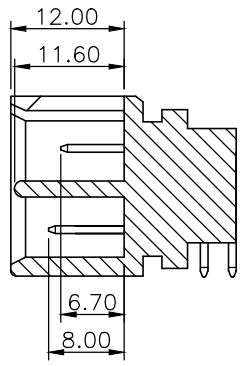
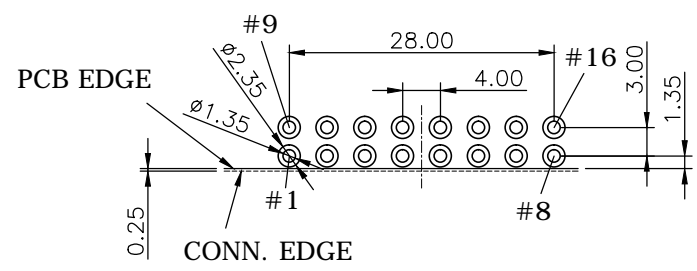
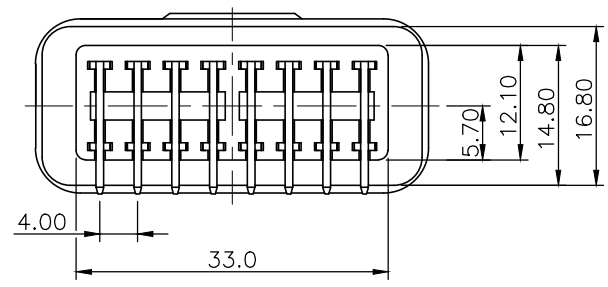
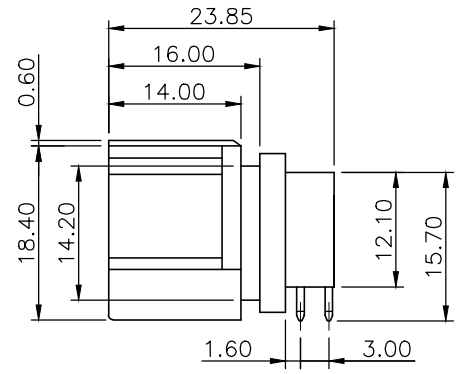
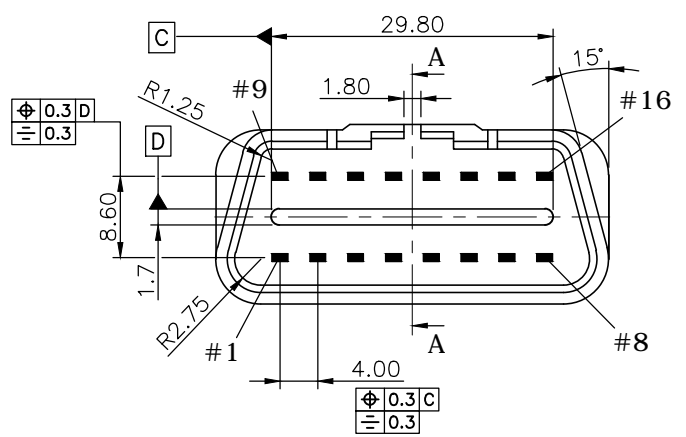


REV.	DESCRIPTION	DRAWN	DATE
1	INITIAL RELEASE	TIM	2019/03/15



SPECIFICATION:

1. ELECTRICAL
 - 1.1 Current Rating: 6A Max
 - 1.2 Voltage Rating: 30V DC
 - 1.3 Contact Resistance: 100mΩ Max
 - 1.4 Insulation Resistance: 100MΩ Min
 - 1.5 Dielectric Withstanding Voltage: 1000VAC
2. MECHANICAL
 - 2.1 Durability: 200 Cycle
 - 2.2 Insertion Force: 142N max.
 - 2.3 Extraction Force: 88N max.
3. ENVIRONMENTAL
 - 3.1 Operating temperature range: -40 °C~+85°C



RECOMMENDED LAYOUT (TOP VIEW)
GENERAL TOLERANCE: ±0.05mm

SECTION A-A

2	CONTACT	BRASS, BRIGHT TIN PLATED UNDER NICKEL	
1	HOUSING	Nylon 66, UL94V-0, Black	
NO.	PART NAME	DESCRIPTION	
UNLESS OTHERWISE SPECIFIED TOLERANCE			
UNIT:	DECIMAL	LINEAR	ANGLES
	mm	X. ±0.50	±5°
		X.X ±0.25	±3°
		X.XX ±0.12	±1°
DRAWN		Tim	2019/03/15
CHECKED		Fros	2019/03/15
APPROVED		Ken	2019/03/15
SCALE		1.25	SHEET 1/1
SIZE		A4	FILE NAME
			226A-1202_B_1



www.attend.com.tw

DRAWN NAME:
 OBD2 Type A Male Connector,
 16Pin, 12V, R/A, DIP

PRODUCT NO. 226A-1202