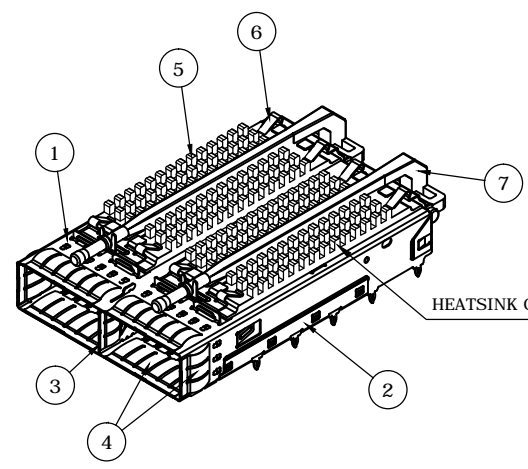
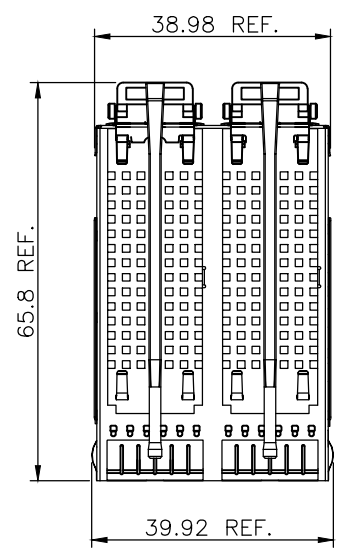
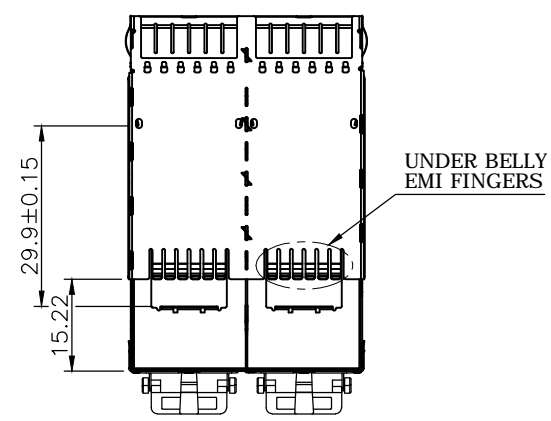
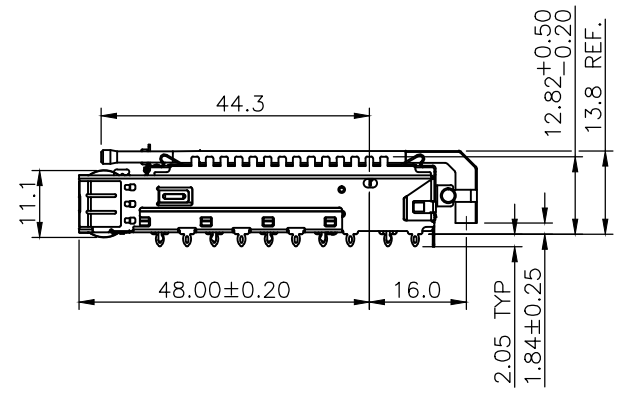
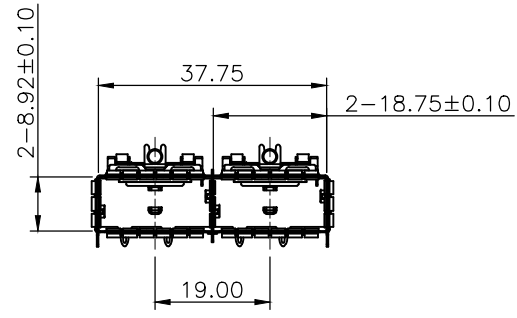


REV.	DESCRIPTION	DRAWN	DATE
1	INITIAL RELEASE	TIM	2016/09/12



HEATSINK OPTIONALS : SEE SHEET #2



NO.	PART NAME	DESCRIPTION
7	LIGHT PIPE	CLEAR POLYCARBONATE
6	Heat Sink Clip	Stainless Steel
5	Heat Sink	Aluminum
4	EMI SPRING	Stainless Steel
3	PARTITION	Stainless Steel, 0.25t
2	CAGE DOWN	Stainless Steel, 0.25t
1	CAGE UP	Stainless Steel, 0.25t

UNLESS OTHERWISE SPECIFIED TOLERANCE			
UNIT:	DECIMAL	LINEAR	ANGLES
mm	X.	±0.50	±5°
	X.X	±0.25	±3°
	X.XX	±0.12	±1°

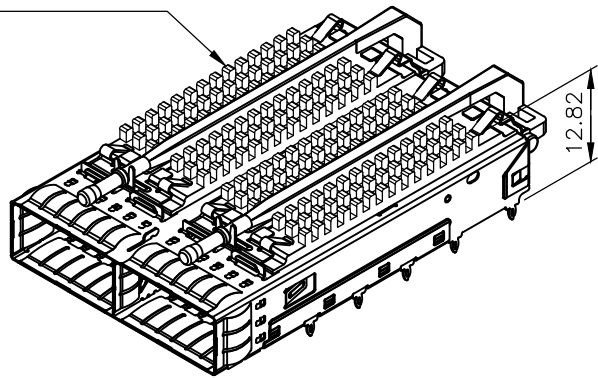


WWW.ATTEND.COM.TW

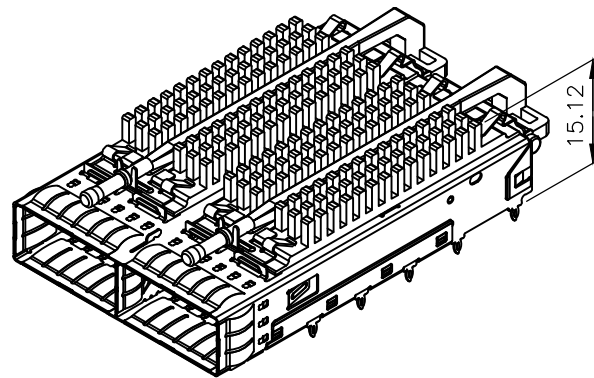
DRAWN	Tim	2016/09/12	DRAWN NAME:	QSF Connector, 1x2 Port			
CHECKED	Fros	2016/09/12		Press fit type cage with heatsink, Light pipe			
APPROVED	Ken	2016/09/12	PRODUCT NO.	223C-1207			
SCALE	0.8	SHEET	1/5	SIZE	A4	FILE NAME	223C-1207_B_1

REV.	DESCRIPTION	DRAWN	DATE
	SEE SHEET ONE		

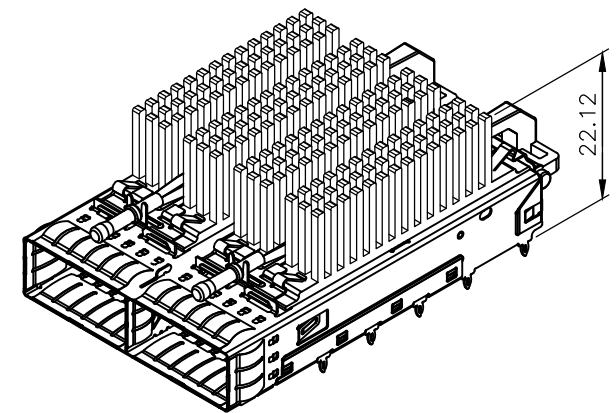
WITH HEATSINK
WITH SINGLE LIGHT PIPE



PCI HEATSINK



SAN HEATSINK



NET HEATSINK

UNLESS OTHERWISE SPECIFIED TOLERANCE

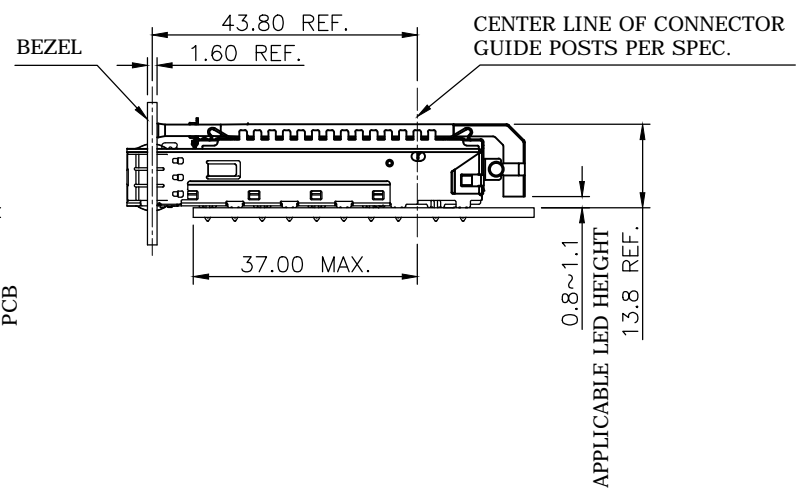
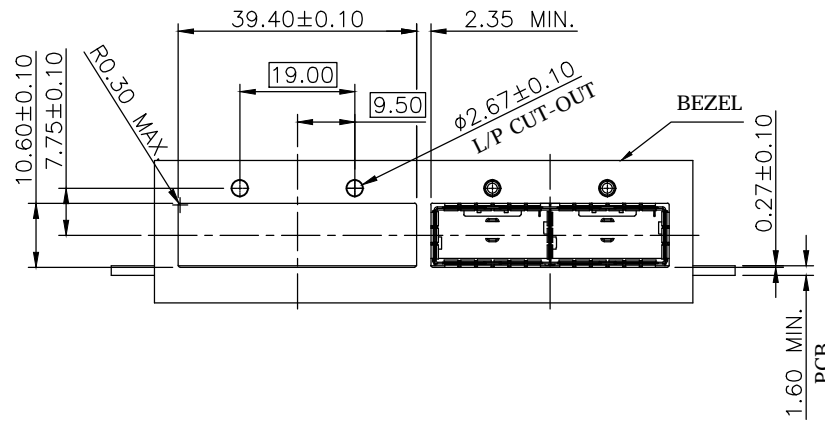
UNIT:	DECIMAL	LINEAR	ANGLES
mm	X.	±0.50	±5°
	X.X	±0.25	±3°
	X.XX	±0.12	±1°



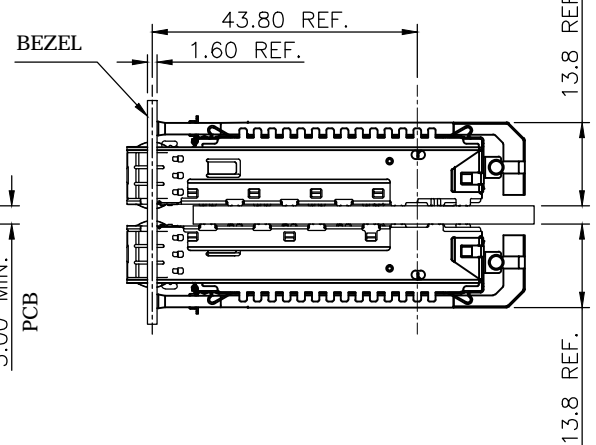
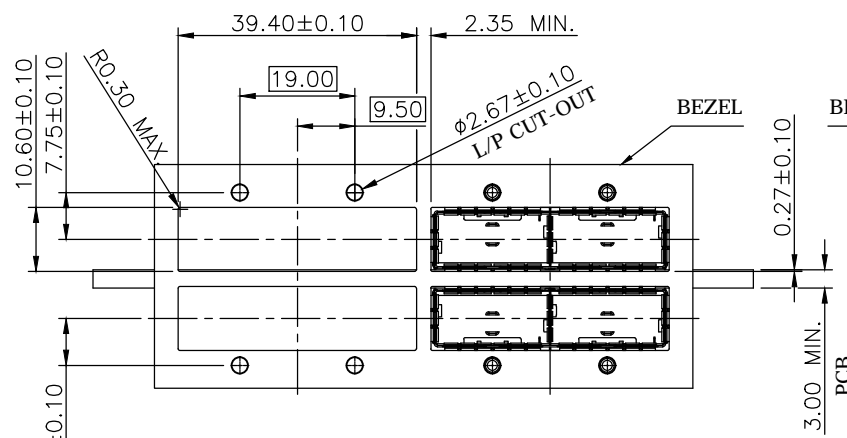
WWW.ATTEND.COM.TW

DRAWN	Tim	2016/09/12	DRAWN NAME:
CHECKED	Fros	2016/09/12	QSFP Connector, 1x2 Port Press fit type cage with heatsink, Light pipe
APPROVED	Ken	2016/09/12	PRODUCT NO. 223C-1207
SCALE	1.0	SHEET	2/5
SIZE	A4	FILE NAME	223C-1207_B_1

REV.	DESCRIPTION	DRAWN	DATE
	SEE SHEET ONE		



BEZEL AND BOARD POSITION DIMENSION FOR SINGLE SIDE MOUNTING (BEHIND BEZEL)

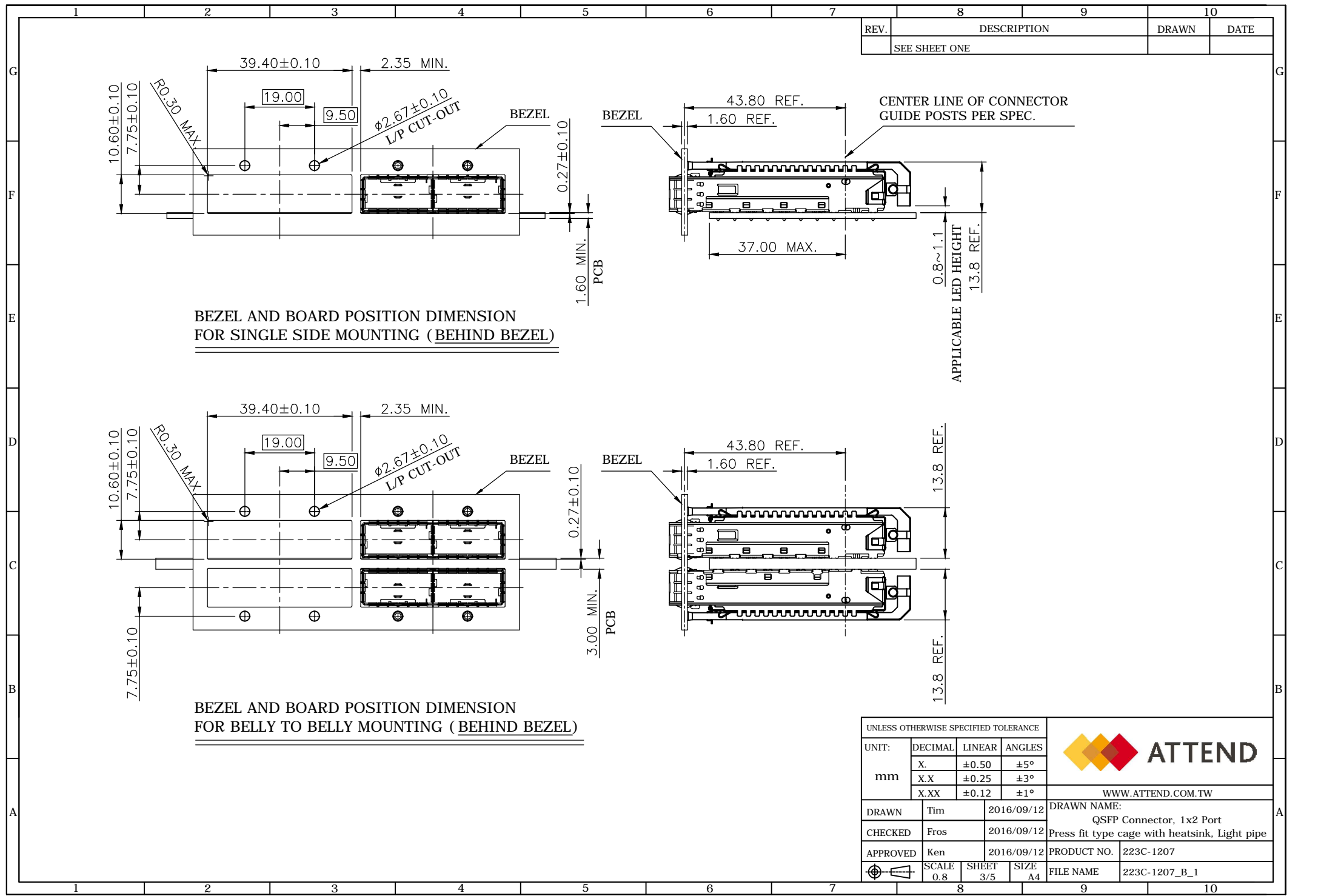


BEZEL AND BOARD POSITION DIMENSION FOR BELLY TO BELLY MOUNTING (BEHIND BEZEL)

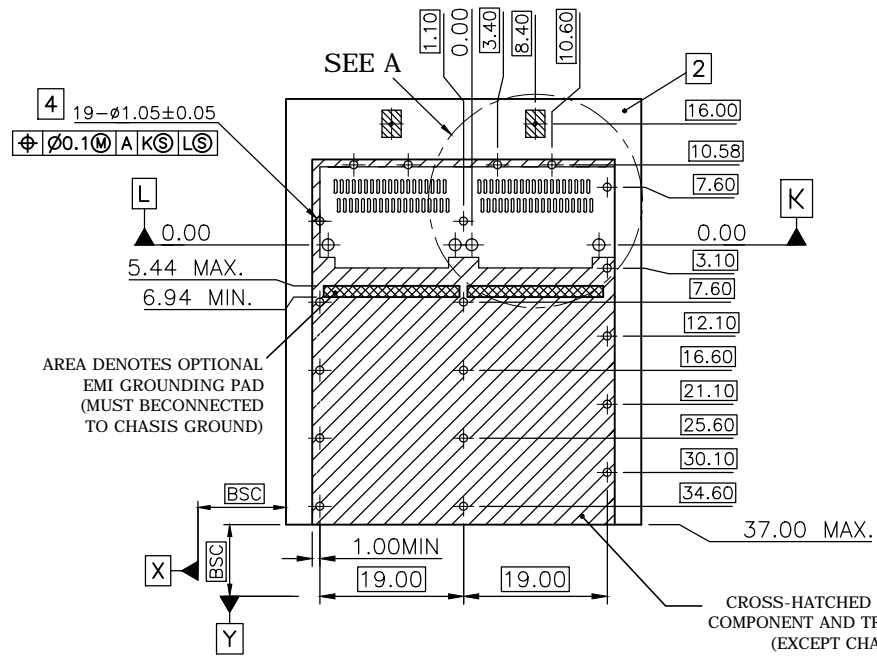
UNLESS OTHERWISE SPECIFIED TOLERANCE							
UNIT:	DECIMAL	LINEAR	ANGLES				
mm	X.	±0.50	±5°				
	X.X	±0.25	±3°				
	X.XX	±0.12	±1°				
DRAWN	Tim	2016/09/12	DRAWN NAME: QSPF Connector, 1x2 Port Press fit type cage with heatsink, Light pipe				
CHECKED	Fros	2016/09/12					
APPROVED	Ken	2016/09/12					
SCALE	0.8	SHEET	3/5	SIZE	A4	FILE NAME	223C-1207_B_1

ATTEND

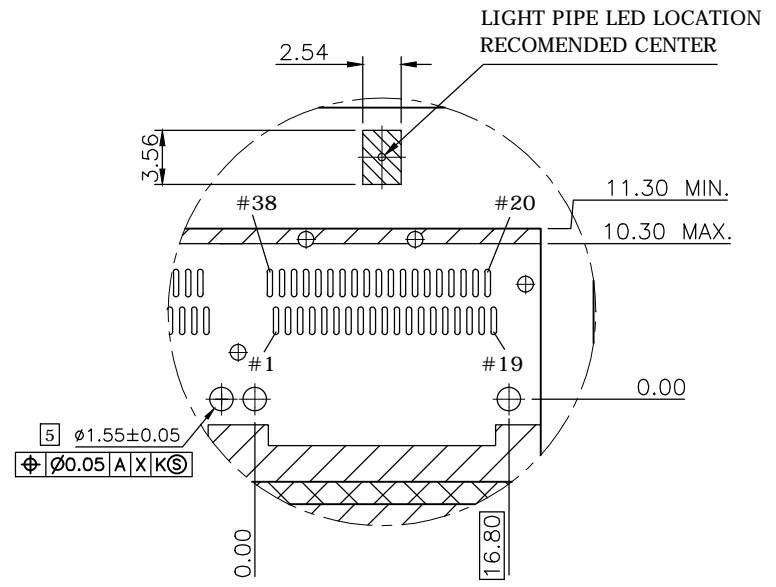
WWW.ATTEND.COM.TW



REV.	DESCRIPTION	DRAWN	DATE
	SEE SHEET ONE		




RECOMMENDED SINGLE SIDE PC BOARD LAYOUT



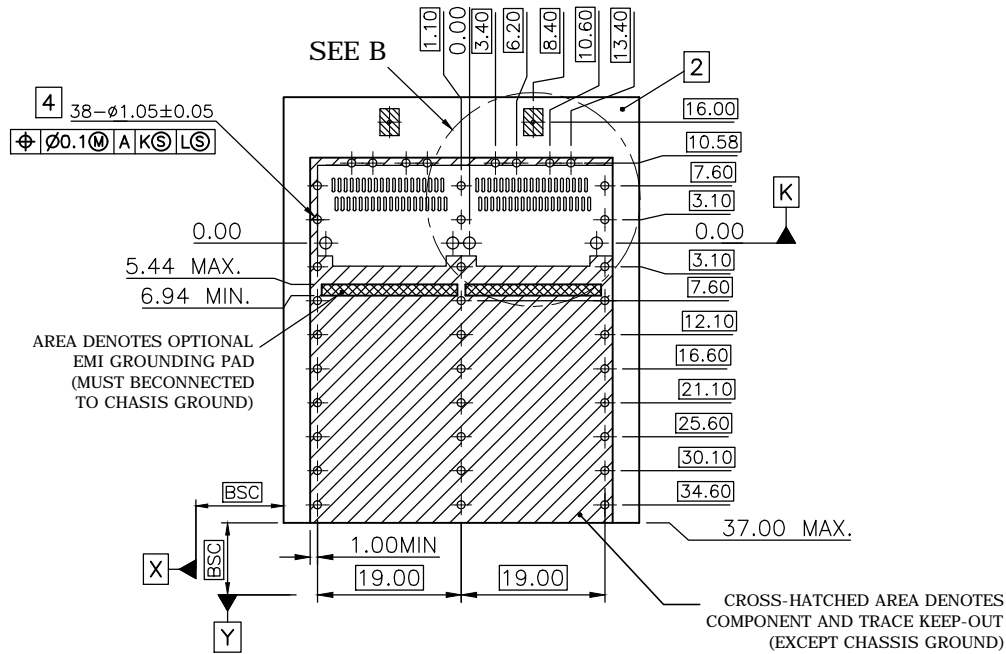
DETAIL A
SCALE 2:1

NOTES:

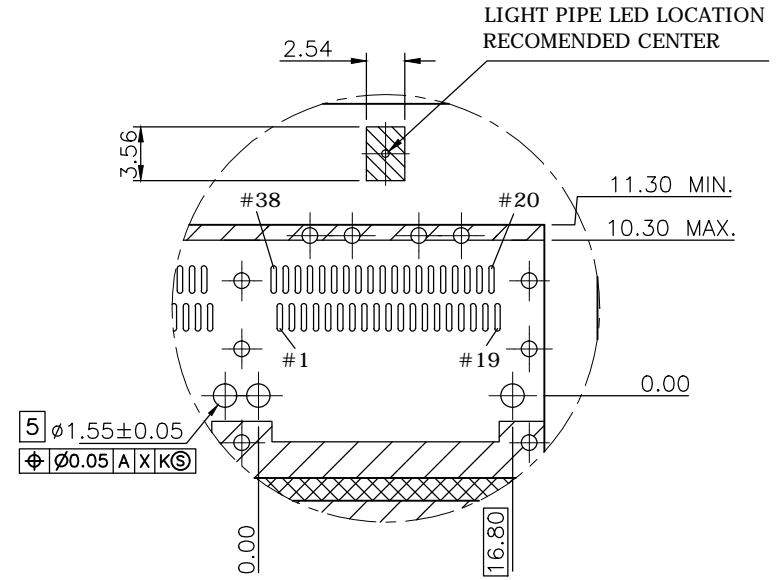
1. DATUM X & Y ARE ESTABLISHED BY THE CUSTOMER'S FIDUCIAL
2. DATUM A IS THE TOP SURFACE OF THE HOST BOARD
3. LOCATION OF THE EDGE OF PCB IS APPLICATION SPECIFIC
4. FINISHED HOLE SIZE
5. UNPLATED THRU HOLE.

UNLESS OTHERWISE SPECIFIED TOLERANCE				 WWW.ATTEND.COM.TW
UNIT:	DECIMAL	LINEAR	ANGLES	
mm	X.	±0.50	±5°	
	X.X	±0.25	±3°	
	X.XX	±0.12	±1°	
DRAWN	Tim	2016/09/12	DRAWN NAME:	
CHECKED	Fros	2016/09/12	QSFPC Connector, 1x2 Port Press fit type cage with heatsink, Light pipe	
APPROVED	Ken	2016/09/12	PRODUCT NO. 223C-1207	
SCALE 1.0		SHEET 4/5	SIZE A4	FILE NAME 223C-1207_B_1

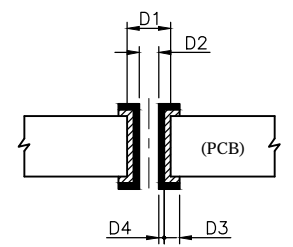
REV.	DESCRIPTION	DRAWN	DATE
	SEE SHEET ONE		



RECOMMENDED BELLY TO BELLY PC BOARD LAYOUT




**DETAIL B
SCALE 2: 1**



FINISHED HOLE SIZE SPECS

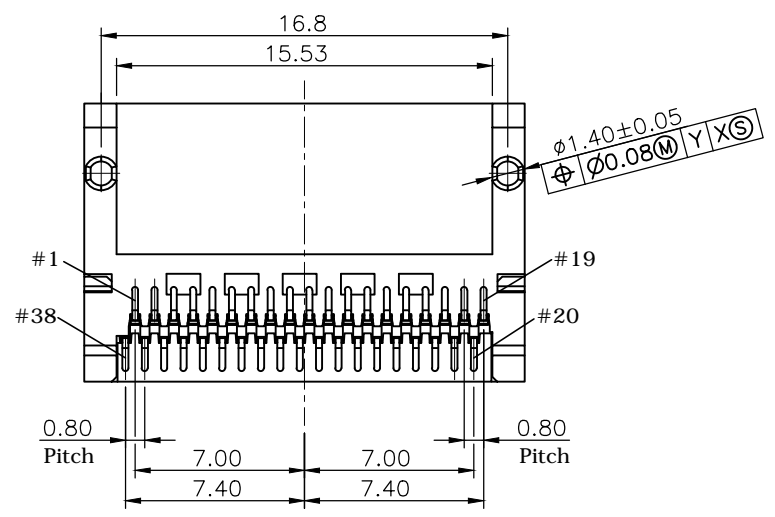
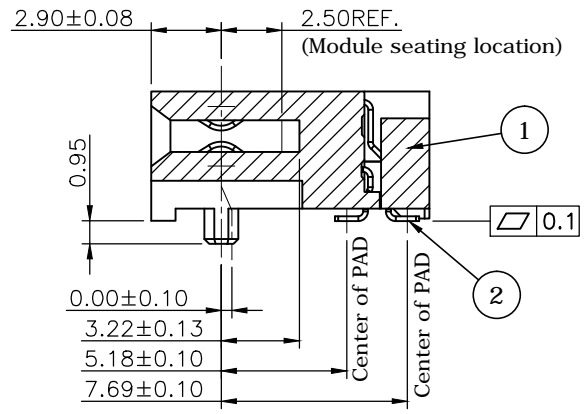
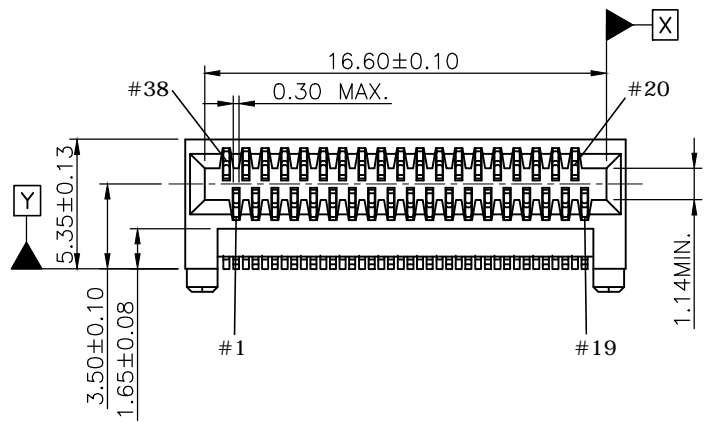
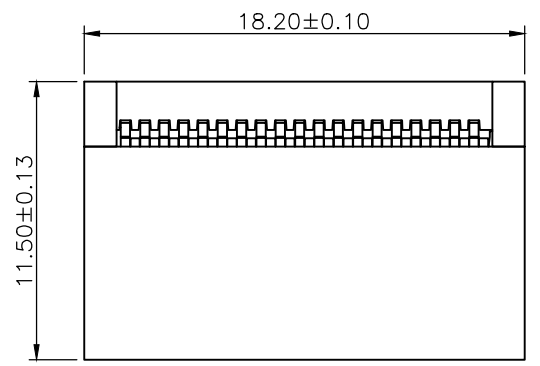
DIMENSIONS NOTE:
D1: 1.15±0.02
D2: 1.05±0.05
D3: 0.025~0.05mm
D4: 0.004~0.01mm Hot Air Solder Leveling (HASL) Tin-Lead
0.0005mm min. Immersion Tin
0.0002~0.0005mm Organic Solderability Preservative (OSP)
0.004~0.0076mm Nickel, 0.0001~0.0005 Immersion Gold

UNLESS OTHERWISE SPECIFIED TOLERANCE				 WWW.ATTEND.COM.TW
UNIT:	DECIMAL	LINEAR	ANGLES	
mm	X.	±0.50	±5°	
	X.X	±0.25	±3°	
	X.XX	±0.12	±1°	
DRAWN	Tim	2016/09/12	DRAWN NAME:	
CHECKED	Fros	2016/09/12	Press fit type cage with heatsink, Light pipe	
APPROVED	Ken	2016/09/12	PRODUCT NO. 223C-1207	
SCALE	1.0	SHEET 5/5	SIZE A4	FILE NAME 223C-1207_B_1

REV.	DESCRIPTION	DRAWN	DATE
1	INITIAL RELEASE	FROS	2015/09/02
2	CHANGE P/N, SFP002-F38 -> 223C-00E0	FROS	2016/10/30

SPECIFICATION:

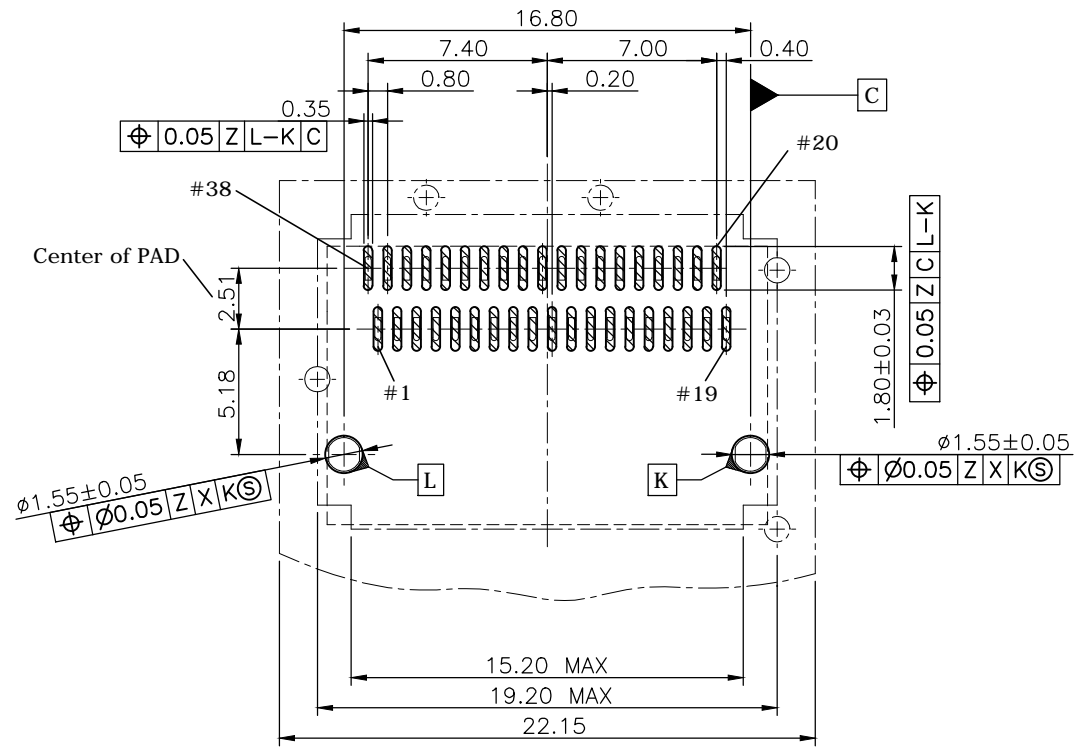
1. ELECTRICAL
 - 1.1 Current Rating: 0.5A max.
 - 1.2 Voltage Rating: 30V AC/DC max.
 - 1.3 Contact Resistance: 80mΩ max.
 - 1.4 Dielectric Withstanding Voltage: 300VAC
2. ENVIRONMENTAL
 - 2.1 Operating temperature range: -20°C~+85°C



2	CONTACT	COPPER ALLOY, CONTACT AREA: 15u" GOLD	
		SOLDER AREA: 100u" TIN	
		UNDER PLATED: 50u" NICKEL	
1	HOUSING	THERMOPLASTIC UL94V-0, BLACK	
NO.	PART NAME	DESCRIPTION	
UNLESS OTHERWISE SPECIFIED TOLERANCE			
UNIT:	DECIMAL	LINEAR	ANGLES
	X.	±0.50	±5°
	X.X	±0.25	±3°
mm	X.XX	±0.12	±1°
WWW.ATTEND.COM.TW			
DRAWN	Fros	2015/09/02	DRAWN NAME:
CHECKED	Zola	2015/09/02	QSFP Connector, Female, 38 Pin 15u" Gold, Solder Tin Plating
APPROVED	Ken	2015/09/02	PRODUCT NO. 223C-00E0
SCALE	3.2/1	SHEET	1/2
SIZE	A4	FILE NAME	223C-00E0_B_1



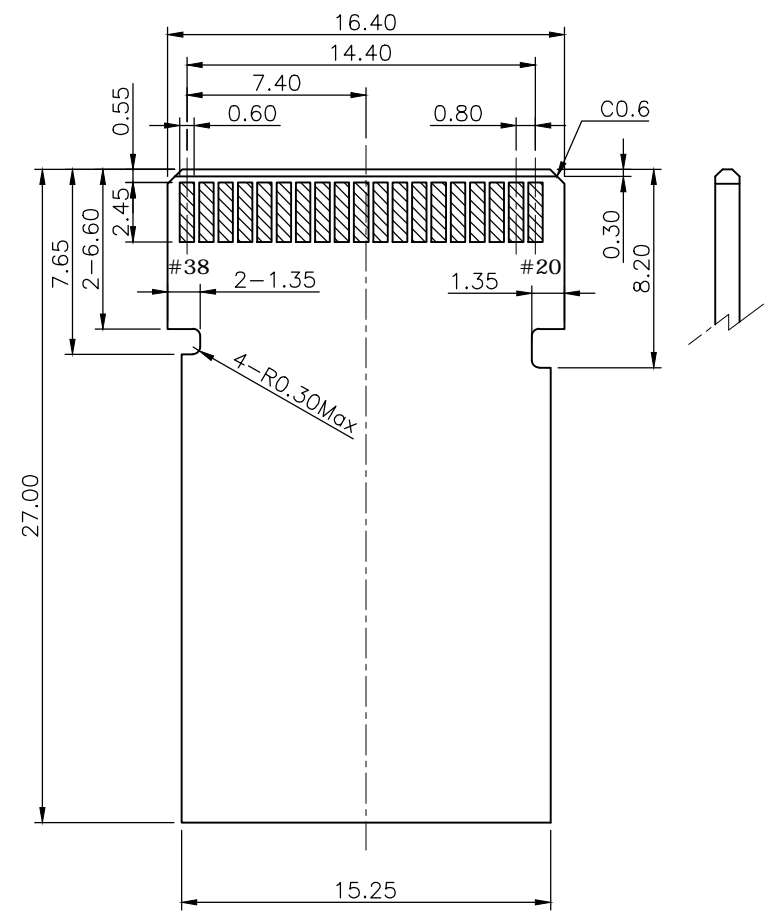
REV.	DESCRIPTION	DRAWN	DATE
	SEE SHEET ONE		



Datum Z is the top surface of the host board

- connector
- cage area
- PAD

RECOMMENDED LAYOUT (TOP VIEW)
GENERAL TOLERANCE: ±0.05mm



PCB DIMENSIONS
GENERAL TOLERANCE: ±0.05mm

UNLESS OTHERWISE SPECIFIED TOLERANCE				
UNIT:	DECIMAL	LINEAR	ANGLES	
mm	X.	±0.50	±5°	
	X.X	±0.25	±3°	
	X.XX	±0.12	±1°	
DRAWN	Fros	2015/09/02	DRAWN NAME: QSFPC Connector, Female, 38 Pin 15u" Gold, Solder Tin Plating	
CHECKED	Zola	2015/09/02		
APPROVED	Ken	2015/09/02		
	SCALE 3.2/1	SHEET 2/2	SIZE A4	PRODUCT NO. 223C-00E0
				FILE NAME 223C-00E0_B_1



WWW.ATTEND.COM.TW	
DRAWN	Fros
CHECKED	Zola
APPROVED	Ken
SCALE	3.2/1
SHEET	2/2
SIZE	A4
PRODUCT NO.	223C-00E0
FILE NAME	223C-00E0_B_1