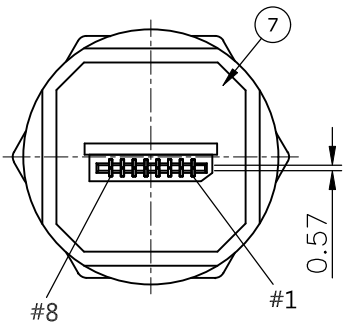
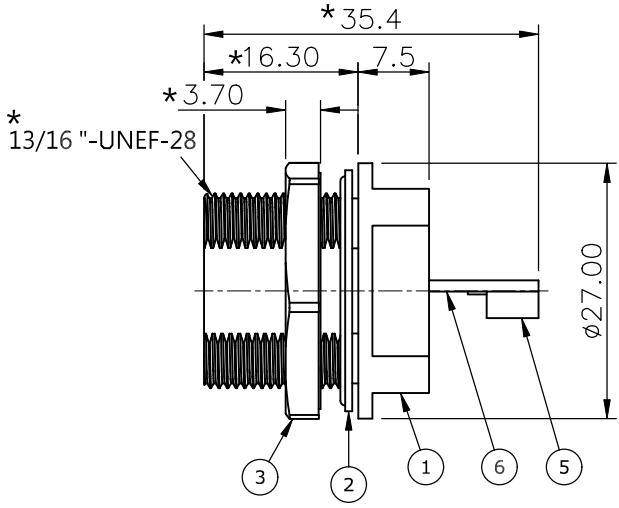
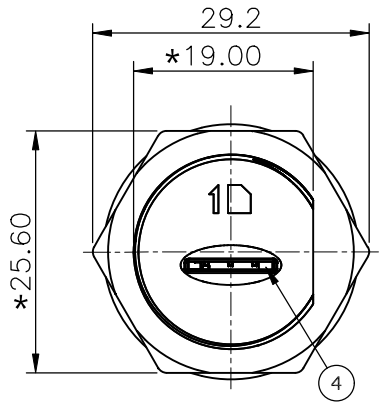


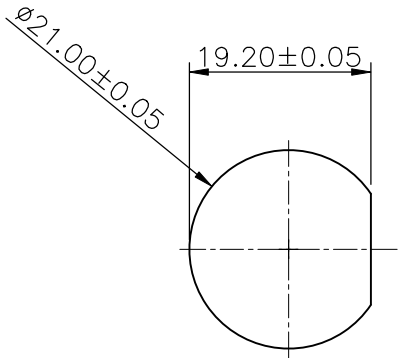
REV.	DESCRIPTION	DRAWN	DATE
1	INITIAL RELEASE	TIM	2020/02/24
2	DESIGN GUIDE	Fros	2025/02/27

SPECIFICATION:

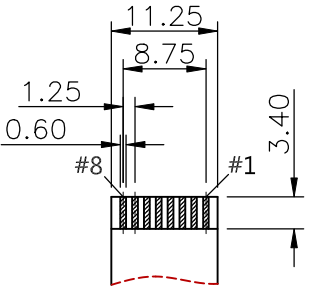
- 1.1 Current Rating: 0.5A per pin
- 1.2 Voltage Rating: 10V AC/DC
- 1.3 Water Proof: IPX7
- 1.4 Operation Temperature: -40°C to +85°C



CARD DETECT SWITCH			
Without Card		Card Inserted	
GND	CD	GND	CD
PIN ASSIGNMENT			
SIM	Name	FPC	
C1,C6	Vcc	8	
C5	GND	7	
C2	RST	6	
C1,C6	Vcc	5	
C3	CLK	4	
C7	DATA	3	
CD	SIM_CD	2	
C5	GND	1	



RECOMMEND PANEL CUT OUT
PANEL Thick: 1.5~6.0mm



FFC/ FPC Dimension
Thickness 0.3mm
General Tolerance: ±0.03mm

7	EPOXY	Black
6	PCB	FR4, T=1.2mm
5	CONN	FPC Connector, 8Pin PH1.25, Dual Contact
4	CONN	NANO SIM Socket
3	NUT	Thermoplastic, Black
2	Gasket	Silicone, Red
1	Housing	Thermoplastic, Black

NO.	PART NAME	DESCRIPTION	
UNLESS OTHERWISE SPECIFIED TOLERANCE			
UNIT:	DECIMAL	LINEAR	ANGLES
mm	X.	±0.50	±5°
	X.X	±0.25	±3°
	X.XX	±0.12	±1°
DRAWN: Tim 2020/02/24			
DRAWN NAME: NANO SIM Type Water Proof Socket Front Fastened			
CHECKED: Fros 2020/02/24			
APPROVED: Ken 2020/02/24			
SCALE: 1/1		SHEET: 1/2	SIZE: A4
FILE NAME: 222A-05004_B_2		PRODUCT NO.: 222A-05004	

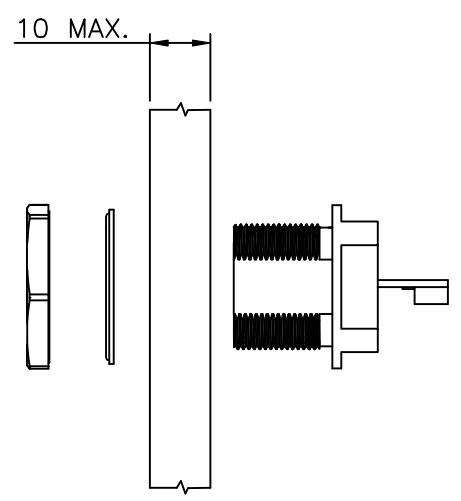


WWW.ATTEND.COM.TW

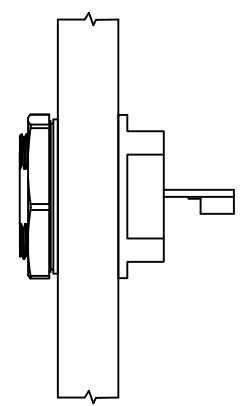
REV.	DESCRIPTION	DRAWN	DATE


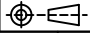
DESIGN GUIDE

ASSEMBLY



FINISH



UNLESS OTHERWISE SPECIFIED TOLERANCE					
UNIT:	DECIMAL	LINEAR	ANGLES		
mm	X.	±0.50	±5°	DRAWN NAME: NANO SIM Type Water Proof Socket Front Fastened	
	X,X	±0.25	±3°		
	X,XX	±0.12	±1°		
DRAWN	Tim	2020/02/24	DRAWN NAME: NANO SIM Type Water Proof Socket Front Fastened		
CHECKED	Fros	2020/02/24	DRAWN NAME: NANO SIM Type Water Proof Socket Front Fastened		
APPROVED	Ken	2020/02/24	PRODUCT NO.	222A-05004	
	SCALE 1/1	SHEET 2/2	SIZE A4	FILE NAME	222A-05004_B_2