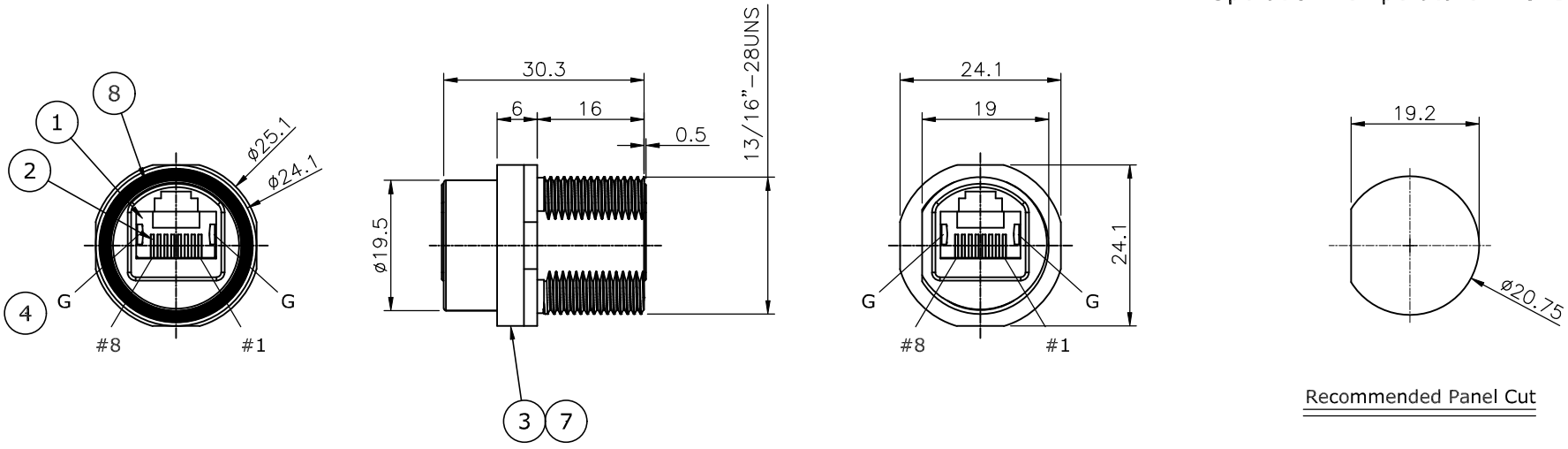


REV.	DESCRIPTION	DRAWN	DATE
1	INITIAL RELEASE	FROS	2020/10/05
2	DESIGN GUIDE	FROS	2025/02/26


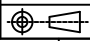
Notes:

1. Water proof IP67
2. Current Rating: 1.5A
3. Voltage Rating: 125V AC
4. Operation Temperature: -40°C to +85°C



Recommended Panel Cut

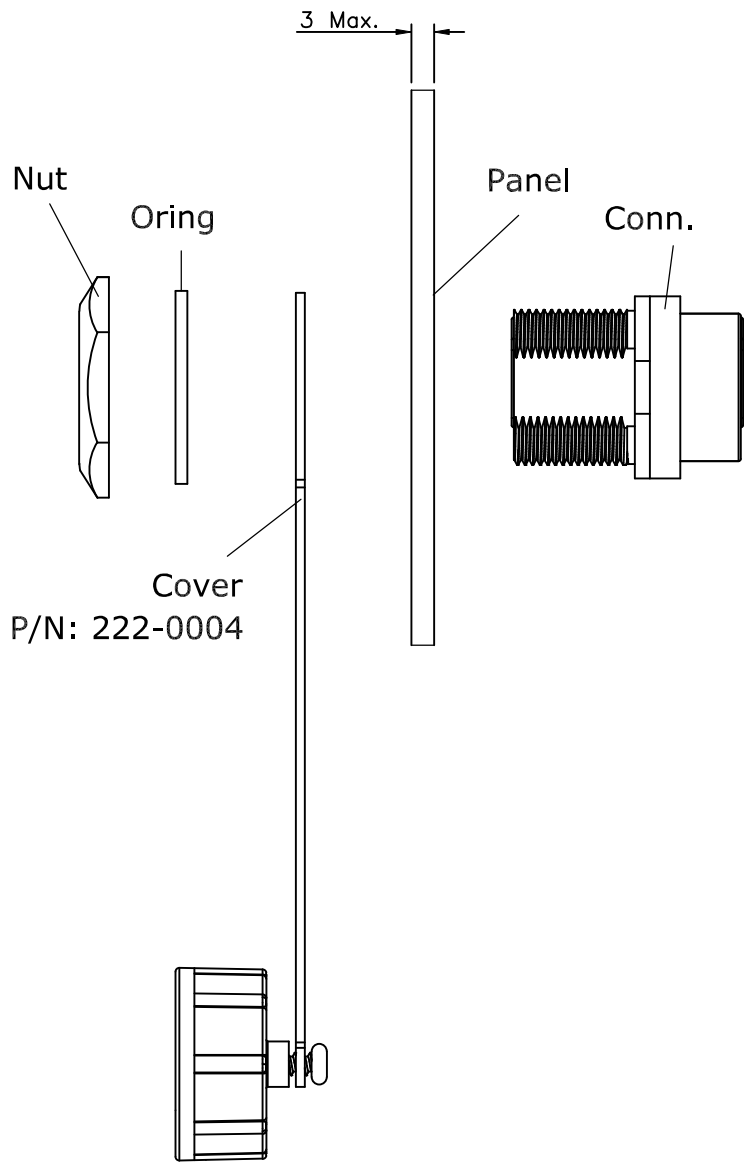
8	Epoxy	
7	PCB	FR4
6	NUT	Brass, nickel plating
5	ORING	Silicon, gray black
4	GROUND	Stainless steel, nickel plating
3	SHELL	Zinc alloy, nickel plating
2	CONTACT	Phosphor Bronze, gold flash over nickel plating
1	HOUSING	PBT, UL94V-0, Black

NO.	PART NAME	DESCRIPTION		
UNLESS OTHERWISE SPECIFIED TOLERANCE				
UNIT:	DECIMAL	LINEAR	ANGLES	
mm	X.	±0.50	±5°	
	X.X	±0.25	±3°	
	X.XX	±0.12	±1°	
 www.attend.com.tw				
DRAWN	Fros	2020/10/05	DRAWN NAME:	
CHECKED	Tim	2020/10/05	RJ45 Jack to Jack Waterproof Adaptor, Screw Type, Panel Fixed, Zinc Alloy L=30mm	
APPROVED	Ken	2020/10/05	PRODUCT NO. 222A-03005	
	SCALE 1/1	SHEET 1/2	SIZE A4	FILE NAME 222A-03005_B_2

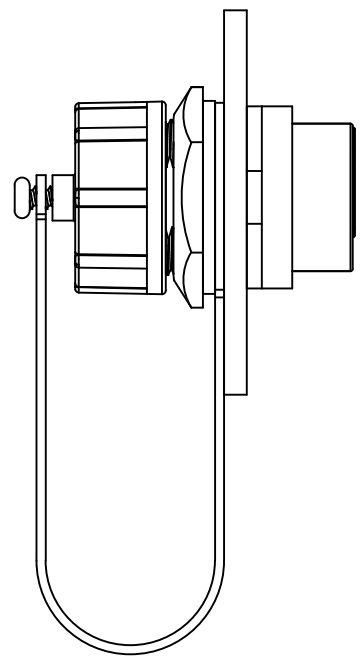
REV.	DESCRIPTION	DRAWN	DATE



DESIGN GUIDE

ASSEMBLY



FINISH



UNLESS OTHERWISE SPECIFIED TOLERANCE					
UNIT:	DECIMAL	LINEAR	ANGLES		
mm	X.	±0.50	±5°	www.attend.com.tw	
	X.X	±0.25	±3°		
	X.XX	±0.12	±1°		
DRAWN	Fros	2020/10/05	DRAWN NAME:		
CHECKED	Tim	2020/10/05	RJ45 Jack to Jack Waterproof Adaptor, Screw Type, Panel Fixed, Zinc Alloy L=30mm		
APPROVED	Ken	2020/10/05	PRODUCT NO.	222A-03005	
	SCALE 1/1	SHEET 2/2	SIZE A4	FILE NAME	222A-03005_B_2