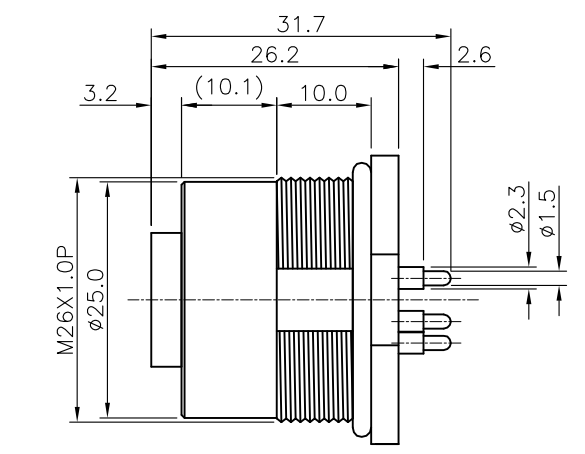
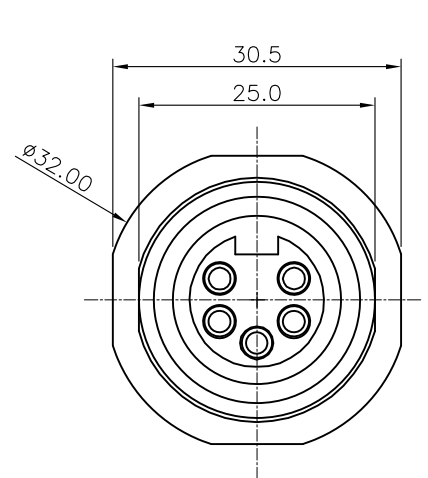
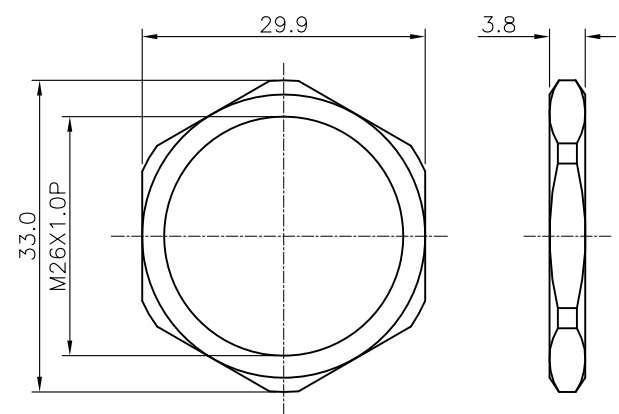


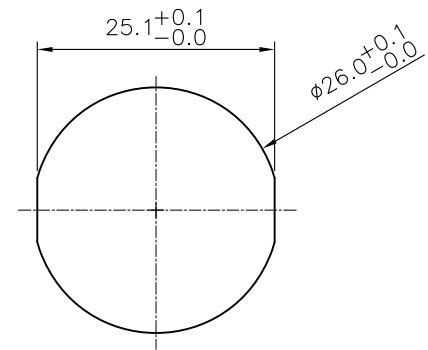
REV.	DESCRIPTION	DRAWN	DATE
1	INITIAL RELEASE	FROS	2015/06/16
2	CORRECTED PRODUCT SPEC. M26 -> M23	FROS	2015/09/17
3	CORRECTED PRODUCT SPEC., CHANGE P/N	TIM	2016/09/26



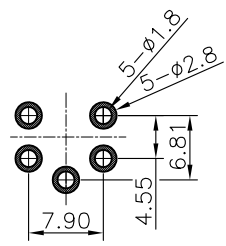
BODY



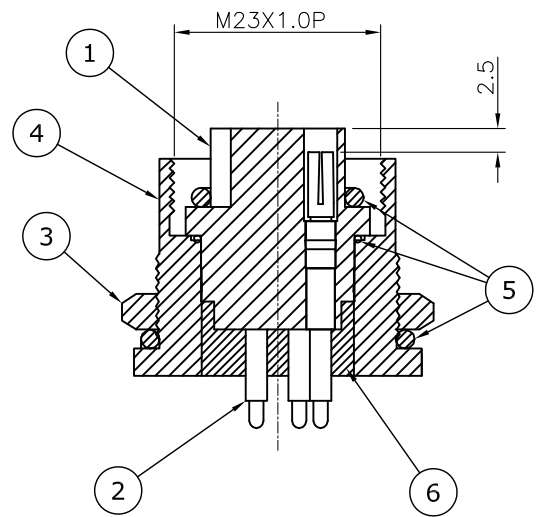
NUT



RECOMMEND PANEL CUT OUT



RECOMMEND PCB LAYOUT



SPECIFICATION:

1. CURRENT RATING: 20A
2. VOLTAGE: 125V
3. WATER PROOF: IPX7
4. OPERATION TEMPERATURE: -20°C TO +85°C

6	EPOXY BASE	EF400A & EF400B, BLACK
5	O-RING	NBR, BLACK
4	SHELL	ALUMINUM, NICKEL PLATED
3	NUT	ALUMINUM, NICKEL PLATED
2	CONTACT	BRASS, 30u" GOLD PLATED UNDER NICKEL
1	HOUSING	PBT, UL94V-0, YELLOW
NO	PART NAME	DESCRIPTION

UNLESS OTHERWISE SPECIFIED TOLERANCE

UNIT:	DECIMAL	LINEAR	ANGLES
mm	X.	±0.50	±5°
	X.X	±0.25	±3°
	X.XX	±0.12	±1°

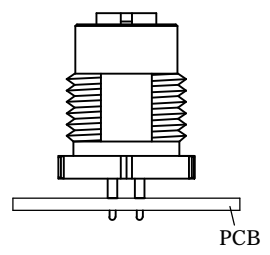


WWW.ATTEND.COM.TW

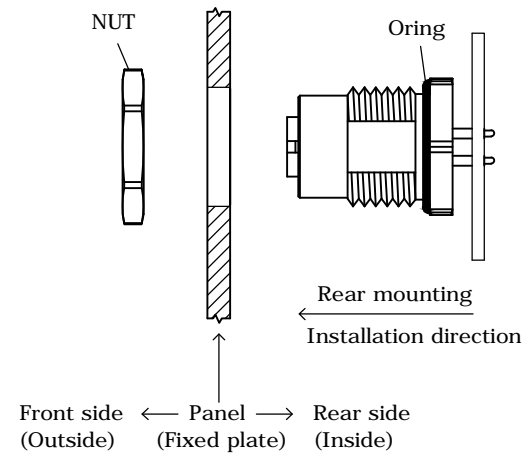
DRAWN	Fros	2015/06/16	DRAWN NAME:	△3/2	
CHECKED	Zola	2015/06/16	M23 A-Code Receptacle, 5Pin		
APPROVED	Ken	2015/06/16	Female Straight PCB Type, Front Fastened		
SCALE	1.25/1	SHEET	1/1	SIZE	A4
FILE NAME	221A-05FSF_B_3				

REV.	DESCRIPTION	DRAWN	DATE
------	-------------	-------	------

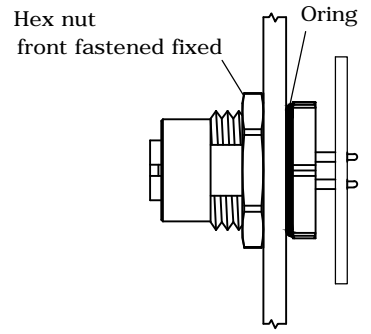
1. Soldering Board


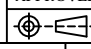


2. Installation Direction



3. Connector Mated to Panel Mount



UNLESS OTHERWISE SPECIFIED TOLERANCE				 WWW.ATTEND.COM.TW	
UNIT:	DECIMAL	LINEAR	ANGLES		
mm	X.	±0.50	±5°		
	X.X	±0.25	±3°		
	X.XX	±0.12	±1°		
DRAWN	Tim	2025/02/25	DRAWN NAME:		
CHECKED	Fros	2025/02/25	M Series For Female DIP Type Front Fastened Design Guide		
APPROVED	Ken	2025/02/25	PRODUCT NO.		
	SCALE	SHEET 1/1	SIZE A4	FILE NAME	M Series FSF_DG