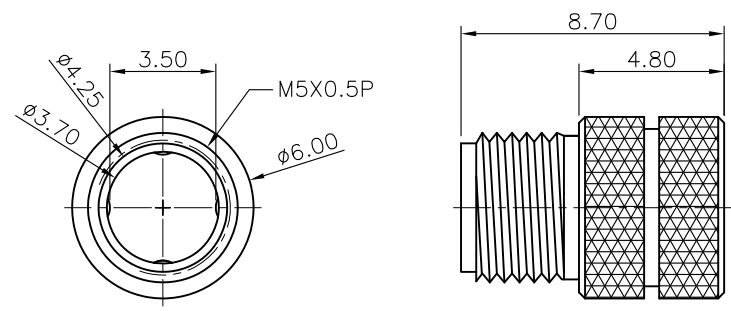
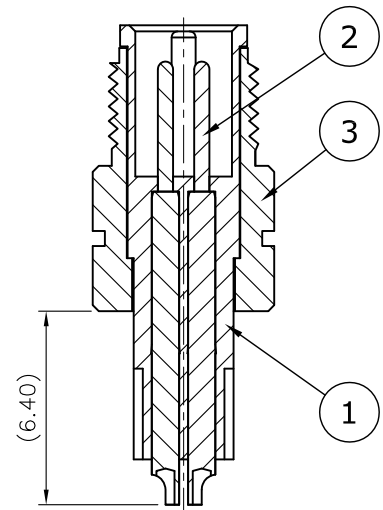
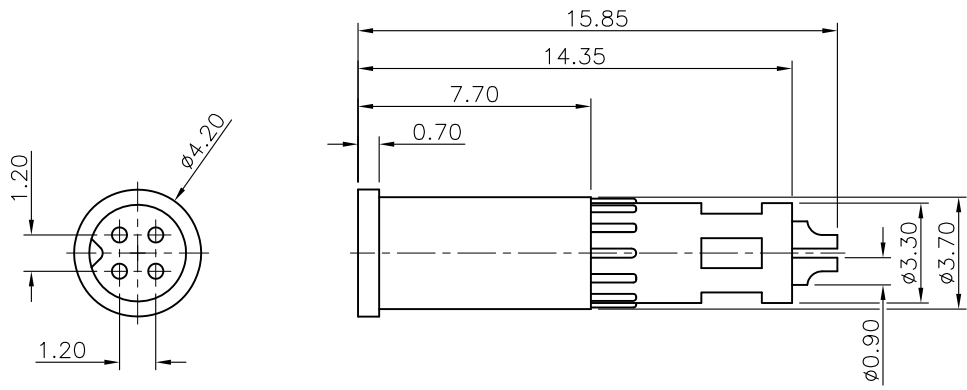


REV.	DESCRIPTION	DRAWN	DATE
1	INITIAL RELEASE	TIM	2016/08/17


SPECIFICATION:

1. CURRENT RATING: 1A
2. VOLTAGE: 60V
3. WATER PROOF: IP67
4. OPERATION TEMPERATURE: -40°C TO +85°C



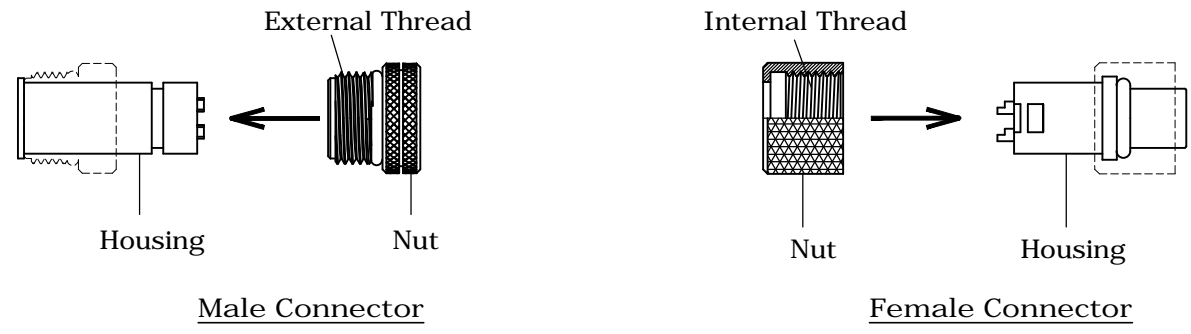
NUT

3	NUT	BRASS, NICKEL PLATED
2	CONTACT	BRASS, GOLD FLASH OVER NICKEL PLATING
1	HOUSING	TPU, BLACK
NO	PART NAME	DESCRIPTION

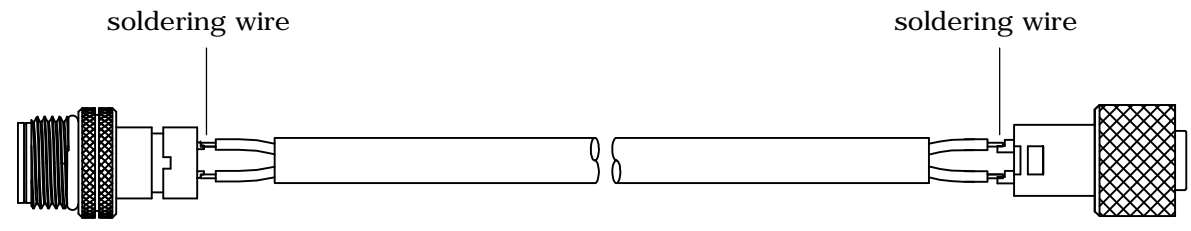
UNLESS OTHERWISE SPECIFIED TOLERANCE					
UNIT:	DECIMAL	LINEAR	ANGLES		
mm	X.	±0.50	±5°	WWW.ATTEND.COM.TW	
	X.X	±0.25	±3°		
	X.XX	±0.12	±1°		
DRAWN	Tim	2016/08/17	DRAWN NAME: M5 A-Code Plug for Cable 4Pin Male For Overmold with Cable		
CHECKED	Fros	2016/08/17	PRODUCT NO. 220A-04MO0		
APPROVED	Ken	2016/08/17	FILE NAME 220A-04MO0_B_1		
⊕	SCALE 4/1	SHEET 1/1	SIZE A4		

REV.	DESCRIPTION	DRAWN	DATE

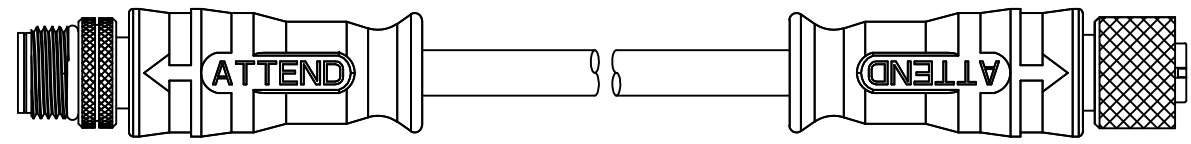
1. Setting Connector


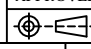


2. Wire Processing



3. Overmolded Cable Assemblies



UNLESS OTHERWISE SPECIFIED TOLERANCE						
UNIT:	DECIMAL	LINEAR	ANGLES			
mm	X.	±0.50	±5°		DRAWN NAME: M Series For Male Cable Overmold Type Design Guide	
	X.X	±0.25	±3°			
	X.XX	±0.12	±1°			
DRAWN	Tim	2025/02/25		PRODUCT NO.		
CHECKED	Fros	2025/02/25		FILE NAME		
APPROVED	Ken	2025/02/25		M Series MO0_DG		
		SCALE	SHEET	SIZE		
		1/1	A4			