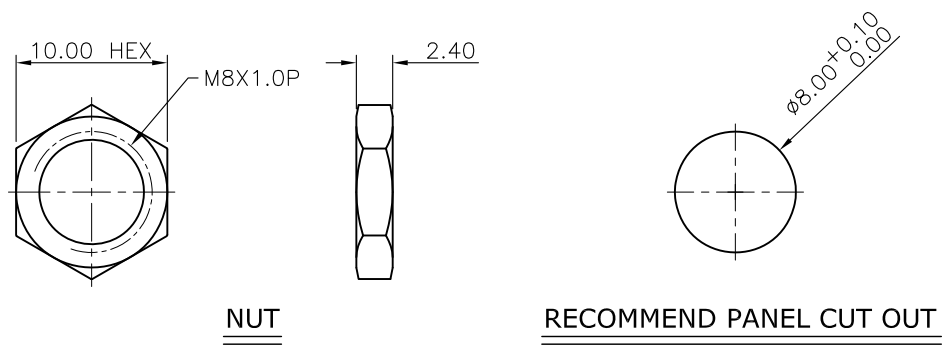
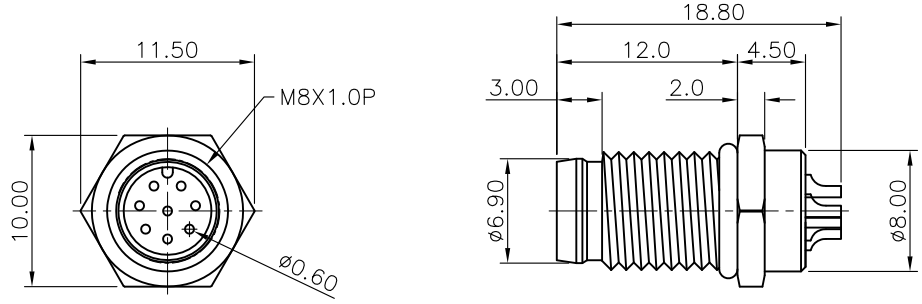


REV.	DESCRIPTION	DRAWN	DATE
1	INITIAL RELEASE	TIM	2016/08/22
2	ECR220421002	Fros	2022/04/21

**SPECIFICATION:**

1. CURRENT RATING: 1.5A
2. VOLTAGE: 30VAC/DC
3. WATER PROOF: IPX7
4. OPERATION TEMPERATURE: -40°C TO +85°C



6	EPOXY BASE	
5	O-RING	NBR, Black
4	NUT	Brass, NICKEL PLATED
3	SHELL	Brass, NICKEL PLATED
2	CONTACT	Brass, 10u" GOLD PLATED UNDER NICKEL
1	HOUSING	PA66, Black

NO.	PART NAME	DESCRIPTION	
UNLESS OTHERWISE SPECIFIED TOLERANCE			
UNIT:	DECIMAL	LINEAR	ANGLES
mm	X.	±0.50	±5°
	X.X	±0.25	±3°
	X.XX	±0.12	±1°
DRAWN Tim 2016/08/22 DRAWN NAME: M8 A-Code Receptacle, 8Pin Male Solder Type Front Fastened			
CHECKED Ron 2016/08/22			
APPROVED Ken 2016/08/22 PRODUCT NO. 219A-08MAF			
SCALE 2/1	SHEET 1/1	SIZE A4	FILE NAME 219A-08MAF_B_2



WWW.ATTEND.COM.TW