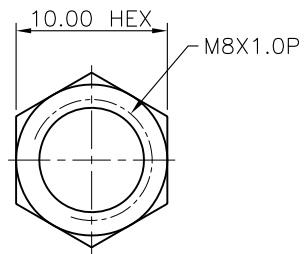
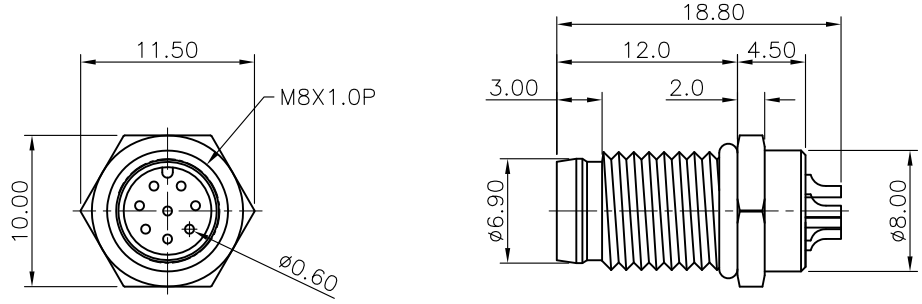


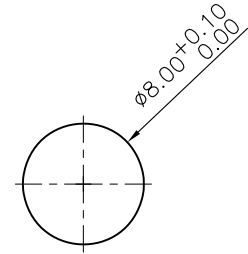
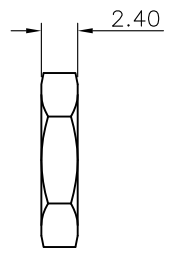
REV.	DESCRIPTION	DRAWN	DATE
1	INITIAL RELEASE	TIM	2016/08/22
2	ECR220421002	Fros	2022/04/21

**SPECIFICATION:**

1. CURRENT RATING: 1.5A
2. VOLTAGE: 30VAC/DC
3. WATER PROOF: IPX7
4. OPERATION TEMPERATURE: -40°C TO +85°C



NUT



RECOMMEND PANEL CUT OUT

6	EPOXY BASE	
5	O-RING	NBR, Black
4	NUT	Brass, NICKEL PLATED
3	SHELL	Brass, NICKEL PLATED
2	CONTACT	Brass, 10u" GOLD PLATED UNDER NICKEL
1	HOUSING	PA66, Black

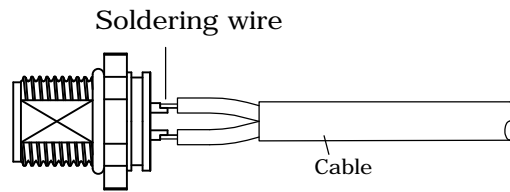
NO.	PART NAME	DESCRIPTION	
UNLESS OTHERWISE SPECIFIED TOLERANCE			
UNIT:	DECIMAL	LINEAR	ANGLES
mm	X.	±0.50	±5°
	X.X	±0.25	±3°
	X.XX	±0.12	±1°
WWW.ATTEND.COM.TW			
DRAWN	Tim	2016/08/22	
CHECKED	Ron	2016/08/22	
APPROVED	Ken	2016/08/22	
DRAWN NAME:		8Pin Male Solder Type Front Fastened	
PRODUCT NO.		219A-08MAF	
SCALE	SHEET	SIZE	
2/1	1/1	A4	
FILE NAME		219A-08MAF_B_2	



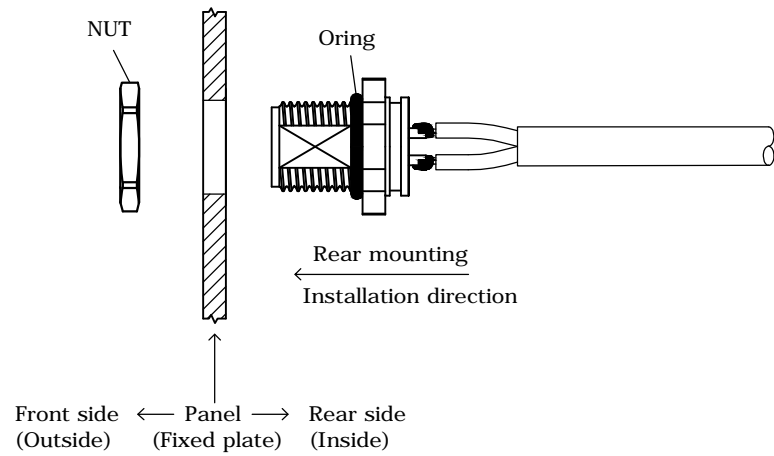
DRAWN NAME:  
M8 A-Code Receptacle,  
8Pin Male Solder Type Front Fastened

REV.	DESCRIPTION	DRAWN	DATE

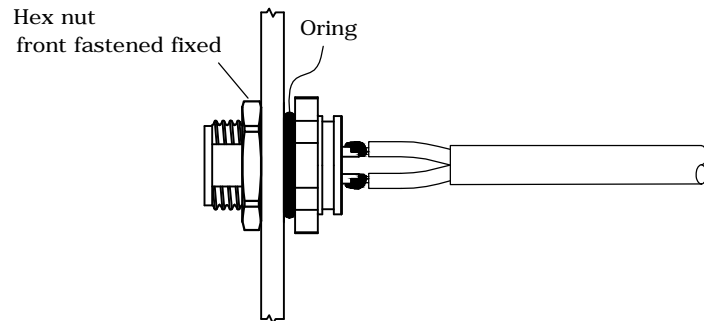
### 1. Wire Processing


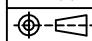


### 2. Installation Direction



### 3. Connector Mated to Panel Mount



UNLESS OTHERWISE SPECIFIED TOLERANCE				 <a href="http://WWW.ATTEND.COM.TW">WWW.ATTEND.COM.TW</a>
UNIT:	DECIMAL	LINEAR	ANGLES	
mm	X.	±0.50	±5°	
	X.X	±0.25	±3°	
	X.XX	±0.12	±1°	
DRAWN	Tim	2025/02/25	DRAWN NAME:	
CHECKED	Fros	2025/02/25	M Series For Male Solder Type Front Fastened Design Guide	
APPROVED	Ken	2025/02/25	PRODUCT NO.	
	SCALE	SHEET 1/1	SIZE A4	
	FILE NAME	M Series MAF_DG		