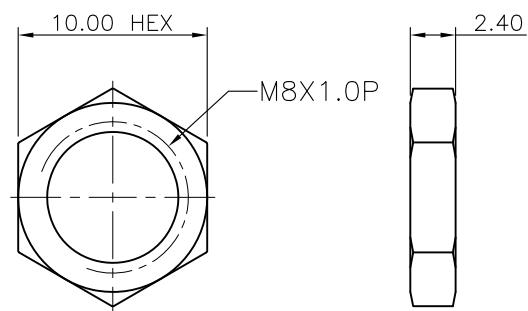
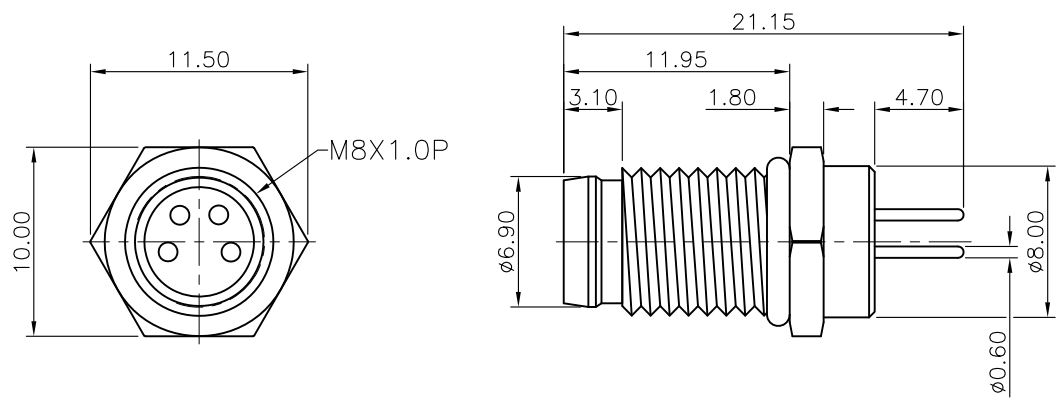
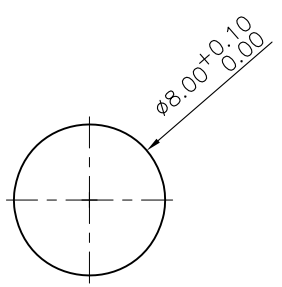


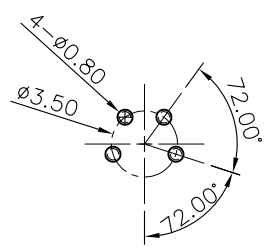
REV.	DESCRIPTION	DRAWN	DATE
1	INITIAL RELEASE	TIM	2016/08/23
2	ECR220421002	Fros	2022/04/21



NUT



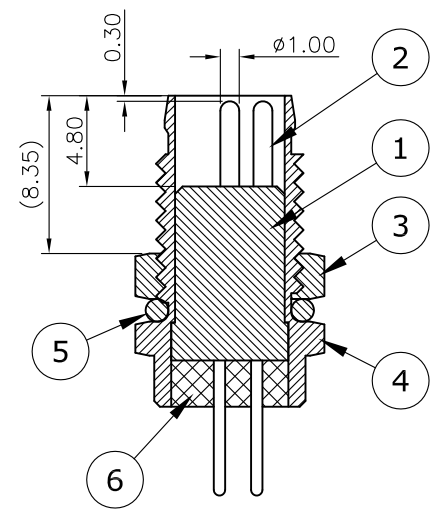
RECOMMEND PANEL CUT OUT




RECOMMEND PCB LAYOUT

SPECIFICATION:

1. CURRENT RATING: 3A
2. VOLTAGE: 50VAC/60VDC
3. WATER PROOF: IPX7
4. OPERATION TEMPERATURE: -40°C TO +85°C



6	EPOXY BASE	
5	O-RING	NBR, BLACK
4	SHELL	BRASS, NICKEL PLATED
3	NUT	BRASS, NICKEL PLATED
2	CONTACT	BRASS, GOLD PLATED UNDER NICKEL
1	HOUSING	PBT, BLACK
NO	PART NAME	DESCRIPTION

UNLESS OTHERWISE SPECIFIED TOLERANCE					
UNIT:	DECIMAL	LINEAR	ANGLES		
mm	X.	±0.50	±5°	WWW.ATTEND.COM.TW	
	X.X	±0.25	±3°		
	X.XX	±0.12	±1°		
DRAWN	Tim	2016/08/23	DRAWN NAME:		
CHECKED	Fros	2016/08/23	M8 A-Code Receptacle, 4Pin		
APPROVED	Ken	2016/08/23	Male Straight PCB Type, Front Fastened		
SCALE	SHEET	SIZE	FILE NAME	PRODUCT NO.	
2.5/1	1/1	A4	219A-04MSF_B_2	219A-04MSF	