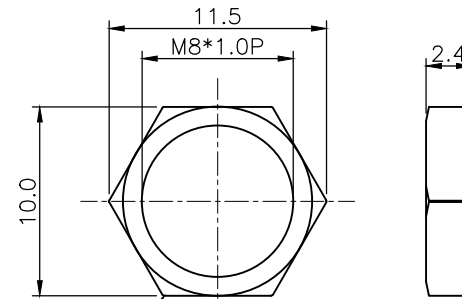
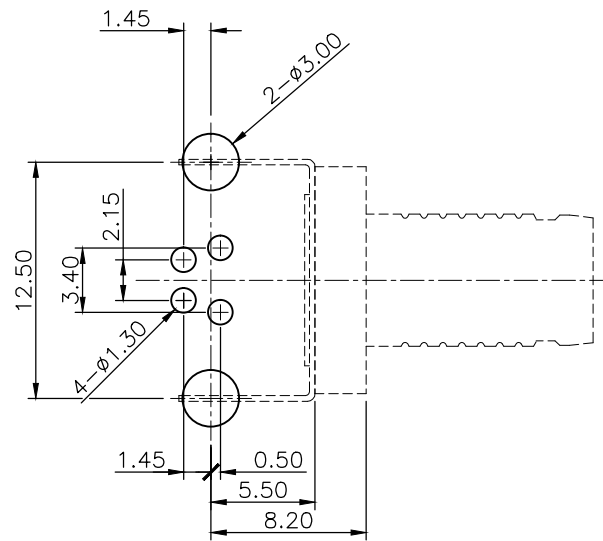
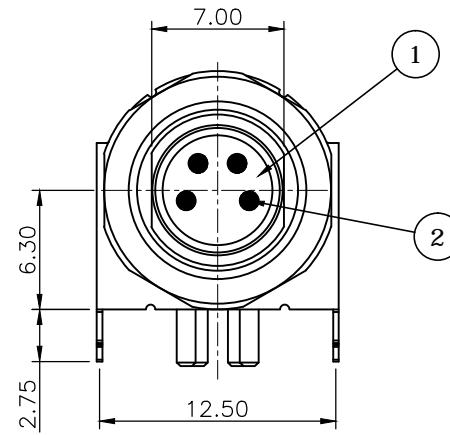
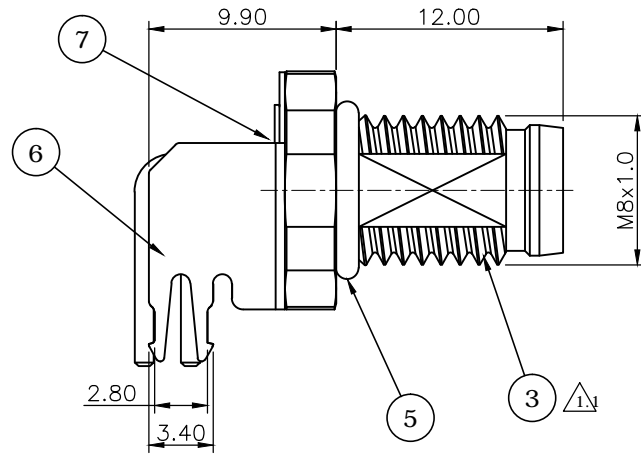


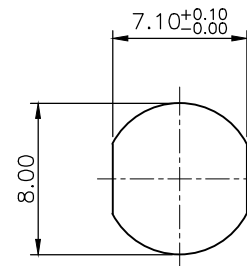
REV.	DESCRIPTION	DRAWN	DATE
1	INITIAL RELEASE	FROS	2018/05/15
1.1	Revised	TIM	2023/10/13

**SPECIFICATION:**

1. CURRENT RATING: 3A
2. VOLTAGE: 50VAC/60VDC
3. WATER PROOF: IPX7
4. OPERATION TEMPERATURE: -40°C TO +85°C



**4** HEX-NUT



PANEL CUT-OUT

**RECOMMENDED LAYOUT (TOP VIEW)**  
**GENERAL TOLERANCE: ±0.1mm**

7	EPOXY BASE		
6	GROUND	PHOSPHOR BRONZE, TIN PLATED	
5	O-RING	NBR ,BLACK	
4	NUT	BRASS, NICKEL PLATED	
3	SHELL	BRASS, NICKEL PLATED	
2	CONTACT	BRASS, 10u" GOLD PLATED UNDER NICKEL	
1	HOUSING	PA, UL94V-0, BLACK	
<b>NO. PART NAME</b>		<b>DESCRIPTION</b>	
UNLESS OTHERWISE SPECIFIED TOLERANCE			
UNIT:	DECIMAL	LINEAR	ANGLES
	mm	X. ±0.50	X.X ±5°
		X.XX ±0.25	X.XX ±3°
		X.XXX ±0.12	X.XXX ±1°
DRAWN Fros 2018/05/15			DRAWN NAME: M8 A-Code Receptacle, 4Pin Male DIP R/A Front Fastened
CHECKED Tim 2018/05/15			
APPROVED Ken 2018/05/15			PRODUCT NO. 219A-04MRF
SCALE 2.5 SHEET 1/1 SIZE A4			FILE NAME 219A-04MRF_B_1.1



www.attend.com.tw