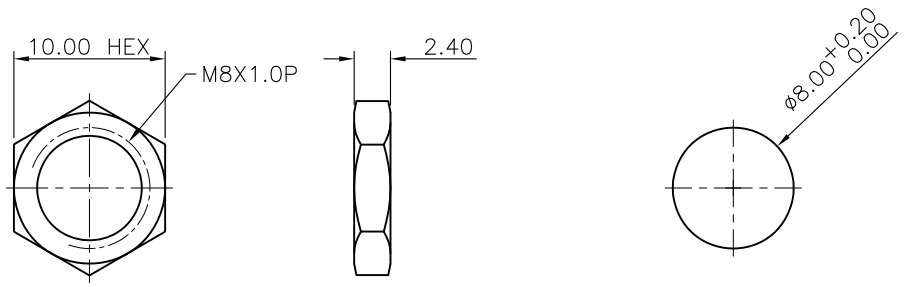
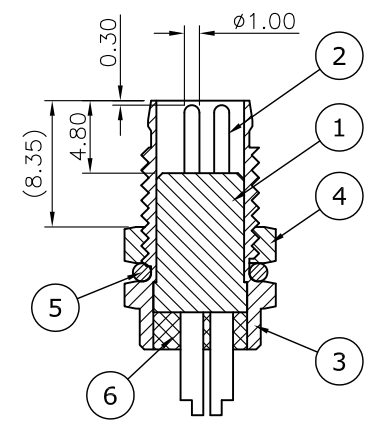
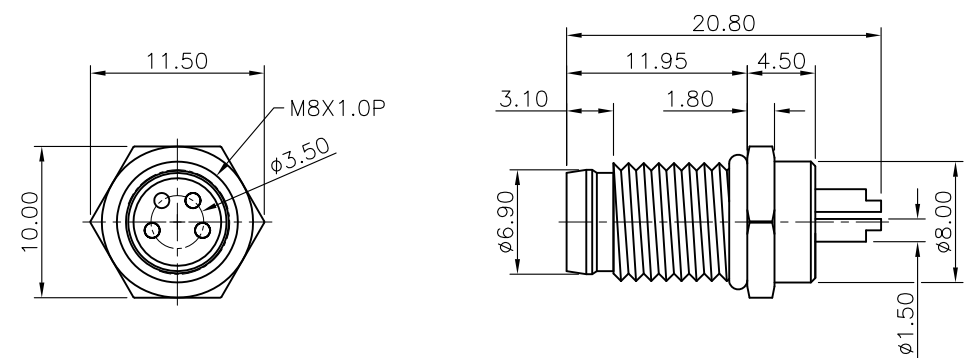


REV.	DESCRIPTION	DRAWN	DATE
1	INITIAL RELEASE	TIM	2016/08/22
2	ECR220421002	Fros	2022/04/21

SPECIFICATION:

1. CURRENT RATING: 3A
2. VOLTAGE: 50VAC/60VDC
3. WATER PROOF: IPX7
4. OPERATION TEMPERATURE: -40°C TO +85°C



NUT

RECOMMEND PANEL CUT OUT

6	EPOXY BASE	
5	O-RING	NBR, Black
4	NUT	Brass, NICKEL PLATED
3	SHELL	Brass, NICKEL PLATED
2	CONTACT	Brass, 10u" GOLD PLATED UNDER NICKEL
1	HOUSING	PBT, Black

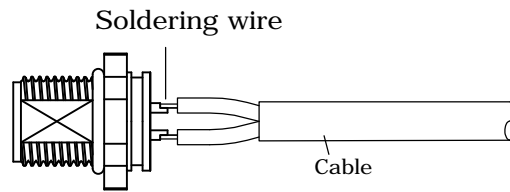
NO.		PART NAME	DESCRIPTION
UNLESS OTHERWISE SPECIFIED TOLERANCE			
UNIT:	DECIMAL	LINEAR	ANGLES
	mm	X, ±0.50	±5°
		X.X, ±0.25	±3°
	X.XX	±0.12	±1°
DRAWN		Tim	2016/08/22
CHECKED		Ron	2016/08/22
APPROVED		Ken	2016/08/22
DRAWN NAME:		M8 A-Code Receptacle, 4Pin Male Solder Type Front Fastened	
PRODUCT NO.		219A-04MAF	
SCALE	SHEET	SIZE	FILE NAME
2/1	1/1	A4	219A-04MAF_B_2



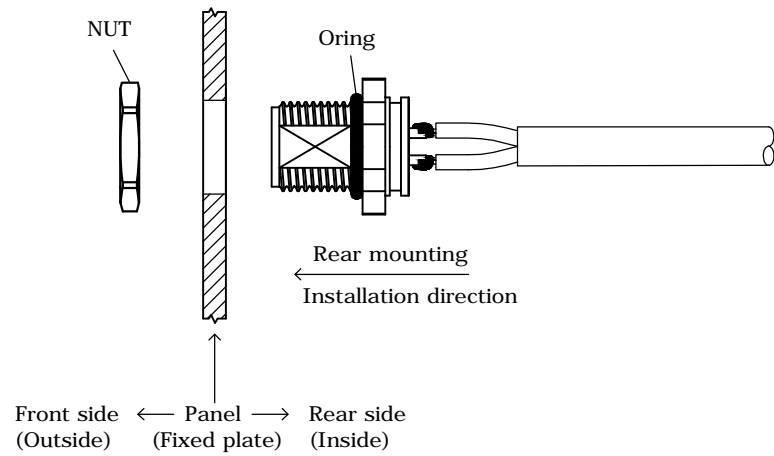
WWW.ATTEND.COM.TW

REV.	DESCRIPTION	DRAWN	DATE

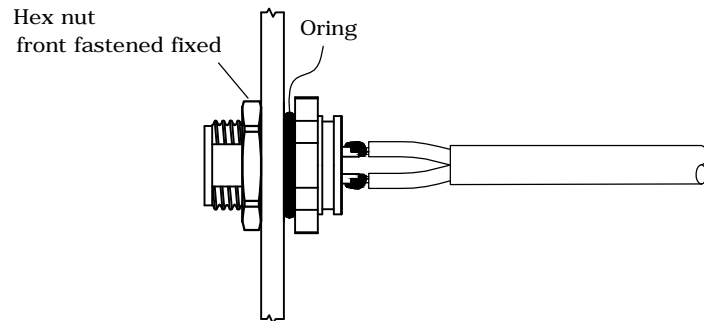
1. Wire Processing


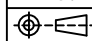


2. Installation Direction



3. Connector Mated to Panel Mount



UNLESS OTHERWISE SPECIFIED TOLERANCE				 WWW.ATTEND.COM.TW
UNIT:	DECIMAL	LINEAR	ANGLES	
mm	X.	±0.50	±5°	
	X.X	±0.25	±3°	
	X.XX	±0.12	±1°	
DRAWN	Tim	2025/02/25	DRAWN NAME:	
CHECKED	Fros	2025/02/25	M Series For Male Solder Type Front Fastened Design Guide	
APPROVED	Ken	2025/02/25	PRODUCT NO.	
	SCALE	SHEET 1/1	SIZE A4	FILE NAME M Series MAF_DG