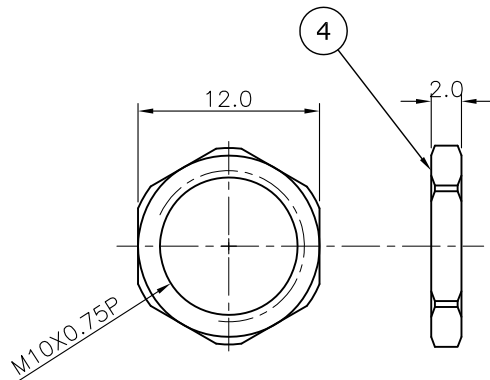
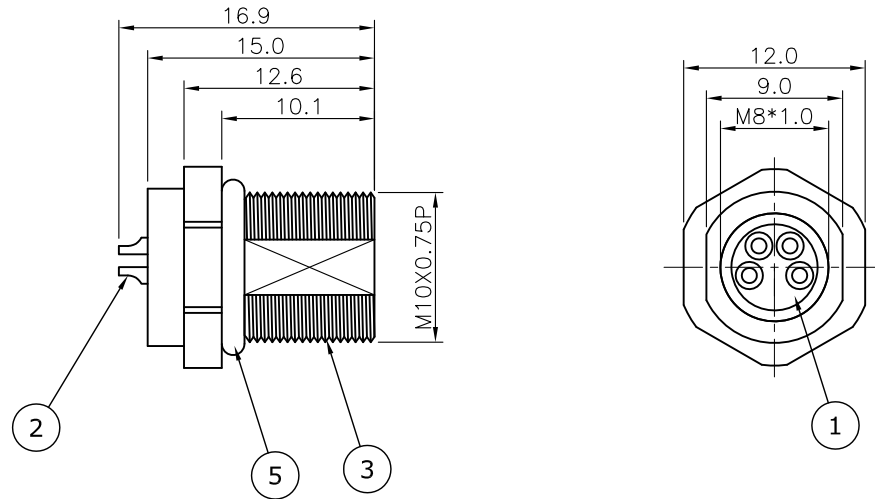


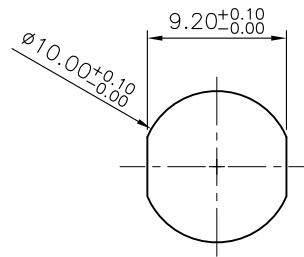
REV.	DESCRIPTION	DRAWN	DATE
1	INITIAL RELEASE	Fros	2022/08/08

SPECIFICATION:

- 1. ELECTRICAL
 - 1.1 Current Rating: 3A
 - 1.2 Voltage Rating: 50VAC/60VDC
 - 1.3 Water Proof: IPX7
 - 1.4 Operating Temperature: -40°C~+85°C



NUT



RECOMMEND PANEL CUT OUT

6	EPOXY BASE	
5	O-RING	EPDM, black
4	NUT	Brass, nickel plating
3	SHELL	Brass, nickel plating
2	CONTACT	Brass, gold flash plating under nickel
1	HOUSING	PA66, black

NO.		PART NAME	DESCRIPTION
UNLESS OTHERWISE SPECIFIED TOLERANCE			
UNIT:	DECIMAL	LINEAR	ANGLES
	X.	±0.50	±5°
	X.X	±0.25	±3°
mm	X.XX	±0.12	±1°
DRAWN			Fros 2022/08/08
CHECKED			Tim 2022/08/08
APPROVED			Ken 2022/08/08
DRAWN NAME:		DRAWN NAME:	
M8 A- Code Receptacle, 4Pin Female Solder		M8 A- Code Receptacle, 4Pin Female Solder	
Type, Front Fastened, Dual cut, G/F		Type, Front Fastened, Dual cut, G/F	
PRODUCT NO.		219A-04FAF	
SCALE	SHEET	SIZE	FILE NAME
2/1	1/1	A4	219A-04FAF_B_1



WWW.ATTEND.COM.TW