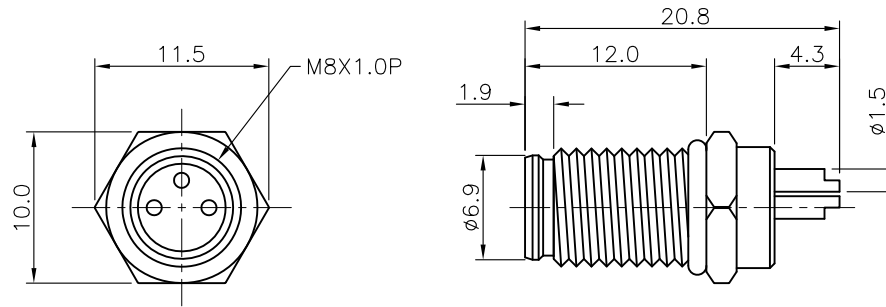


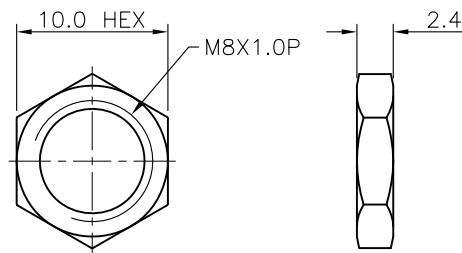
REV.	DESCRIPTION	DRAWN	DATE
1	INITIAL RELEASE	TIM	2021/12/20
2	ECR220421002	Fros	2022/04/21

**SPECIFICATION:**

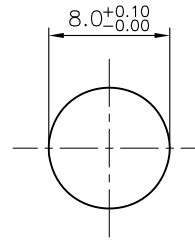
1. CURRENT RATING: 3A
2. VOLTAGE: 50VAC/60VDC
3. WATER PROOF: IPX7
4. OPERATION TEMPERATURE: -40°C TO +85°C



BODY


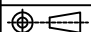


NUT



PANEL CUT-OUT

6	Epoxy	
5	ORING	NBR
4	NUT	Brass, Nickel plating
3	SHELL	Brass, Nickel plating
2	CONTACT	Brass, 10u" Gold plating under Nickel
1	HOUSING	PBT, UL94V-0, Black
NO.	PART NAME	DESCRIPTION

UNLESS OTHERWISE SPECIFIED TOLERANCE					
UNIT:	DECIMAL	LINEAR	ANGLES		
mm	X.	±0.50	±5°	WWW.ATTEND.COM.TW	
	X.X	±0.25	±3°		
	X.XX	±0.12	±1°		
DRAWN	Tim	2021/12/20	DRAWN NAME:		
CHECKED	Fros	2021/12/20	M8 A-Code Receptacle, 3 Pin		
APPROVED	Ken	2021/12/20	Male Solder Type Front Fastened		
	SCALE 2/1	SHEET 1/1	SIZE A4	FILE NAME	219A-03MAF_B_2