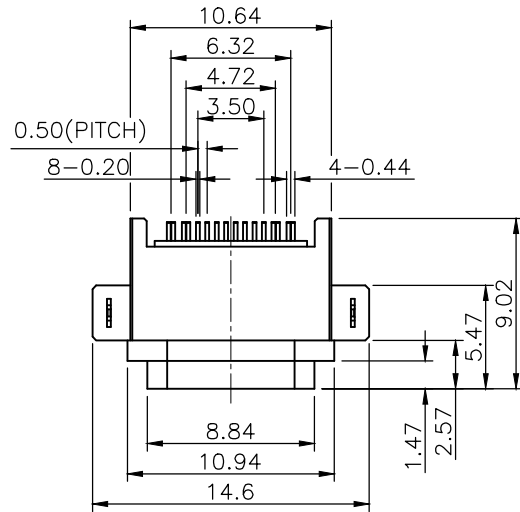


REV.	DESCRIPTION	DRAWN	DATE
1	INITIAL RELEASE	FROS	2023/11/17

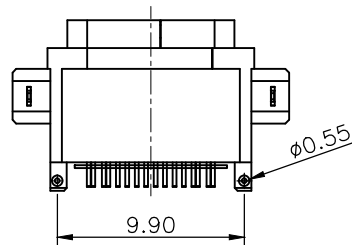
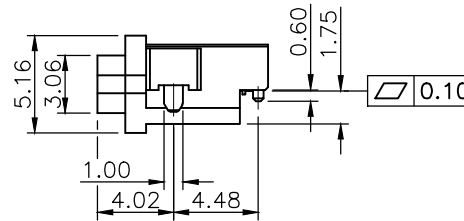
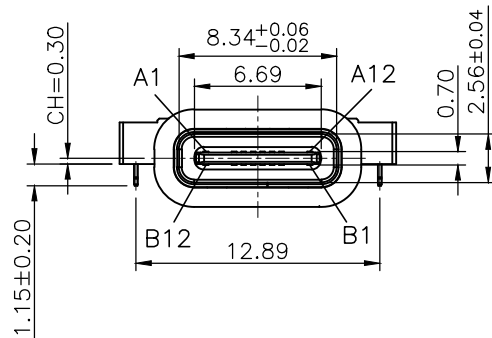


PIN ASSIGNMENTS:

PIN	SIGNAL NAME	PIN	SIGNAL NAME	SOLDER TAILS
A1	GND	B12	GND	C1
A4	VBUS	B9	VBUS	C2
		B8	SBU2	C3
A5	CC1			C4
		B7	Dn2	C5
A6	Dp1			C6
A7	Dn1			C7
		B6	Dp2	C8
A8	SBU1			C9
		B5	CC2	C10
A9	VBUS	B4	VBUS	C11
A12	GND	B1	GND	C12

SPECIFICATION:

- ELECTRICAL**
 - Current Rating: 5A for Vbus; 1.25A for Vconn & GND; 0.25A for other pin
 - Voltage Rating: 20 VAC max
 - Contact Resistance: 40mΩ
 - Insulation Resistance: 100MΩ
 - Dielectric Withstanding Voltage: 100VAC
- MECHANICAL**
 - Durability: 10,000 cycles
 - Insertion Force: 5 to 20N
 - Extraction Force: 8 to 20N
- ENVIRONMENTAL**
 - Operating temperature range: -40°C~+85°C
 - Storage temperature range: -40°C~+85°C



* This part is a connector only

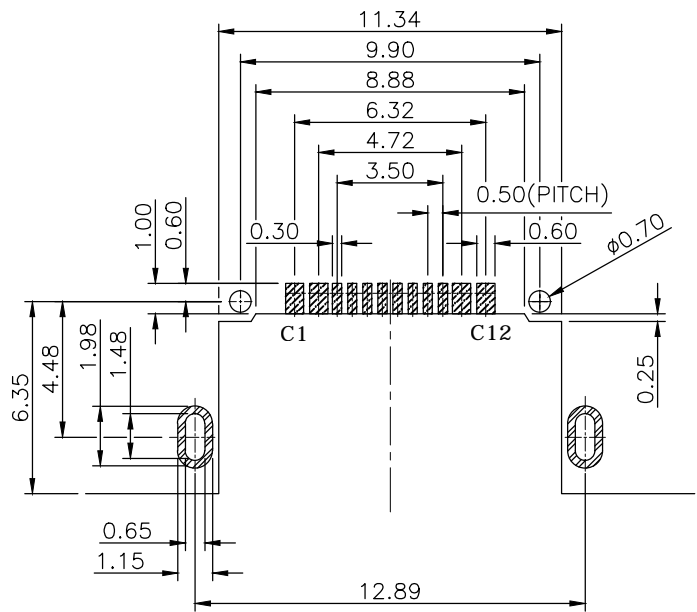
* ORING	P/N: 217-0008
---------	---------------

6	GLUE	EPOXY
5	OVERMOLD	PA9T, UL94V-0, Black
4	SHELL	Stainless Steel, 0.25t Nickel plating
3	MID PLATE	Stainless Steel, 0.15t
2	CONTACT	Copper Alloy, 3u" Gold plating on contact area Gold plating on solder tail, under plated Nickel
1	HOUSING	LCP, UL94V-0, Black

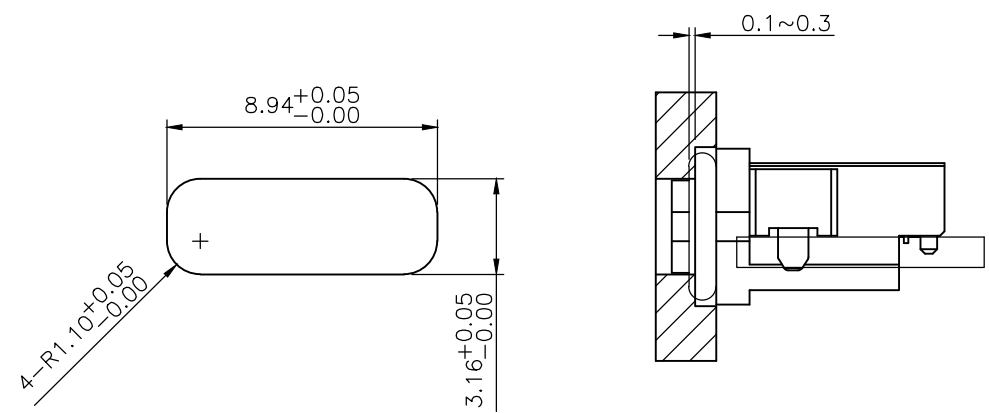
NO.	PART NAME	DESCRIPTION					
UNLESS OTHERWISE SPECIFIED TOLERANCE							
UNIT:	DECIMAL	LINEAR	ANGLES				
mm	X.	±0.50	±5°				
	X.X	±0.25	±3°				
	X.XX	±0.12	±1°				
www.attend.com.tw							
DRAWN	Fros	2023/11/17	DRAWN NAME:				
CHECKED	Tim	2023/11/17	USB Type C Mid-Mount Receptacle				
APPROVED	Ken	2023/11/17	16 Pin Single Row, Water Proof IPX8, 3u", Reel				
SCALE	1/1	SHEET	1/2	SIZE	A4	PRODUCT NO.	217C-CB09
FILE NAME		217C-CB09_B_1					




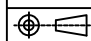
REV.	DESCRIPTION	DRAWN	DATE
------	-------------	-------	------



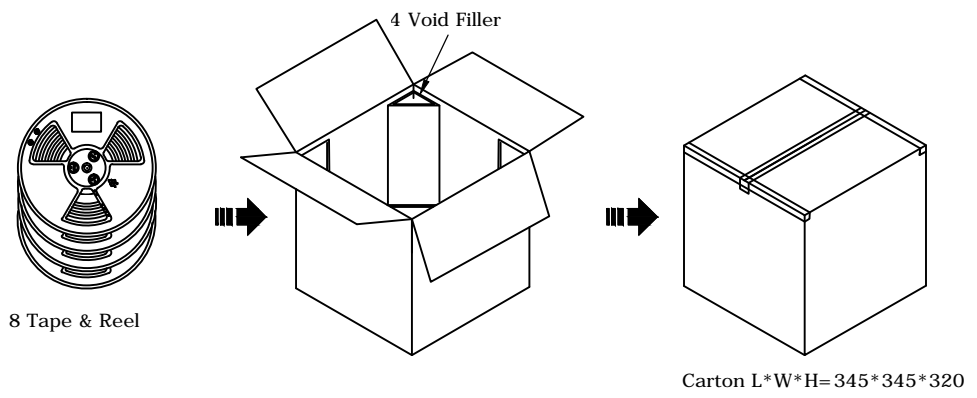
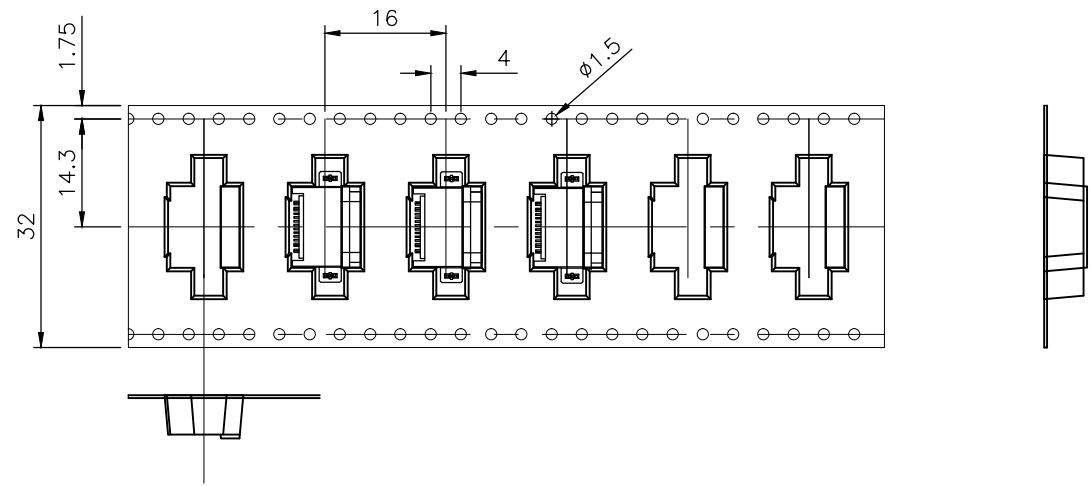
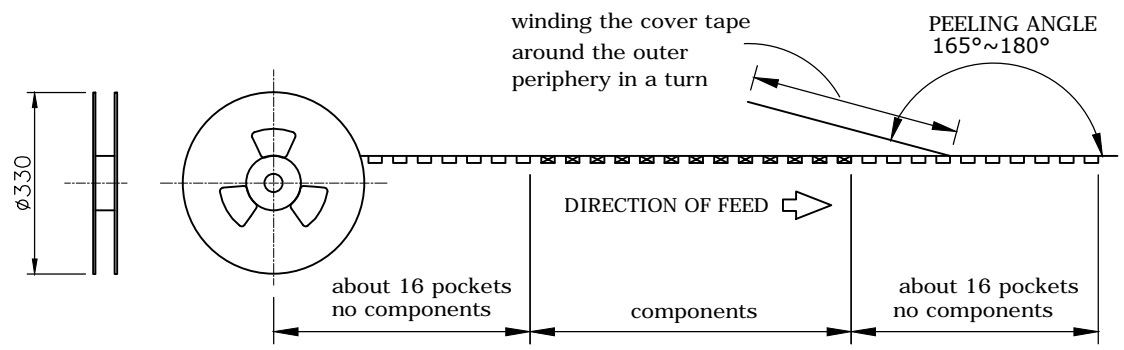
RECOMMENDED LAYOUT (TOP VIEW)
 GENERAL TOLERANCE: $\pm 0.05\text{mm}$
 PCB T=1.0mm



RECOMMENDED PANEL CUT


UNLESS OTHERWISE SPECIFIED TOLERANCE				 www.attend.com.tw	
UNIT:	DECIMAL	LINEAR	ANGLES		
mm	X.	± 0.50	$\pm 5^\circ$		
	X.X	± 0.25	$\pm 3^\circ$		
	X.XX	± 0.12	$\pm 1^\circ$		
DRAWN	Fros	2023/11/17	DRAWN NAME:		
CHECKED	Tim	2023/11/17	USB Type C Mid-Mount Receptacle		
APPROVED	Ken	2023/11/17	16 Pin Single Row, Water Proof IPX8, 3u", Reel		
	SCALE	SHEET	SIZE	PRODUCT NO.	217C-CB09
	1/1	2/2	A4	FILE NAME	217C-CB09_B_1

REV.	DESCRIPTION	DRAWN	DATE
1	INITIAL RELEASE	FROS	2023/11/17

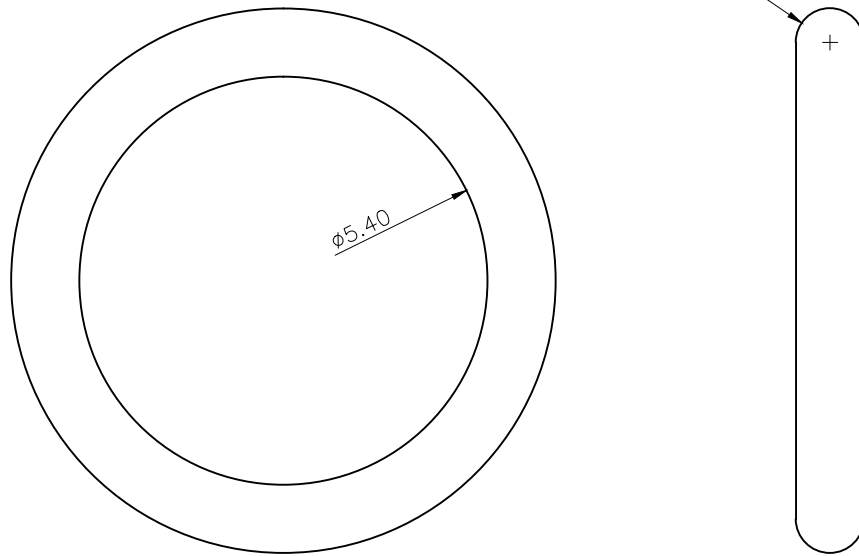


PACKAGING SPECIFICATION:


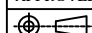
1. MATERIAL
 - 1.1 Embossed Carrier Tape: PS Transparent
 - 1.2 Top Cover Tape: PET 20-80g(Peel Speed 300mm/Minute)
 - 1.3 Taping Reel: Plastic
2. PACKING
 - 2.1 Quantity: 700 Piece/Reel 5600Piece/Outer Carton

UNLESS OTHERWISE SPECIFIED TOLERANCE				 www.attend.com.tw	
UNIT:	DECIMAL	LINEAR	ANGLES		
mm	X.	±0.50	±5°	DRAWN NAME: USB Type C Mid-Mount Receptacle 16 Pin Single Row, Water Proof IPX8, 3u", Reel	
	X.X	±0.25	±3°		
	X.XX	±0.12	±1°		
DRAWN	Fros	2023/11/17	DRAWN NAME:		
CHECKED	Tim	2023/11/17	PRODUCT NO. 217C-CB09		
APPROVED	Ken	2023/11/17	FILE NAME 217C-CB09_D_1		
SCALE 1/1		SHEET 1/1	SIZE A4		

REV.	DESCRIPTION	DRAWN	DATE
1	INITIAL RELEASE	FROS	2023/11/17



Material: silicone, gray
 Package: poly bag

UNLESS OTHERWISE SPECIFIED TOLERANCE				 www.attend.com.tw	
UNIT:	DECIMAL	LINEAR	ANGLES		
mm	X.	±0.50	±5°		
	X.X	±0.25	±3°		
	X.XX	±0.12	±1°		
DRAWN	Fros	2023/11/17	DRAWN NAME: O-Ring, Gray, Thickness 0.9mm		
CHECKED	Tim	2023/11/17			
APPROVED	Ken	2023/11/17	PRODUCT NO.	217-0008	
		SCALE 10/1	SHEET 1/1	SIZE A4	FILE NAME 217-0008_B_1