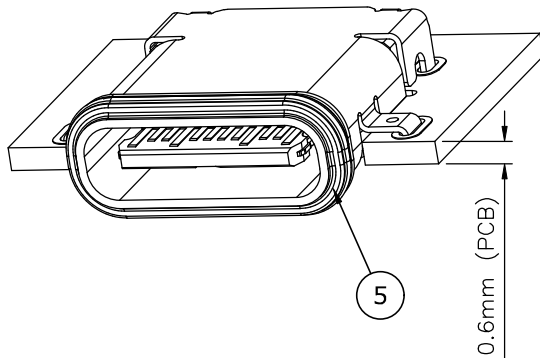
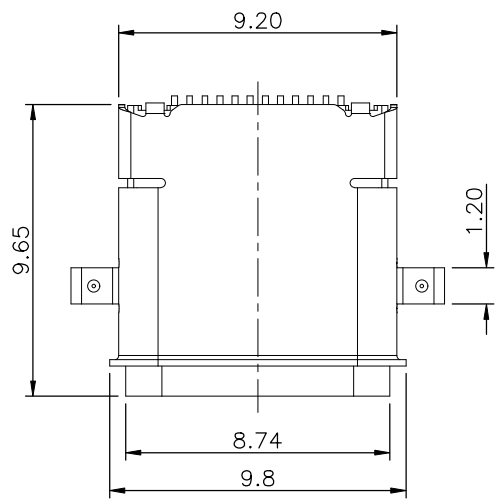
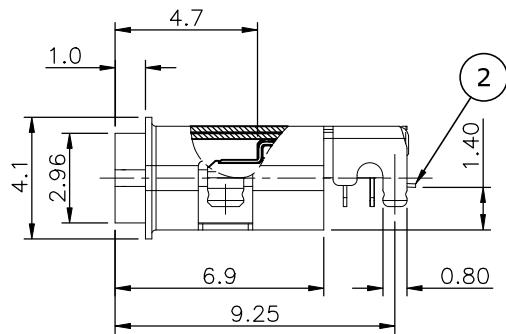
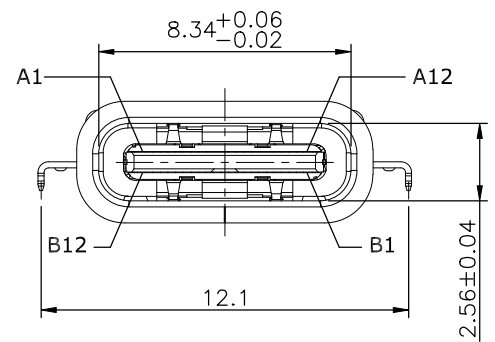


REV.	DESCRIPTION	DRAWN	DATE
1	INITIAL RELEASE	TIM	2023/10/17

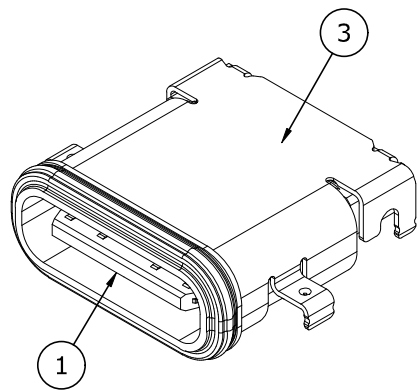
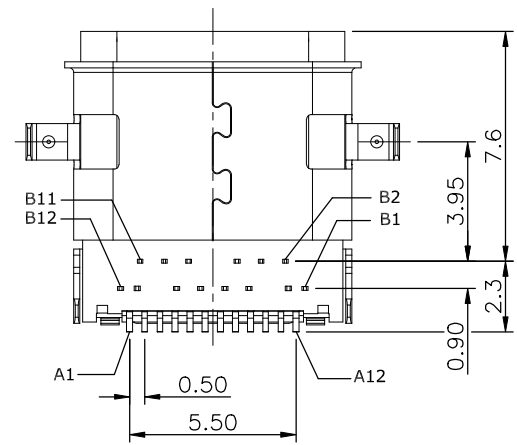


SPECIFICATION:

1. ELECTRICAL
 - 1.1 Current Rating: 5A (VBUS 1.5A, GND 1.25A Max. Other Pin 0.25A)
 - 1.2 Voltage Rating: 20V AC/DC
 - 1.3 Contact Resistance: 40mΩ
 - 1.4 Insulation Resistance: 100MΩ
 - 1.5 Dielectric Withstanding Voltage: 100VAC
2. MECHANICAL
 - 2.1 Durability: 10,000 Cycle
 - 2.2 Mating Force: 5N to 20N
 - 2.3 Un-mating Force: 8N to 20N
3. ENVIRONMENTAL
 - 3.1 Operating temperature range: -40°C to +85°C
 - 3.2 Storage temperature range: -40°C to +85°C
4. SOLDER ABILITY
 - 4.1 Recommended IR Reflow Temperature: 260°C



This part is a connector only, it should be used together with O-RING P/N:217-0007



5	Accessories	O-ring
4	EPOXY	EPOXY, Black
3	Shell	Stainless steel, Nickel plating
2	Contact	Copper , 15u"Gold plating over Nickel
1	Insulator	Thermoplastic, Black
NO.	PART NAME	DESCRIPTION

UNLESS OTHERWISE SPECIFIED TOLERANCE

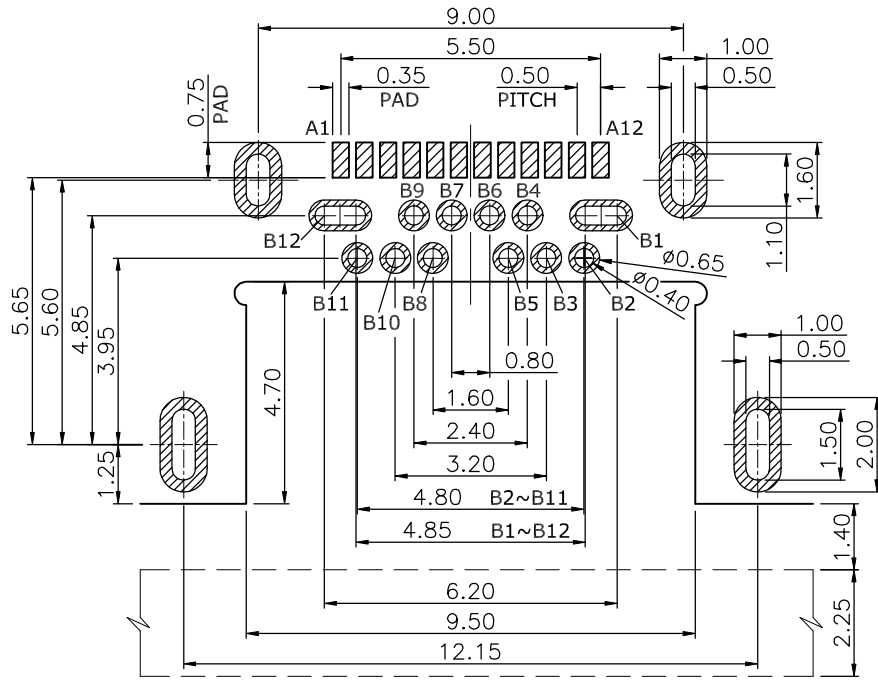
UNIT:	DECIMAL	LINEAR	ANGLES
mm	X.	±0.50	±5°
	X.X	±0.25	±3°
	X.XX	±0.12	±1°



www.attend.com.tw

DRAWN	Tim	2023/10/17	DRAWN NAME: USB Type C Mid-Mount Hybrid Receptacle Water Proof IP67, 15u", Reel	
CHECKED	Fros	2023/10/17		
APPROVED	Ken	2023/10/17	PRODUCT NO.	217C-AE05
SCALE	4/1	SHEET	1/3	SIZE
			A4	FILE NAME
				217C-AE05_B_1



REV.	DESCRIPTION	DRAWN	DATE
	see sheet one		



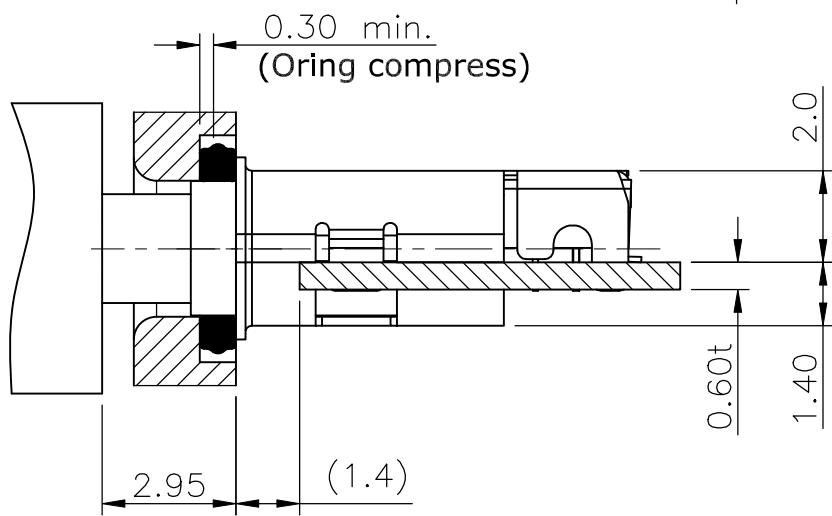
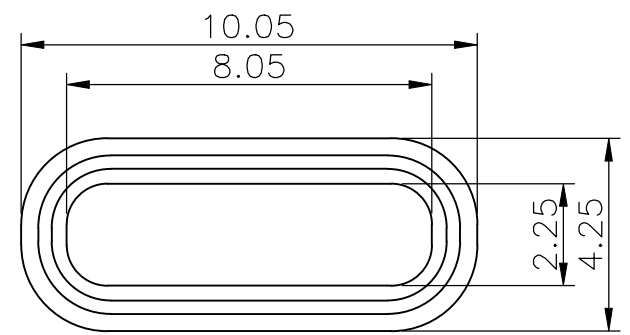
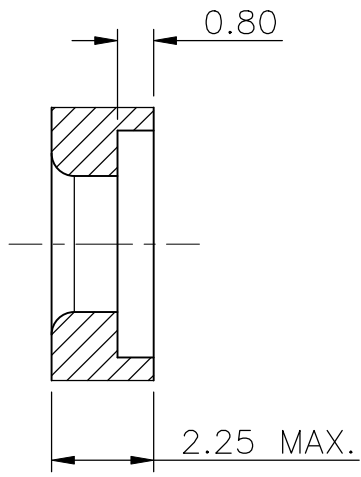
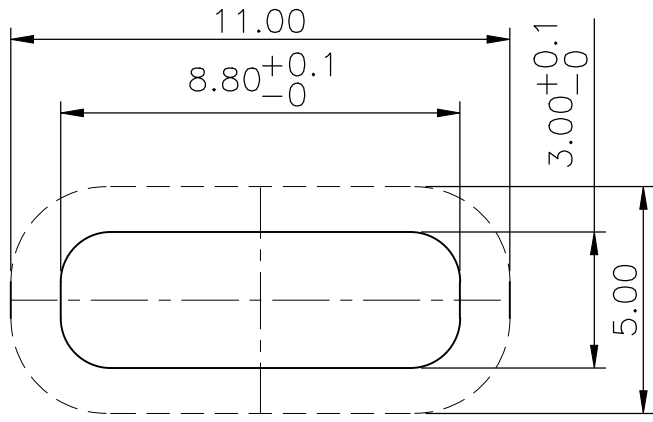
PIN ASSIGNMENTS:

PIN NUMBER	SIGNAL NAME	PIN NUMBER	SIGNAL NAME
A1	GND	B12	GND
A2	SSTXp1	B11	SSRXp1
A3	SSTXn1	B10	SSRXn1
A4	VBUS	B9	VBUS
A5	CC1	B8	SBU2
A6	Dp1	B7	Dn2
A7	Dn1	B6	Dp2
A8	SBU1	B5	CC2
A9	VBUS	B4	VBUS
A10	SSRXn2	B3	SSTXn2
A11	SSRXp2	B2	SSTXp2
A12	GND	B1	GND

RECOMMEND LAYOUT (TOP VIEW)
GENERAL TOLERANCE: ±0.05


UNLESS OTHERWISE SPECIFIED TOLERANCE				 www.attend.com.tw	
UNIT:	DECIMAL	LINEAR	ANGLES		
mm	X.	±0.50	±5°		
	X.X	±0.25	±3°		
	X.XX	±0.12	±1°		
DRAWN	Tim	2023/10/17	DRAWN NAME:		
CHECKED	Fros	2023/10/17	USB Type C Mid-Mount Hybrid Receptacle		
			Water Proof IP67, 15u", Reel		
APPROVED	Ken	2023/10/17	PRODUCT NO.	217C-AE05	
	SCALE	SHEET	SIZE	FILE NAME	
	6.25	2/3	A4	217C-AE05_B_1	

REV.	DESCRIPTION	DRAWN	DATE
	see sheet one		



ORING
Accessories

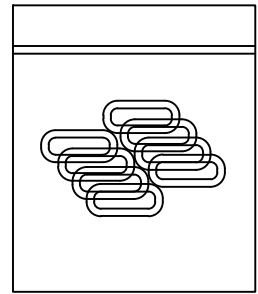
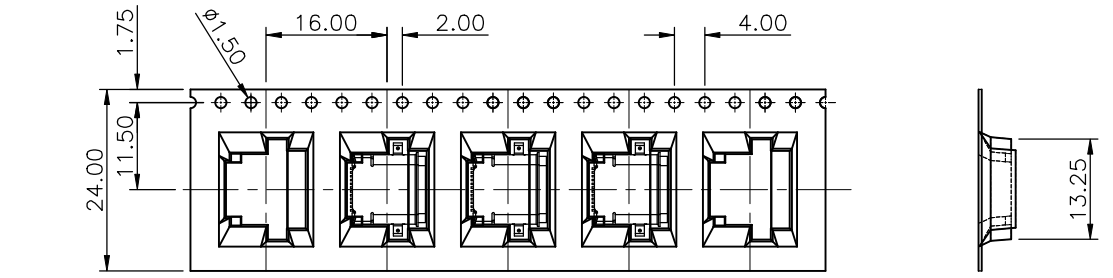
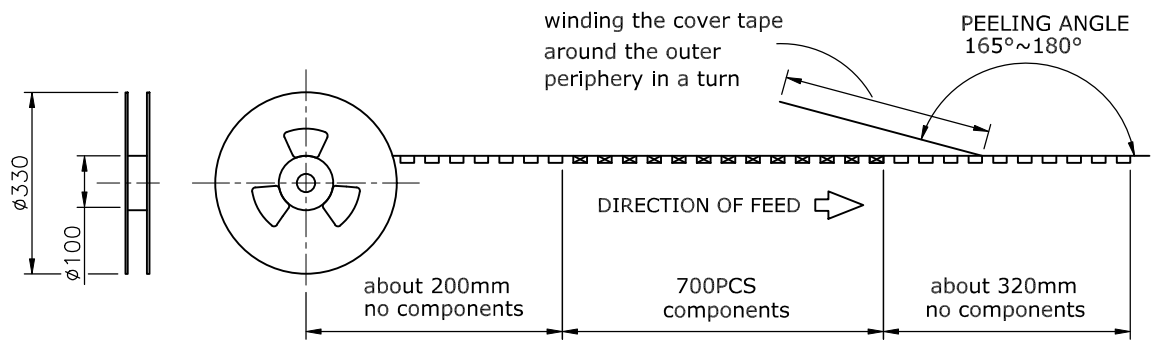
RECOMMEND PANEL CUT-OUT

UNLESS OTHERWISE SPECIFIED TOLERANCE					
UNIT:	DECIMAL	LINEAR	ANGLES		
mm	X.	±0.50	±5°		
	X.X	±0.25	±3°		
	X.XX	±0.12	±1°		
DRAWN	Tim	2023/10/17	DRAWN NAME:		
CHECKED	Fros	2023/10/17	USB Type C Mid-Mount Hybrid Receptacle		
APPROVED	Ken	2023/10/17	PRODUCT NO.	217C-AE05	
	SCALE	SHEET	SIZE	FILE NAME	
	6.25	3/3	A4	217C-AE05_B_1	

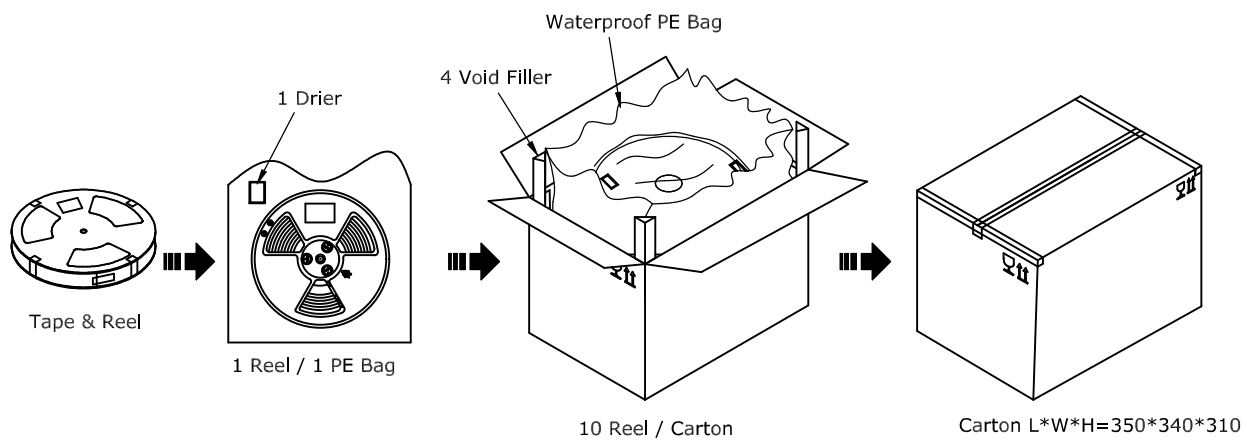
REV.	DESCRIPTION	DRAWN	DATE
1	INITIAL RELEASE	TIM	2023/12/06


PACKAGING SPECIFICATION:

1. MATERIAL
 - 1.1 Embossed Carrier Tape: PS Black
 - 1.2 Top Cover Tape: PET
20-80g(Peel Speed 300mm/Minute)
 - 1.3 Taping Reel: Plastic
2. PACKING
 - 2.1 Connector Quantity:
700 Piece/Reel
10 Reel/ Carton
7,000 Piece/ Carton
 - 2.2 Oring Quantity:
700 Piece/Bag
7,000 Piece/ Carton



700 pcs/bag
Oring Packaging



UNLESS OTHERWISE SPECIFIED TOLERANCE					
UNIT:	DECIMAL	LINEAR	ANGLES		
mm	X.	±0.50	±5°	www.attend.com.tw	
	X.X	±0.25	±3°		
	X.XX	±0.12	±1°		
DRAWN	Tim	2023/12/06	DRAWN NAME:		
CHECKED	Fros	2023/12/06	USB Type C Mid-Mount Hybrid Receptacle		
APPROVED	Ken	2023/12/06	PRODUCT NO.	217C-AE05	
SCALE	NA	SHEET 1/1	SIZE A4	FILE NAME	217C-AE05_D_1