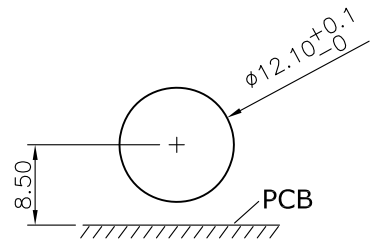


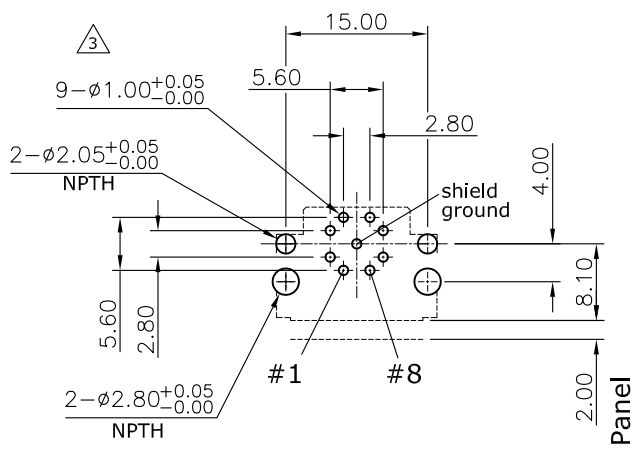
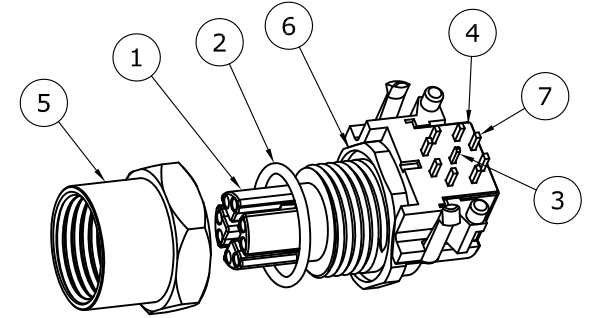
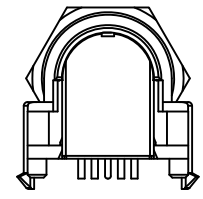
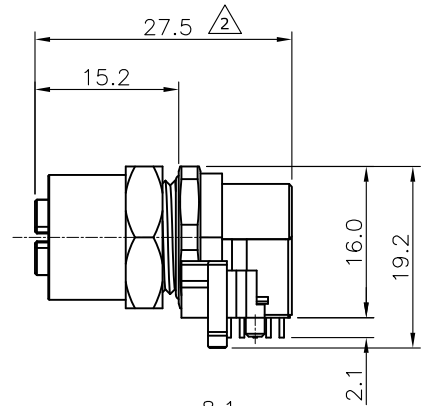
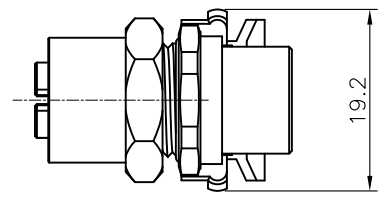
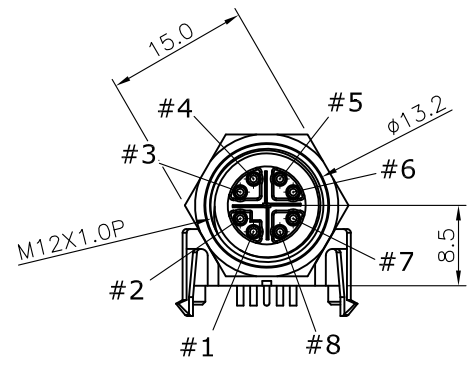
REV.	DESCRIPTION	DRAWN	DATE
1	Initial release	FROS	2020/02/05
2	27.2->27.5	FROS	2021/05/25
3	add dimension	FROS	2021/07/12

**SPECIFICATION:**

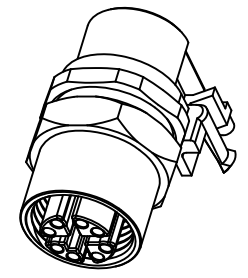
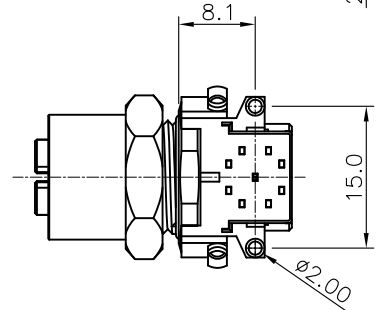
1. Current Rating: 0.5A
2. Voltage Rating: 50VAC/ 60VDC
3. Water proof: IPX7
4. Operation Temperature: -40°C TO 85°C



Recommend Panel Cut



Recommend Layout (top view)  
General Tolerance: ±0.05mm



8	Glue	Epoxy
7	CONTACT	Phosphor Bronze, gold plating over nickel
6	NUT	Brass, Nickel plating
5	SCREW	Brass, Nickel plating
4	PIN HOLDER	PBT, UL94V-0, Black
3	SHIELD	Brass, Nickel plating
2	ORING	EPDM/NBR, Black
1	HOUSING	PBT, UL94V-0, Black

NO.		PART NAME	DESCRIPTION
UNLESS OTHERWISE SPECIFIED TOLERANCE			
UNIT:	DECIMAL	LINEAR	ANGLES
	mm	X, X.X	±0.50 ±0.25 ±3°
		X, XX	±0.12 ±1°
DRAWN		Fros	2019/12/06
CHECKED		Tim	2019/12/06
APPROVED		Ken	2019/12/06
SCALE		SHEET	SIZE
1.25		1/1	A4
DRAWN NAME:		M12 X- Code Receptacle, 8Pin Female R/A DIP Type Front Fastened	
PRODUCT NO.		216X-08FRF	
FILE NAME		216X-08FRF_B_3	



www.attend.com.tw