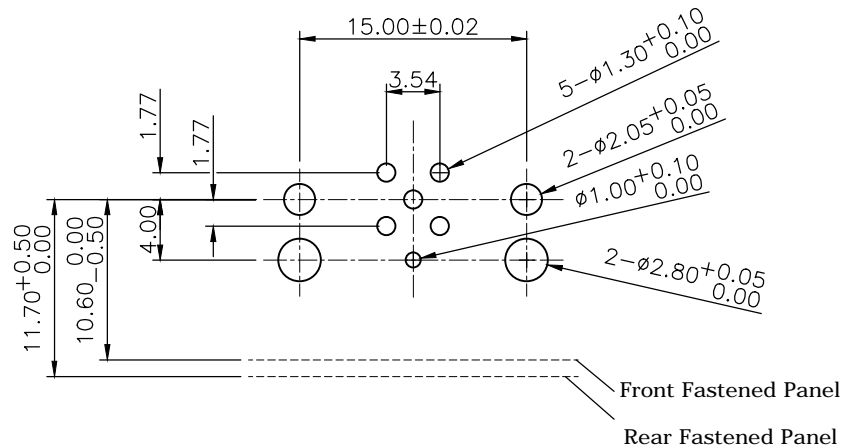
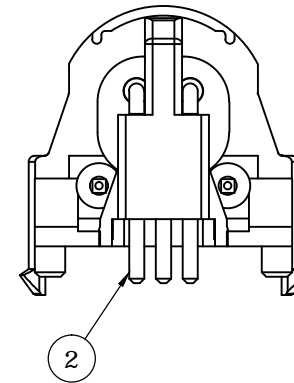
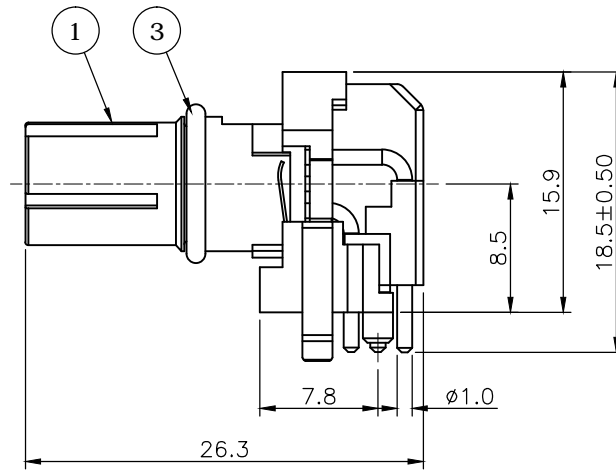
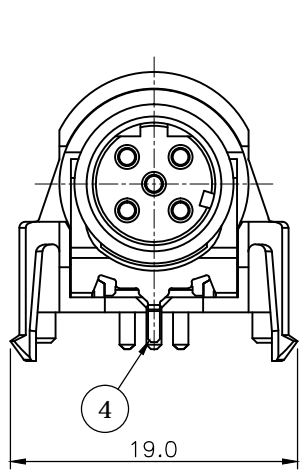


|      |                 |       |            |
|------|-----------------|-------|------------|
| REV. | DESCRIPTION     | DRAWN | DATE       |
| 1    | INITIAL RELEASE | FROS  | 2025/06/10 |

NOTES:

1. Rated current: 4A
2. Rated voltage: 60V
3. Operation temperature: -40°C to +85°C



| 4                                    | GROUND    | Phosphor bronze, nickel plated        |               |  |      |    |           |                |
|--------------------------------------|-----------|---------------------------------------|---------------|--|------|----|-----------|----------------|
| 3                                    | ORING     | VITON                                 |               |  |      |    |           |                |
| 2                                    | CONTACT   | Brass, Gold flash plating over Nickel |               |  |      |    |           |                |
| 1                                    | HOUSING   | PA9T, UL94V-0, Black                  |               |  |      |    |           |                |
| NO.                                  | PART NAME | DESCRIPTION                           |               |  |      |    |           |                |
| UNLESS OTHERWISE SPECIFIED TOLERANCE |           |                                       |               |  |      |    |           |                |
| UNIT:                                | DECIMAL   | LINEAR                                | ANGLES        |  |      |    |           |                |
| mm                                   | X.        | $\pm 0.50$                            | $\pm 5^\circ$ |  |      |    |           |                |
|                                      | X.X       | $\pm 0.25$                            | $\pm 3^\circ$ |  |      |    |           |                |
|                                      | X.XX      | $\pm 0.12$                            | $\pm 1^\circ$ |  |      |    |           |                |
| DRAWN                                |           | Fros                                  | 2025/06/10    | DRAWN NAME:<br>M12 Two Piece Insert, D-Code,<br>5Pin Female R/A DIP Type |      |    |           |                |
| CHECKED                              |           | Tim                                   | 2025/06/10    |  |      |    |           |                |
| APPROVED                             |           | Ken                                   | 2025/06/10    | PRODUCT NO. 216D-05FRA   |      |    |           |                |
| SCALE                                |           | 2/1                                   | SHEET         | 1/1  | SIZE | A4 | FILE NAME | 216D-05FRA_B_1 |



www.attend.com.tw