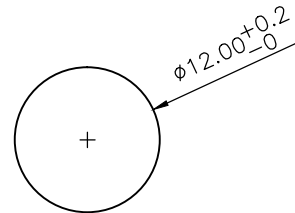
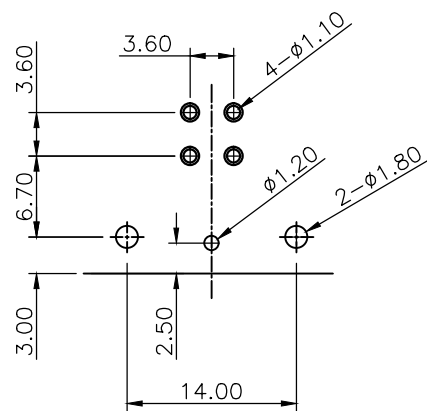
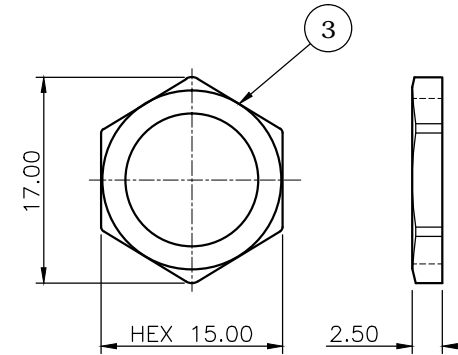
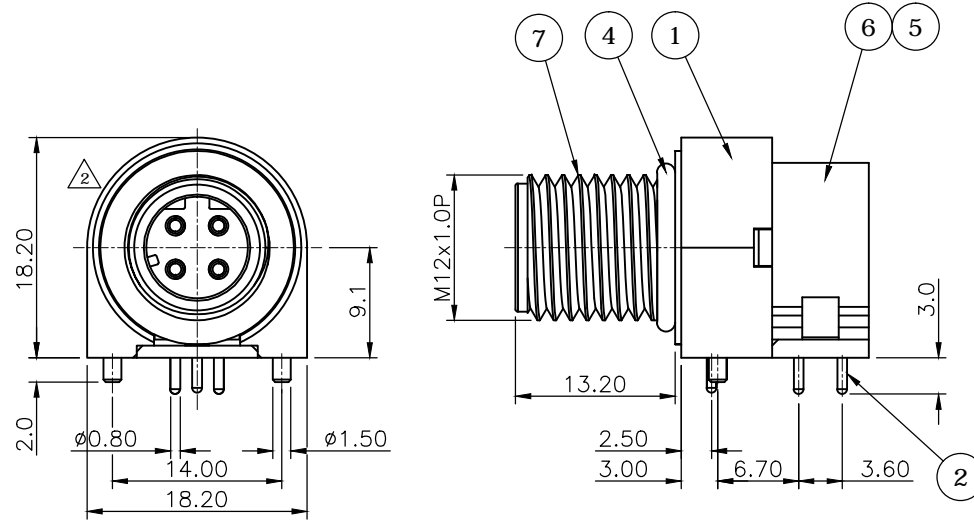


REV.	DESCRIPTION	DRAWN	DATE
1	INITIAL RELEASE	TIM	2019/12/06
2	ECR230322001	TIM	2023/03/22

SPECIFICATION:

1. Current Rating: 4A
2. Voltage Rating: 250V
3. Water proof: IPX7
4. Operating temperature range: -40°C~+85°C



RECOMMENDED LAYOUT (TOP VIEW)
GENERAL TOLERANCE: ±0.05

PANEL CUT OUT

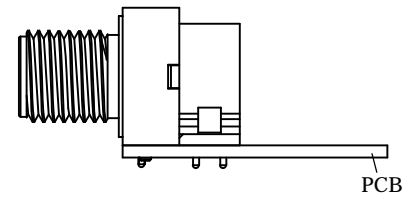
7	SHELL	Brass, Nickel plating
6	BASE	PBT, UL94V-0, Black
5	BACK HOUSING	PBT, UL94V-0, Black
4	O-RING	EPDM, Black
3	NUT	Brass, Nickel plating
2	CONTACT	Brass, Gold plating over Nickel
1	COVER	PBT, UL94V-0, Black

NO.		PART NAME		DESCRIPTION	
UNLESS OTHERWISE SPECIFIED TOLERANCE					
UNIT:	DECIMAL	LINEAR	ANGLES		
	X.	±0.50	±5°		
	X.X	±0.25	±3°		
	X.XX	±0.12	±1°		
WWW.ATTEND.COM.TW					
DRAWN	Tim	2019/12/06	DRAWN NAME:		
CHECKED	Fros	2019/12/06	M12 D- Code Receptacle, 4Pin Male R/A DIP Front Fastened		
APPROVED	Ken	2019/12/06	PRODUCT NO.	216D-04MRF	
SCALE	1.6	SHEET	1/1	SIZE	A4
FILE NAME		216D-04MRF_B_2			

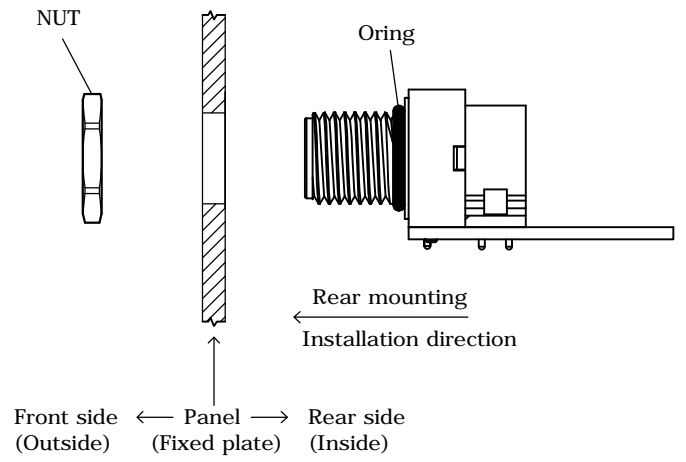


REV.	DESCRIPTION	DRAWN	DATE
------	-------------	-------	------

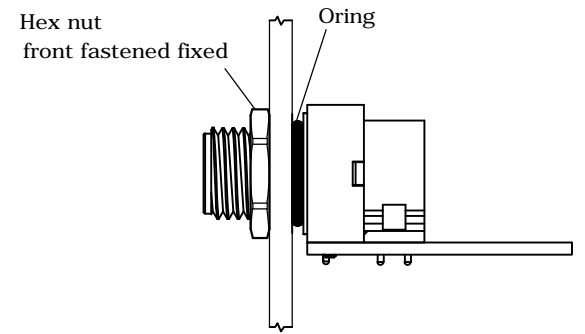
1. Soldering Board


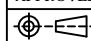


2. Installation Direction



3. Connector Mated to Panel Mount



UNLESS OTHERWISE SPECIFIED TOLERANCE				 WWW.ATTEND.COM.TW	
UNIT:	DECIMAL	LINEAR	ANGLES		
mm	X.	±0.50	±5°		
	X.X	±0.25	±3°		
	X.XX	±0.12	±1°		
DRAWN	Tim	2025/02/25	DRAWN NAME:		
CHECKED	Fros	2025/02/25	M Series For Male R/A DIP Front Fastened Design Guide		
APPROVED	Ken	2025/02/25	PRODUCT NO.		
	SCALE	SHEET	SIZE	FILE NAME	M Series MRF_DG
	1/1	A4			