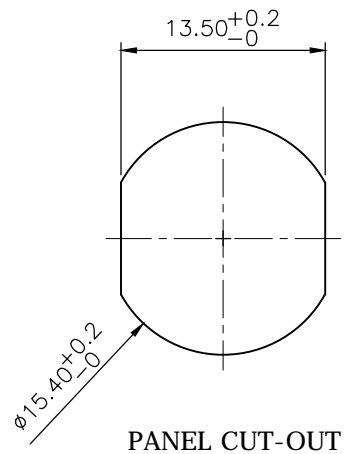
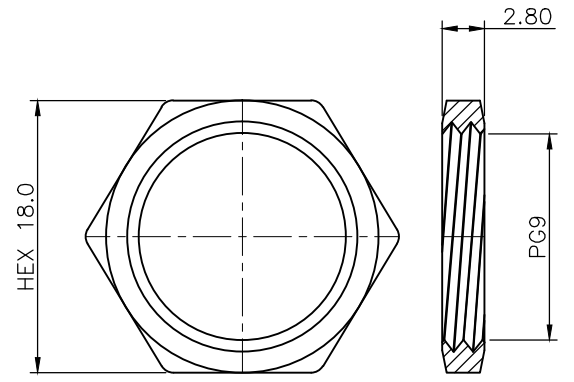
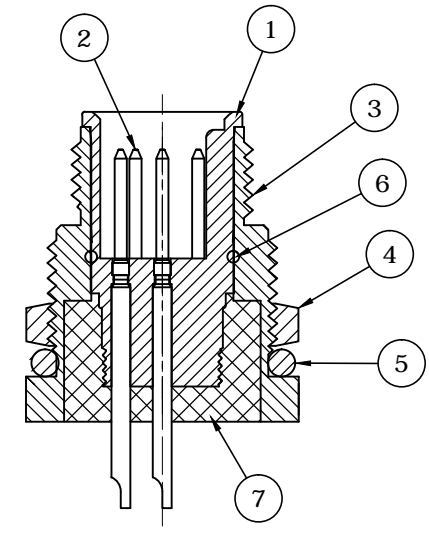
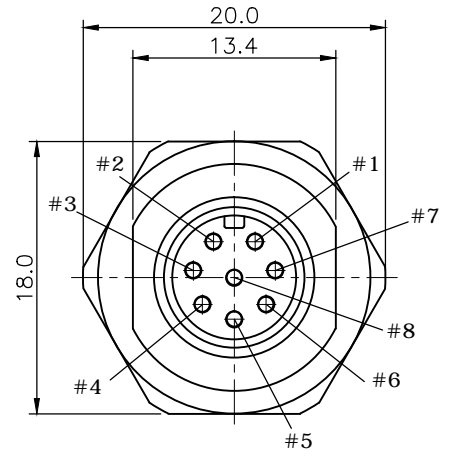
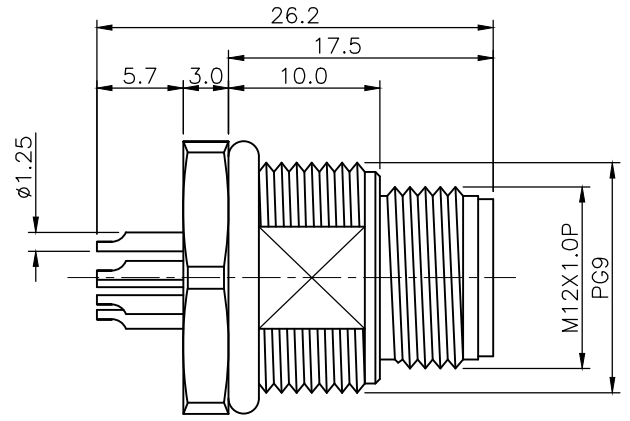


REV.	DESCRIPTION	DRAWN	DATE
1	INITIAL RELEASE	FROS	2017/10/18
2	ECR220421001	TIM	2022/04/21

SPECIFICATION:

1. Current Rating: 2A
2. Voltage Rating: 30V
3. Waterproof: IPX7
4. Operating temperature range: -40°C~+85°C



PANEL CUT-OUT

7	EPOXY BASE	Epoxy, Black
6	O-RING A	Silicone, Black
5	O-RING B	EPDM, Black
4	NUT	Brass, Nickel plating
3	SHELL	Brass, Nickel plating
2	CONTACT	Brass, 10u" Gold plating over Nickel
1	HOUSING	PBT, UL94V-0, Black

NO.	PART NAME	DESCRIPTION					
UNLESS OTHERWISE SPECIFIED TOLERANCE							
UNIT:	DECIMAL	LINEAR	ANGLES				
mm	X.	±0.50	±5°				
	X.X	±0.25	±3°				
	X.XX	±0.12	±1°				
DRAWN	Fros	2017/10/18	DRAWN NAME:				
CHECKED	Tim	2017/10/18	M12 A-Code Receptacle, 8Pin Male Solder Type Front Fastened				
APPROVED	Ken	2017/10/18	PRODUCT NO. 216A-08MAF				
SCALE	2/1	SHEET	1/1	SIZE	A4	FILE NAME	216A-08MAF_B_2



www.attend.com.tw